

PLEASE CHECK WWW.MOLEX.COM FOR LATEST PART INFORMATION

Part Number: [0442810001](#)
Status: **Active**
Description: 4.20mm (.165") Pitch Mini-Fit® Test Plug, Dual Row, 4 Circuits

Documents:

[3D Model](#) [Product Specification PS-44281-001 \(PDF\)](#)
[Drawing \(PDF\)](#) [RoHS Certificate of Compliance \(PDF\)](#)

General

| | |
|-----------------------------|-------------------------------|
| Product Family | PCB Headers |
| Series | 44281 |
| Application | Board-to-Board, Wire-to-Board |
| Product Literature Order No | USA-053 |
| Product Name | Mini-Fit® |

Physical

| | |
|--------------------------------|-----------------|
| Breakaway | No |
| Circuits (Loaded) | 4 |
| Circuits (maximum) | 4 |
| Durability (mating cycles max) | 10,000 |
| First Mate / Last Break | No |
| Glow-Wire Compliant | No |
| Guide to Mating Part | No |
| Keying to Mating Part | None |
| Lock to Mating Part | Yes |
| Material - Plating Mating | Gold |
| Number of Rows | 2 |
| Orientation | Vertical |
| PC Tail Length (in) | 0.250 In |
| PC Tail Length (mm) | 6.35 mm |
| PCB Locator | No |
| PCB Retention | None |
| Packaging Type | Bag |
| Pitch - Mating Interface (in) | 0.165 In |
| Pitch - Mating Interface (mm) | 4.20 mm |
| Pitch - Term. Interface (in) | 0.165 In |
| Pitch - Term. Interface (mm) | 4.20 mm |
| Polarized to Mating Part | Yes |
| Polarized to PCB | No |
| Shrouded | Fully |
| Stackable | No |
| Surface Mount Compatible (SMC) | No |
| Temperature Range - Operating | -40°C to +105°C |
| Termination Interface: Style | Through Hole |

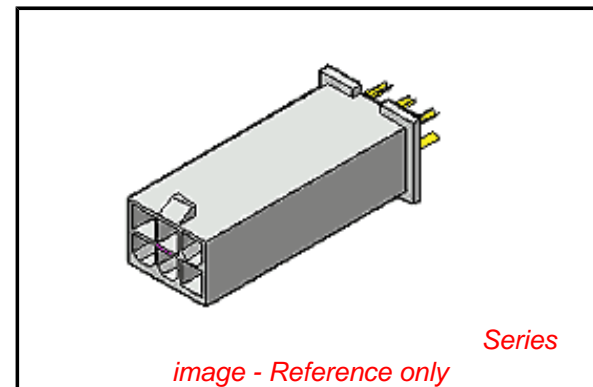
Electrical

| | |
|-------------------------------|------|
| Current - Maximum per Contact | 2.5A |
| Voltage - Maximum | 600V |

Material Info

Reference - Drawing Numbers

| | |
|-----------------------|--------------|
| Product Specification | PS-44281-001 |
| Sales Drawing | SD-44281-001 |



EU RoHS

**ELV and RoHS
Compliant**
**REACH SVHC
Not Reviewed**
**Halogen-Free
Status
Not Reviewed**

China RoHS



**Need more information on product
environmental compliance?**

Email productcompliance@molex.com
 For a multiple part number RoHS Certificate of
 Compliance, [click here](#)

Please visit the [Contact Us](#) section for any
 non-product compliance questions.

Search Parts in this Series

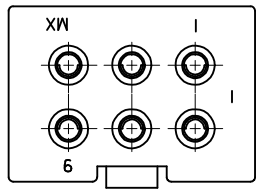
44281Series

Mates With

42474 , 44516 , 5557d

This document was generated on 04/21/2010

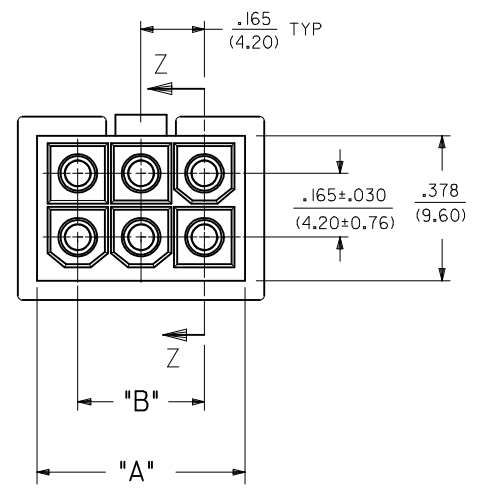
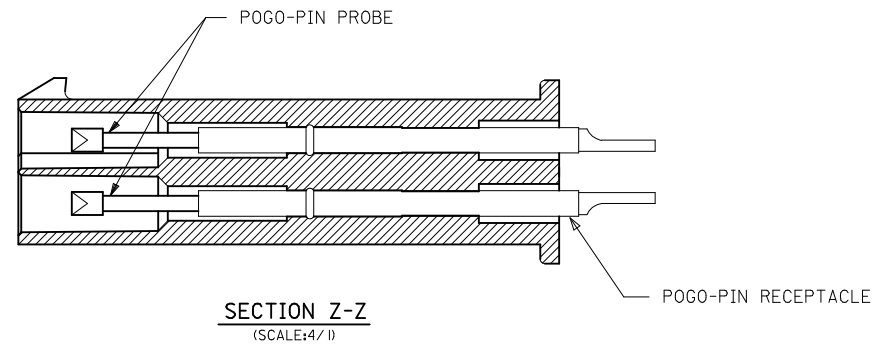
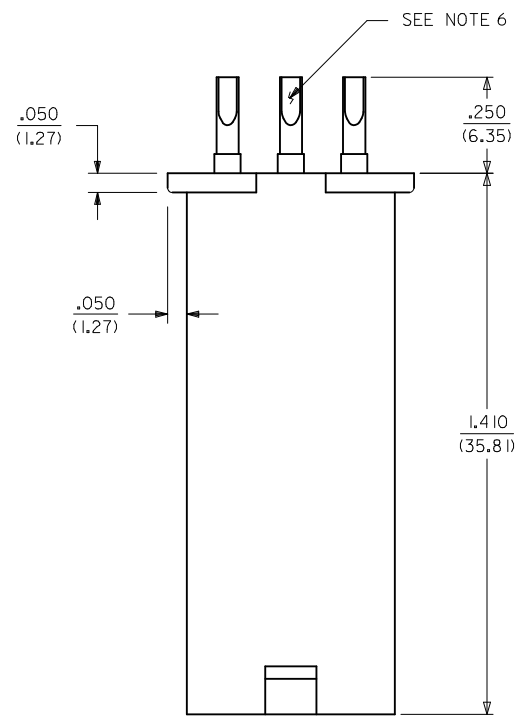
PLEASE CHECK WWW.MOLEX.COM FOR LATEST PART INFORMATION



NOTES:

1. MATERIAL:
HOUSING: 4/6 NYLON, 30% GLASS FILLED,COLOR BLACK.
POGO-PIN PROBE:HEAT TREATED BERYLLIUM COPPER.
POGO-PIN RECEPTACLE:WORK-HARDENED NICKEL SILVER.
2. FINISH:
POGO-PIN PROBE:GOLD PLATED OVER HARD NICKEL.
POGO-PIN RECEPTACLE:GOLD PLATED OVER HARD NICKEL.
3. PRODUCT SPECIFICATION: PS-44281-001.
4. THIS PART MATES WITH RECEPTACLE 5557.
5. PRODUCT IS INTENDED FOR LOW LEVEL CONTINUITY TESTING ONLY.
6. SOLDER CUP WILL ACCEPT 22-26 GAUGE WIRE.

| MATERIAL NUMBER | CIRCUIT NUMBER | DIM. "A" | DIM. "B" |
|-----------------|----------------|---------------|---------------|
| 44281-0001 | 4 | .378/(9.60) | .165/(4.20) |
| 44281-0002 | 6 | .543/(13.80) | .331/(8.40) |
| 44281-0003 | 8 | .709/(18.00) | .496/(12.60) |
| 44281-0004 | 10 | .874/(22.20) | .661/(16.80) |
| 44281-0005 | 12 | 1.039/(26.40) | .827/(21.00) |
| 44281-0006 | 14 | 1.205/(30.60) | .992/(25.20) |
| 44281-0007 | 16 | 1.370/(34.80) | 1.157/(29.40) |
| 44281-0008 | 18 | 1.535/(39.00) | 1.323/(33.60) |
| 44281-0009 | 20 | 1.701/(43.20) | 1.488/(37.80) |
| 44281-0010 | 22 | 1.866/(47.40) | 1.654/(42.00) |
| 44281-0011 | 24 | 2.031/(51.60) | 1.819/(46.20) |
| 44281-0012 | 36 | 3.023/(76.80) | 2.811/(71.40) |
| 44281-0013 | 40 | 3.353/(85.20) | 3.142/(79.80) |



| | | | | | | | |
|---|-----------------------------------|---|---|---|------------------------------|------------------------|------------------------|
| CORRECT CHART EC NO: UCP2010-0584 DRWN: JAGUILAR 2009/09/14 CHKD: J BELL 2009/09/14 APPR: F SMITH 2009/09/15 | QUALITY SYMBOLS ▽=0 ▽=0 | GENERAL TOLERANCES (UNLESS SPECIFIED) | | DIMENSION STYLE IN/MM | SCALE 4:1 | DESIGN UNITS METRIC | THIRD ANGLE PROJECTION |
| | | 4 PLACES ± --- ± --- 3 PLACES ± --- ± .010 2 PLACES ± 0.25 ± .014 1 PLACE ± 0.35 ± --- | mm INCH DRAWN BY DATE A.GUZIK 98/11/02 CHECKED BY DATE EDGLEY 98/11/03 APPROVED BY DATE EDGLEY 98/11/03 | TITLE MINI-FIT 4-24 36 AND 40 CIRCUIT TEST PLUG ASSEMBLY | | | |
| B1 | DESCRIPTION TEST PLUG ASSEMBLY | ANGULAR ±1/2° | | MATERIAL NO. SEE CHART | DOCUMENT NO. SD-44281-001 | MOLEX INCORPORATED | |
| DRAFT WHERE APPLICABLE MUST REMAIN WITHIN DIMENSIONS | | SIZE THIS DRAWING CONTAINS INFORMATION THAT IS PROPRIETARY TO MOLEX INCORPORATED AND SHOULD NOT BE USED WITHOUT WRITTEN PERMISSION | | SHEET NO. 1 OF 1 | | MOLEX INCORPORATED | |