

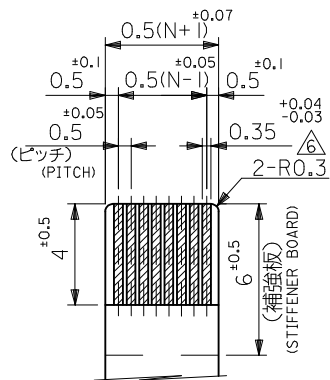
注記 NOTES

1. 使用材料 : MATERIAL  
 ハウジング : 46ナイロン, UL94V-0  
 HOUSING : 46NYLON  
 アクチュエータ : PPS, UL94V-0  
 ACTUATOR  
 ターミナル : リン青銅, 半田メッキ (t=0.2)  
 TERMINAL : PHOS-BRO.TIN-LEAD  
 金具 : リン青銅, 半田メッキ (t=0.2)  
 FITTING NAIL : PHOS-BRO.TIN-LEAD
2. エンボステープ梱包時は、アクチュエータがロックした状態とする。  
 IN THE PACKAGE, ACTUATOR OF PART NO.52435-\*\*27 SHOULD BE LOCKED.
- △ ソルダータール半田付け面のスレ量、及び金具半田付け面のスレ量は、基準面 H に対し上方向 0.1 MAX. , 下方向 0.15MAX. とする。  
 MISALIGNMENT OF SOLDER TAILS AND FITTING NAILS FROM H  
 UPPER DIRECTION: 0.1 MAX. , LOWER DIRECTION: 0.15MAX.
- △ 偶数極に適用。  
 APPLY FOR EVEN CIRCUIT.
- △ パターンはくり止め用金具。  
 FITTING NAIL FOR PREVENTION OF PEELING OF P.C.B. PATTERN.
- △ R.O. 3は、FPCの導体部にかからないこと。  
 R.O.3 MUST NOT BE OVERLAPPED TO PATTERN OF FPC.
7. ソルダータールの平坦度は、0.1 MAXIMUM とする。  
 SOLDER TAIL COPLANARITY IS 0.1 MAXIMUM.

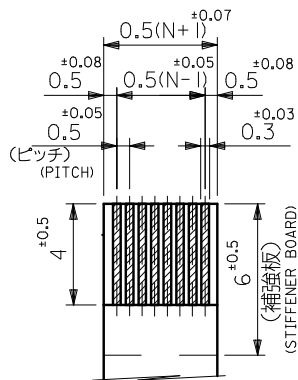
MODEL NO. 52435-\*\*27

|   |                                       |            |   |                              |   |                        |
|---|---------------------------------------|------------|---|------------------------------|---|------------------------|
| REVISED<br>EC NO: J2014-0101<br>DRWN: TMORISHITA 2013/08/05<br>CHKD: KAKAHASHI 2013/08/05<br>APPR: YNOGAWA 2013/09/09 | GENERAL TOLERANCES (UNLESS SPECIFIED) |            | DIMENSION STYLE<br>MM ONLY  | SCALE<br>---                 | DESIGN UNITS<br>METRIC  | THIRD ANGLE PROJECTION |
|   | 10 UNDER                              | ± 0.2      | DRAWN BY<br>SKAJINUMA   | DATE<br>91/10/31             | TITLE<br><b>0.5 FPC CONN ZIF FOR SMT<br/>                 R/A (UPPER CONTACT)</b> |                        |
|   | 10 OVER 30 UNDER                      | ± 0.25     | CHECKED BY<br>MFUKUSHIMA  | DATE<br>97/07/15             |   |                        |
|   | 30 OVER                               | ± 0.3      | APPROVED BY<br>MFUKUSHIMA   | DATE<br>97/07/15             |   |                        |
|   | ANGULAR ± 3 °                         |            | MATERIAL NO.<br>SEE SHEET 2   | DOCUMENT NO.<br>SD-52435-018 |   |                        |
| DRAFT WHERE APPLICABLE MUST REMAIN WITHIN DIMENSIONS  |                                       | SIZE<br>A3 | THIS DRAWING CONTAINS INFORMATION THAT IS PROPRIETARY TO MOLEX INCORPORATED AND SHOULD NOT BE USED WITHOUT WRITTEN PERMISSION |                              |   |                        |

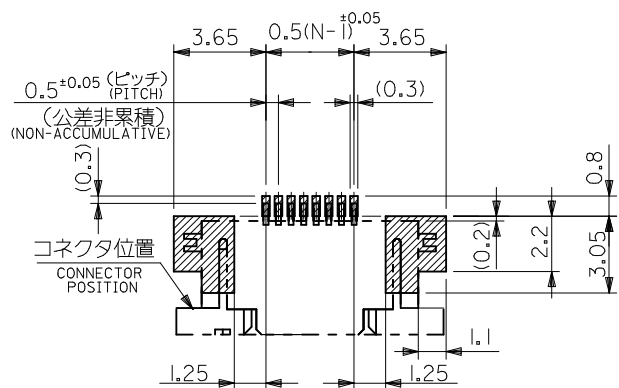
10 9 8 7 6 5 4 3 2 1



適合FPC推奨寸法  
APPLICABLE FPC  
RECOMMENDED DIMENSION.  
(仕上がり厚さ:  $0.3 \pm 0.05$ )  
(THICKNESS:  $0.3 \pm 0.05$ )



適合FFC推奨寸法  
APPLICABLE FFC  
RECOMMENDED DIMENSION.  
(仕上がり厚さ:  $0.3 \pm 0.05$ )  
(THICKNESS:  $0.3 \pm 0.05$ )

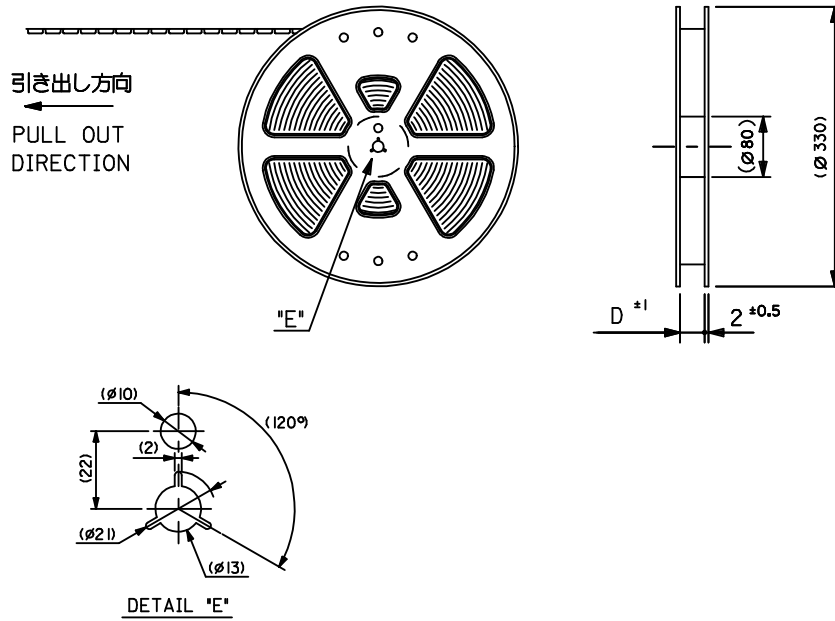


参考基板レイアウト  
(マウント面)  
RECOMMENDED P.C. BOARD  
PATTERN DIMENSION (REF.)  
(MOUNTING SIDE)

|      |      |       |      |            |    |
|------|------|-------|------|------------|----|
| 21.6 | 19.6 | 15.65 | 14.5 | 52435-3027 | 30 |
| 21.1 | 19.1 | 15.15 | 14.0 | -2927      | 29 |
| 20.6 | 18.6 | 14.65 | 13.5 | -2827      | 28 |
| 20.1 | 18.1 | 14.15 | 13.0 | -2727      | 27 |
| 19.6 | 17.6 | 13.65 | 12.5 | -2627      | 26 |
| 18.6 | 16.6 | 12.65 | 11.5 | -2427      | 24 |
| 18.1 | 16.1 | 12.15 | 11.0 | -2327      | 23 |
| 17.6 | 15.6 | 11.65 | 10.5 | -2227      | 22 |
| 16.6 | 14.6 | 10.65 | 9.5  | -2027      | 20 |
| 16.1 | 14.1 | 10.15 | 9.0  | -1927      | 19 |
| 15.6 | 13.6 | 9.65  | 8.5  | -1827      | 18 |
| 15.1 | 13.1 | 9.15  | 8.0  | -1727      | 17 |
| 14.6 | 12.6 | 8.65  | 7.5  | -1627      | 16 |
| 14.1 | 12.1 | 8.15  | 7.0  | -1527      | 15 |
| 13.6 | 11.6 | 7.65  | 6.5  | -1427      | 14 |
| 13.1 | 11.1 | 7.15  | 6.0  | -1327      | 13 |
| 12.6 | 10.6 | 6.65  | 5.5  | -1227      | 12 |
| 12.1 | 10.1 | 6.15  | 5.0  | -1127      | 11 |
| 11.6 | 9.6  | 5.65  | 4.5  | -1027      | 10 |
| 11.1 | 9.1  | 5.15  | 4.0  | -0927      | 9  |
| 10.6 | 8.6  | 4.65  | 3.5  | -0827      | 8  |
| 10.1 | 8.1  | 4.15  | 3.0  | -0727      | 7  |
| 9.6  | 7.6  | 3.65  | 2.5  | 52435-0627 | 6  |

|   |  |  |                            |          |  |              |   |            |                           |    |
|---|--|--|----------------------------|----------|--|--------------|---|------------|---------------------------|----|
| REVISED<br>EC NO.: J2014-0101<br>DRWN: TMORISHITA 2013/08/05<br>CHKD: TAKAHASHI 2013/08/05<br>APPR: YNOGAWA 2013/09/09<br>REV J | MODEL NO.                                | 52435-***27  | D                          | C        | B  | (A)          | MATERIAL NO.                                    | 52435-0627 | 6                         | 極致 |
|   | GENERAL TOLERANCES<br>(UNLESS SPECIFIED) |  | DIMENSION STYLE<br>MM ONLY |          | SCALE<br>---   |              | DESIGN UNITS<br>METRIC                          |            | THIRD ANGLE<br>PROJECTION |    |
|   | 10 UNDER                                 | ±0.2   | DRAWN BY                   | DATE     | TITLE  |              | 0.5 FPC CONN ZIF FOR SMT<br>R/A (UPPER CONTACT) |            |                           |    |
|   | 10 OVER 30 UNDER                         | ±0.25  | SKAJINUMA                  | 91/10/31 | SEE CHART  |              | <b>molex</b>                                    |            |                           |    |
|   | 30 OVER                                  | ±0.3   | CHECKED BY                 | DATE     |  |              |   |            |                           |    |
| ANGULAR ±3 °  |  | DRAFT WHERE APPLICABLE<br>MUST REMAIN<br>WITHIN DIMENSIONS | APPROVED BY                |          | DATE   | DOCUMENT NO. |   | SHEET NO.  |                           |    |
|   |  |  | MFUKUSHIMA                 |          | 97/07/15   | SD-52435-018 |   | 2 OF 2     |                           |    |
|   |  |  | MATERIAL NO.               |          | THIS DRAWING CONTAINS INFORMATION THAT IS PROPRIETARY TO MOLEX<br>INCORPORATED AND SHOULD NOT BE USED WITHOUT WRITTEN PERMISSION |              |   |            |                           |    |

9 8 7 6 5 4 3 2

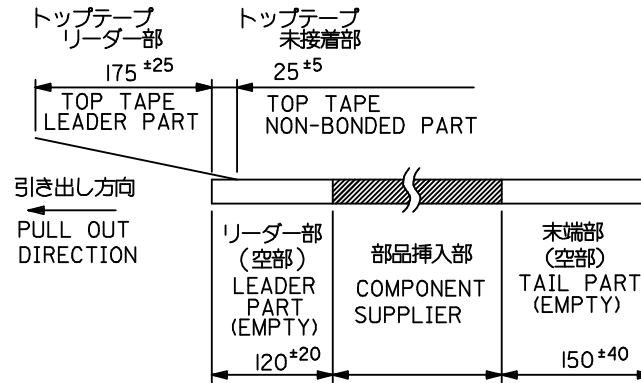


### 5. 材料 (MATERIAL)

キャリアテープ (CARRIER TAPE): ポリプロピレン (POLYPROPYLENE)  
 トップテープ (TOPTAPE): PET, PE, PEF  
 リール (REEL): ポリスチレン (PS) <リサイクル材を含む>  
 POLYSTYREN (PS) <RECYCLE MATERIAL CONTAINED>

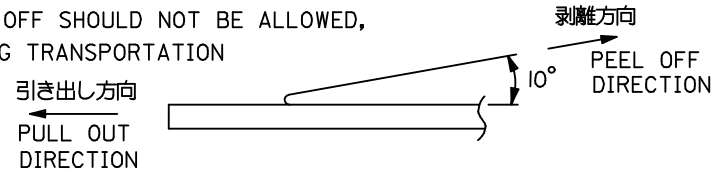
### 注記 NOTES

- 製品番号 52435-\*\*\*27 の梱包状態はアクチュエータがロックした状態とする。  
 詳細寸法については図面 SD-52435-018 を参照下さい。  
 IN THE PACKAGE, ACTUATOR OF PART NO. 52435-\*\*\*27 SHOULD BE LOCKED  
 RE DETAILED DIMENSIONS, SEE SD-52435-018
- 梱包数量: 1000個/リール  
 NUMBER OF CONNECTORS: 1000PCS/REEL
- リードテープ長さ LEAD TAPE LENGTH

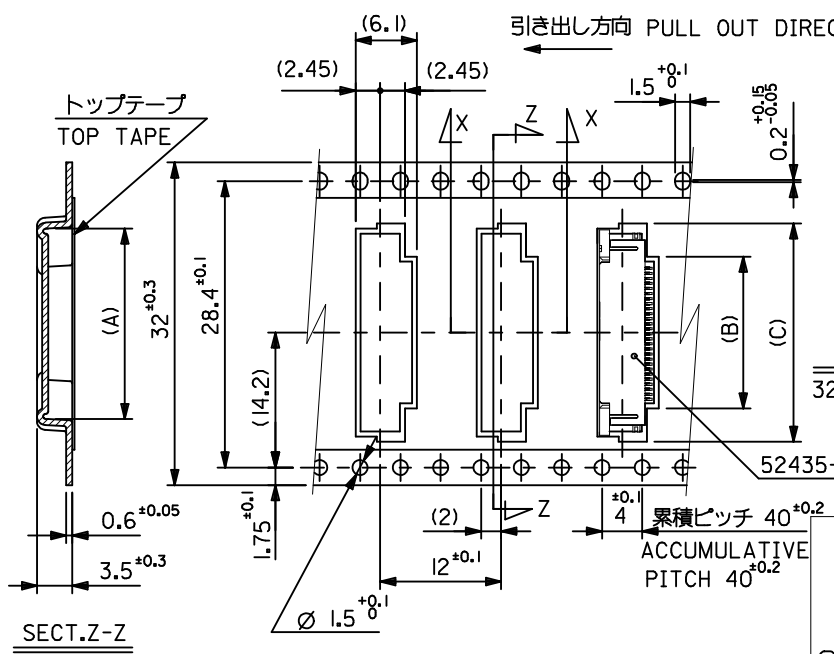
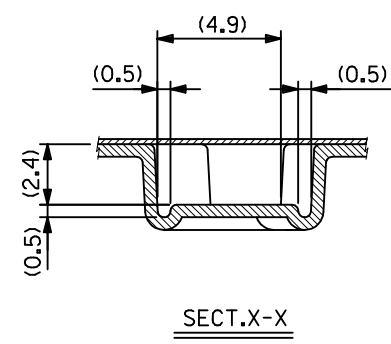
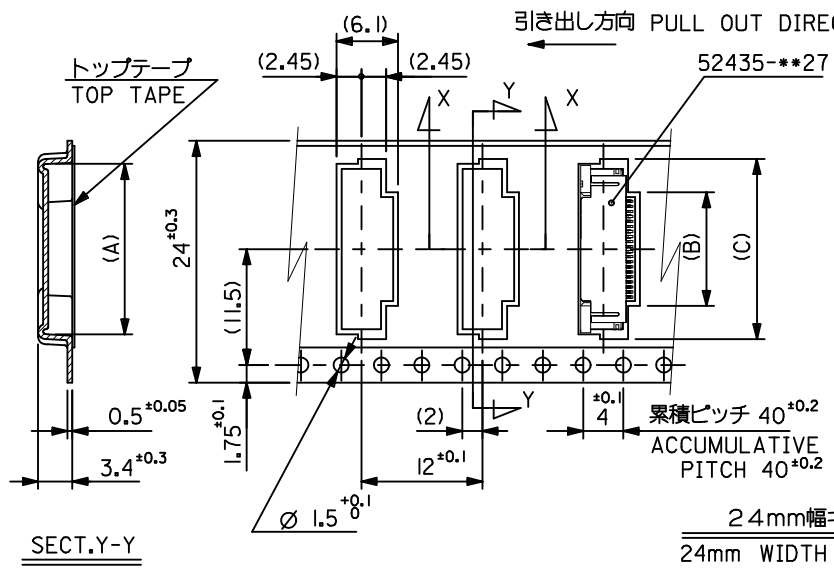


- トップテープの剥離強度: (剥離方向は下図参照)  
 0.1N ~ 0.7N (10.2gf ~ 71.4gf) 尚、本規格値は、出荷時に適用。  
 (但し、輸送時に剥離が発生しない事。)

PEELING OFF FORCE OF TOP TAPE  
 0.1N ~ 0.7N (10.2gf ~ 71.4gf) (PEELING DIRECTION AS SHOWN IN FOLLOWING FIG.)  
 THIS REQUIREMENT SHOULD BE APPLIED AT SHIPMENT  
 PEEL OFF SHOULD NOT BE ALLOWED,  
 DURING TRANSPORTATION



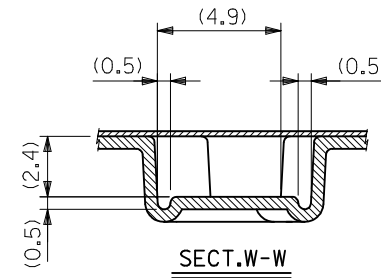
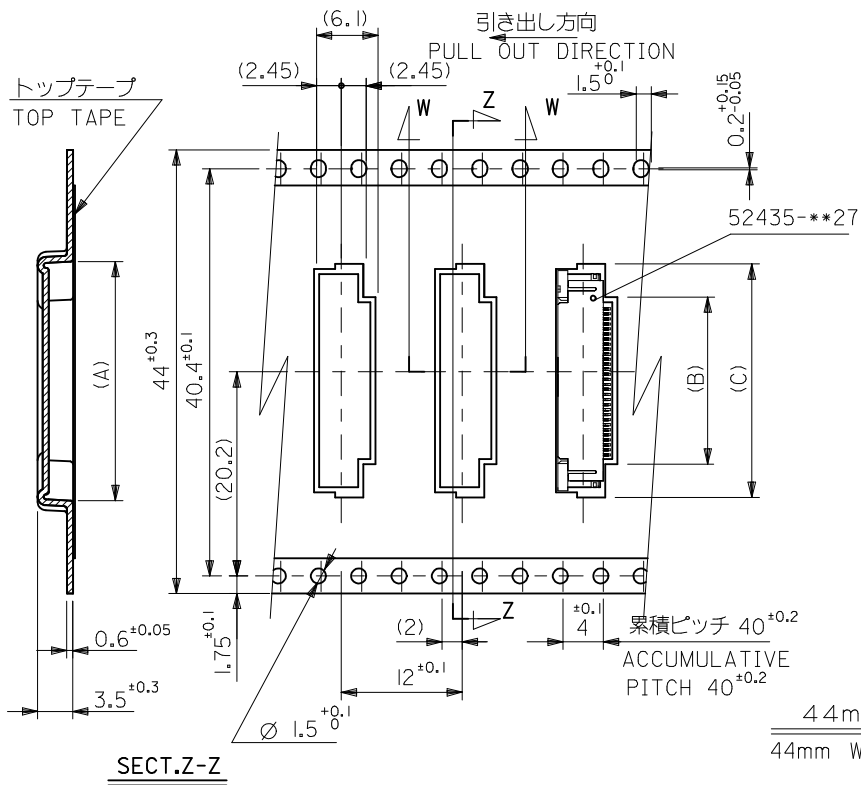
| RELEASED          |            | GENERAL TOLERANCES (UNLESS SPECIFIED) |         | DIMENSION STYLE MM ONLY |            | SCALE | DESIGN UNITS | THIRD ANGLE PROJECTION  |  |
|-------------------|------------|---------------------------------------|---------|-------------------------|------------|-------|--------------|---|--|
| EC NO: J2014-0101 | 2013/08/01 | 10 UNDER                              | ± ---   | DRAWN BY                | DATE       | ---   | METRIC       | EMBOSSED TAPE PACKAGE   |  |
| DRWN: TMORISHITA  | 2013/08/01 | 10 OVER 30 UNDER                      | ± ---   | TMORISHITA              | 2013/08/01 |       |              | FOR 52435-***27   |  |
| CHKD: KTAKAHASHI  | 2013/08/01 | 30 OVER                               | ± ---   | CHECKED BY              | DATE       |       |              | SHEET 1 OF 3  |  |
| APPR: YNOGAWA     | 2013/09/09 |                                       |         | KTAKAHASHI              | 2013/08/01 |       |              | molex   |  |
|                   |            | ANGULAR                               | ± --- ° | APPROVED BY             | DATE       |       |              | SD-52435-024  |  |
|                   |            | DRAFT WHERE APPLICABLE                |         | YNOWAWA                 | 2013/09/09 |       |              | SHEET NO. 1 OF 3  |  |
|                   |            | MUST REMAIN WITHIN DIMENSIONS         |         |                         |            |       |              | THIS DRAWING CONTAINS INFORMATION THAT IS PROPRIETARY TO MOLEX INCORPORATED AND SHOULD NOT BE USED WITHOUT WRITTEN PERMISSION |  |
|                   |            |                                       |         | SIZE                    |            |       |              |   |  |
|                   |            |                                       |         | A3                      |            |       |              |   |  |



|    |      |                                |      |      |            |     |     |
|----|------|--------------------------------|------|------|------------|-----|-----|
| 32 | 33.5 | 22.4                           | 15.8 | 21.4 | 52435-299I | 29  |     |
|    |      | 21.9                           | 15.3 | 20.9 | -289I      | 28  |     |
|    |      | 21.4                           | 14.8 | 20.4 | -279I      | 27  |     |
|    |      | 20.9                           | 14.3 | 19.9 | -269I      | 26  |     |
|    |      | 19.9                           | 13.3 | 18.9 | -249I      | 24  |     |
|    |      | 19.4                           | 12.8 | 18.4 | -239I      | 23  |     |
|    |      | 18.9                           | 12.3 | 17.9 | -229I      | 22  |     |
|    |      | 17.9                           | 11.3 | 16.9 | -209I      | 20  |     |
|    |      | 17.4                           | 10.8 | 16.4 | -199I      | 19  |     |
|    |      | 16.9                           | 10.3 | 15.9 | -189I      | 18  |     |
| 24 | 25.5 | 16.4                           | 9.8  | 15.4 | -179I      | 17  |     |
|    |      | 15.9                           | 9.3  | 14.9 | -169I      | 16  |     |
|    |      | 15.4                           | 8.8  | 14.4 | -159I      | 15  |     |
|    |      | 14.9                           | 8.3  | 13.9 | -149I      | 14  |     |
|    |      | 14.4                           | 7.8  | 13.4 | -139I      | 13  |     |
|    |      | 13.9                           | 7.3  | 12.9 | -129I      | 12  |     |
|    |      | 13.4                           | 6.8  | 12.4 | -119I      | 11  |     |
|    |      | 12.9                           | 6.3  | 11.9 | -109I      | 10  |     |
|    |      | 12.4                           | 5.8  | 11.4 | -099I      | 9   |     |
|    |      | 11.9                           | 5.3  | 10.9 | -089I      | 8   |     |
| 24 | 25.5 | 11.4                           | 4.8  | 10.4 | -079I      | 7   |     |
|    |      | 10.9                           | 4.3  | 9.9  | 52435-069I | 6   |     |
|    |      | キャリアテープ幅<br>CARRIER TAPE WIDTH |      | D    | (C)        | (B) | (A) |

|   |                         |  |
|---|-------------------------|--|
| RELEASED<br>EC NO: J2014-0101<br>DRWN: TMORISHITA 2013/08/01<br>CHKD: KTAKAHASHI 2013/08/01<br>APPR: YNOGAWA 2013/09/09 | DESCRIPTION<br>REV<br>O | GENERAL TOLERANCES<br>(UNLESS SPECIFIED)                                     |
| 10 UNDER  | ± ---                   | ANGULAR ±--- °<br>DRAFT WHERE APPLICABLE<br>MUST REMAIN<br>WITHIN DIMENSIONS |
| 10 OVER 30 UNDER  | ± ---                   |  |
| 30 OVER   | ± ---                   |  |

|  |                              |  |                           |
|--|------------------------------|--|---------------------------|
| DIMENSION STYLE<br>MM ONLY   | SCALE<br>---                 | DESIGN UNITS<br>METRIC   | THIRD ANGLE<br>PROJECTION |
| DRAWN BY<br>TMORISHITA   | DATE<br>2013/08/01           | TITLE<br>EMBOSSED TAPE PACKAGE<br>FOR 52435-**27<br>SHEET 2 OF 3 |                           |
| CHECKED BY<br>KTAKAHASHI   | DATE<br>2013/08/01           |  |                           |
| APPROVED BY<br>YNOGAWA   | DATE<br>2013/09/09           |  |                           |
| MATERIAL NO.<br>SEE CHART  | DOCUMENT NO.<br>SD-52435-024 | SHEET NO.<br>2 OF 3  |                           |
| THIS DRAWING CONTAINS INFORMATION THAT IS PROPRIETARY TO MOLEX<br>INCORPORATED AND SHOULD NOT BE USED WITHOUT WRITTEN PERMISSION |                              |  |                           |



44mm幅キャリアテープ  
44mm WIDTH CARRIER TAPE

|                                |      |      |      |      |            |               |
|--------------------------------|------|------|------|------|------------|---------------|
| 44                             | 45.5 | 22.9 | 16.3 | 21.9 | 52435-3091 | 30            |
| キャリアテープ幅<br>CARRIER TAPE WIDTH |      | D    | (C)  | (B)  | (A)        | ENG. NO.      |
|                                |      |      |      |      |            | 極数<br>CIRCUIT |

|  |  |                 |            |   |  |
|--|--|-----------------|------------|---|--|
| <b>RELEASED</b><br>EC NO: J2014-0101<br>DRWN: TMORISHITA 2013/08/01<br>CHKD: KTAKAHASHI 2013/08/01<br>APPR: YNOGAWA 2013/09/09 | DESCRIPTION<br>GENERAL TOLERANCES (UNLESS SPECIFIED)<br>10 UNDER ± ---<br>10 OVER 30 UNDER ± ---<br>30 OVER ± ---<br>ANGULAR ± --- °<br>DRAFT WHERE APPLICABLE MUST REMAIN WITHIN DIMENSIONS | DIMENSION STYLE | SCALE      | DESIGN UNITS  | THIRD ANGLE PROJECTION<br><br><b>EMBOSSD TAPE PACKAGE FOR 52435-**-27 (SHEET 3 OF 3)</b><br><b>molex</b><br>SD-52435-024 |
|  |  | MM ONLY         | ---        | METRIC  |  |
|  |  | DRAWN BY        | DATE       | TITLE   |  |
|  |  | TMORISHITA      | 2013/08/01 | EMBOSSD TAPE PACKAGE FOR 52435-**-27 (SHEET 3 OF 3)   |  |
| CHECKED BY   | DATE   | APPROVED BY     | DATE       | MATERIAL NO.  | DOCUMENT NO.   |
| KTAKAHASHI   | 2013/08/01   | YNOGAWA         | 2013/09/09 | SEE CHART   | SD-52435-024   |
| REV  | 0  | SIZE A3         |            | THIS DRAWING CONTAINS INFORMATION THAT IS PROPRIETARY TO MOLEX INCORPORATED AND SHOULD NOT BE USED WITHOUT WRITTEN PERMISSION |  |