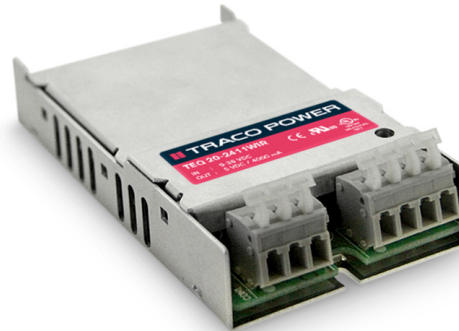


- High power block with excellent thermal convection
- Operating temperature -40°C to +93°
- Ultra wide 4:1 input voltage range
- EN 50155 approval for railway applications
- Excellent efficiency up to 88%
- Input filter meet EN 55022, class B
- I/O isolation up to 3000 VDC
- Under voltage lock-out circuit
- Protection against overvoltage, over-temperature and short circuit
- Output LED indicator



The TEQ-20WIR Series is a family of isolated high performance dc-dc converter modules with ultra-wide 4:1 input voltage ranges which come in a rugged metal case. These converters are suitable for a wide range of applications, but the product is designed particularly also for industrial applications where often no PCB mounting is possible but the module has to be mounted on a chassis. A very high efficiency and the heatsink construction allows an operating temperature up to +83°C with natural convection cooling without power derating and up to +93°C with power derating. Further features include under voltage lockout, over temperature protection and short circuit protection.

Models				
Order code	Input voltage	Output voltage	Output current max.	Efficiency typ.
TEQ 20-2411WIR	9 - 36 VDC (nominal 24 VDC)	5 VDC	4000 mA	87 %
TEQ 20-2412WIR		12 VDC	1670 mA	88 %
TEQ 20-2413WIR		15 VDC	1330 mA	87 %
TEQ 20-2415WIR		24 VDC	833 mA	87 %
TEQ 20-4811WIR	18 - 75 VDC (nominal 48 VDC)	5 VDC	4000 mA	87 %
TEQ 20-4812WIR		12 VDC	1670 mA	88 %
TEQ 20-4813WIR		15 VDC	1330 mA	88 %
TEQ 20-4815WIR		24 VDC	833 mA	87 %
TEQ 20-7211WIR	43 - 160 VDC (nominal 110 VDC)	5 VDC	4000 mA	86 %
TEQ 20-7212WIR		12 VDC	1670 mA	87 %
TEQ 20-7213WIR		15 VDC	1330 mA	87 %
TEQ 20-7215WIR		24 VDC	833 mA	87 %

Input Specifications

Input current no load	24 Vin models: 8 mA typ. 48 Vin models: 6 mA typ. 110 Vin models: 5 mA typ.
Surge voltage (1 sec. max.)	24 Vin models: 50 VDC max 48 Vin models: 100 VDC max. 110 Vin models: 170 VDC max.
Start-up voltage	24 Vin models: 9 VDC (or lower) 48 Vin models: 18 VDC (or lower) 110 Vin models: 43 VDC (or lower)
Under voltage shut down	24 Vin models: 8 VDC typ. 48 Vin models: 16 VDC typ 110 Vin models: 40 VDC typ.
Inrush current	15 A typ.
Input fuse	24 Vin models: 4 A (slow blow) 48 Vin models: 2 A (slow blow) 110 Vin models: 1 A (slow blow)
EMC emissions	– conducted immunity EN55022 class B (internal filter)
EMC immunity	– Electrostatic discharge ESD EN 61000-4-2, air ± 8 kV, contact ± 6 kV, perf. criteria A – Radiated immunity EN 61000-4-3, 20 V/m, perf. criteria A – Fast transient EN 61000-4-4, ± 2 kV, perf. criteria A – Surge EN 61000-4-5, ± 1 kV perf. criteria A – Conducted immunity EN 61000-4-6, 10 Vrms, perf. criteria A – Magnetic field immunity EN 61000-4-8, 100 A/m, perf. criteria A

Output Specifications

Voltage set accuracy	± 1 %
Regulation	– Input variation 0.5 % max. – Load variation 0 – 100 % 5 VDC models: 1.5 % max. other models: 1.0% max.
Temperature coefficient	± 0.02 %/K typ.
Start up time (constant resistive load)	100 ms typ.
Hold up time	10 ms min. (acc. EN50155 class S2)
Minimum load	not required
Ripple and noise (20 MHz Bandwidth)	5 VDC models: 75 mVp-p max. 12 & 15 VDC models: 100 mVp-p max. 24 VDC models: 150 mVp-p max.
Transient response (25% load step change)	250 μ s typ.
Over-voltage protection	5 VDC models: at 6.2 VDC typ. 12 VDC models: at 15 VDC typ. 15 VDC models: at 20 VDC typ. 24 VDC models: at 30 VDC typ.
Ouput indicator	green LED
Current limitation	at 150 % of rated lout max., hiccup mode
Short circuit protection	continuous, automatic recovery
Capacitive load	5 VDC models: 5'000 μ F 12 VDC models: 850 μ F 15 VDC models: 700 μ F 24 VDC models: 250 μ F

All specifications valid at nominal input voltage, full load and +25°C after warm-up time unless otherwise stated.

General Specifications

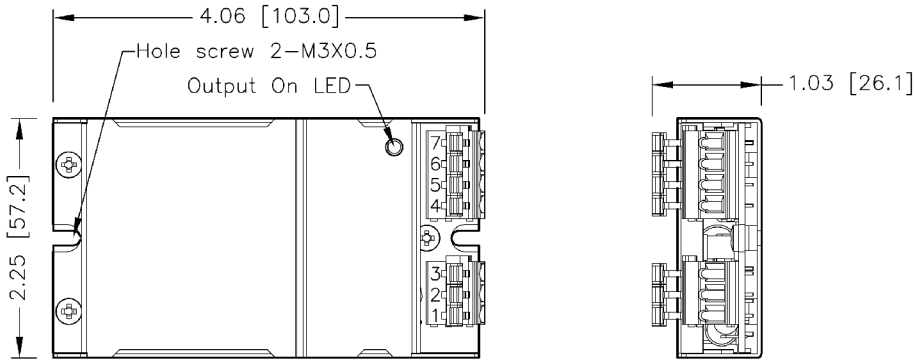
Temperature ranges	<ul style="list-style-type: none"> – Operating (natural convection 20LFM, 0,1m/s) – Storage temperature 	–40°C to +83°C (without derating) –40°C to +93°C (with derating) –40°C to +105°C
Derating		5.8 %/K above 83°C (depending on model)
Mechanical shock		acc. EN61373, MIL-STD-810F
Thermal shock		acc. MIL-STD-810F
Vibration		acc. EN61373, MIL-STD-810F
Humidity (non condensing)		5 - 95 % rel H max.
Isolation voltage (60 sec)	<ul style="list-style-type: none"> – Input/Output – Input/Case 	2'250 VDC 1'600 VDC
Isolation capacitance (input/output)		6'000 pF typ.
Isolation resistance (input/output)		>1 Gohm
Reliability, calculated MTBF (MIL-HDBK-217F at +25°C, ground benign)		1'600'000 h
Switching frequency		330 kHz ±33 kHz (PWM)
Safety standards & approvals	<ul style="list-style-type: none"> – CB test certificate – UL online certification E188913, OQG02 – Railway immunity – Certification documents (pending) 	IEC/EN 60950-1 UL 60950-1 EN50155 www.tracopower.com/overview/teq20wir
Environmental compliance	<ul style="list-style-type: none"> – Reach – RoHS 	www.tracopower.com/products/reach-declaration.pdf RoHS directive 2011/65/EU

Physical Specifications

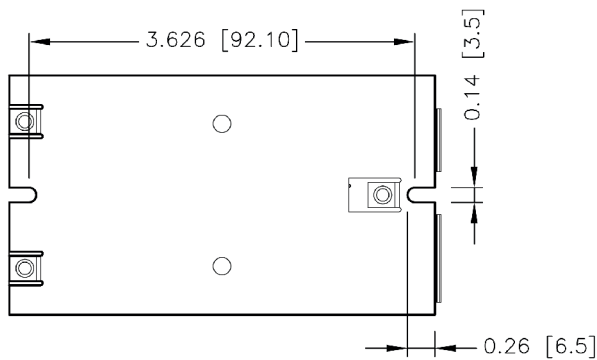
Casing material	aluminium
Package weight	122g (4.30oz)
Soldering temperature	max. 260°C / 10 sec

All specifications valid at nominal input voltage, full load and +25°C after warm-up time unless otherwise stated.

Outline Dimensions



TOP VIEW



BOTTOM VIEW

Terminal connection

Terminal	
1	+Vin
2	-Vin (GND)
3	NC
4	NC
5	-Vout
6	+Vout
7	NC

Dimensions in [mm], () = Inch

Tolerances: x.x ±0.5 (±0.02)

x.xx ±0.25 (±0.01)

Screw max. torque: 5.0 kgf - cm (0.49 Nm)

Spring terminals: 12 - 18 AWG