

# Customer Information Sheet

DRAWING No.: M50-313XX45X

IF IN DOUBT - ASK

©

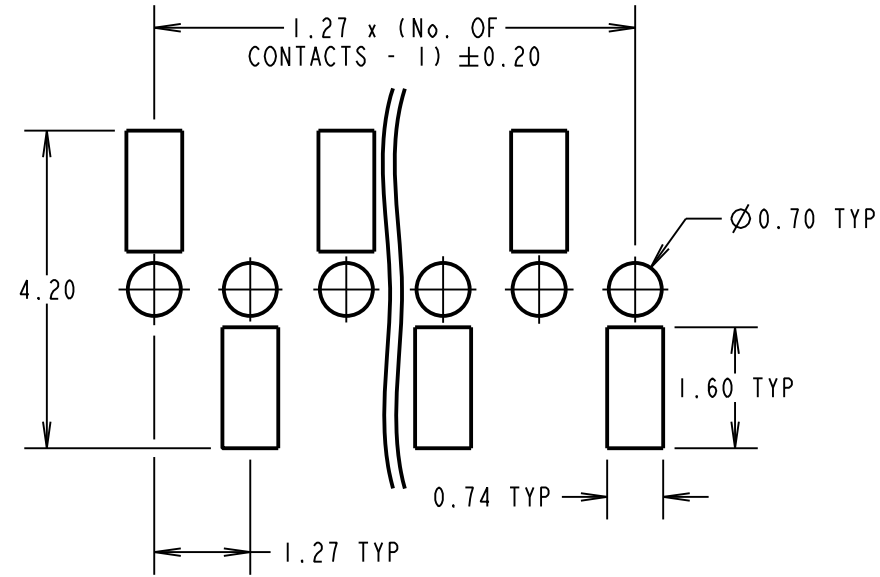
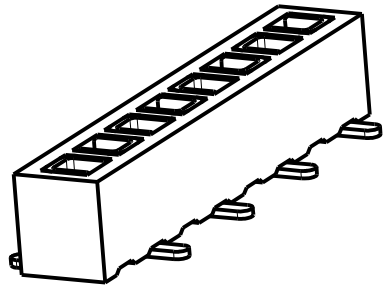
NOT TO SCALE

THIRD ANGLE PROJECTION

ALL DIMENSIONS IN mm

RECOMMENDED PCB LAYOUT  
(TOLERANCE =  $\pm 0.05$ )

NOTES:  
1. FOR TAPE AND REEL DETAILS, SEE SHEET 4.

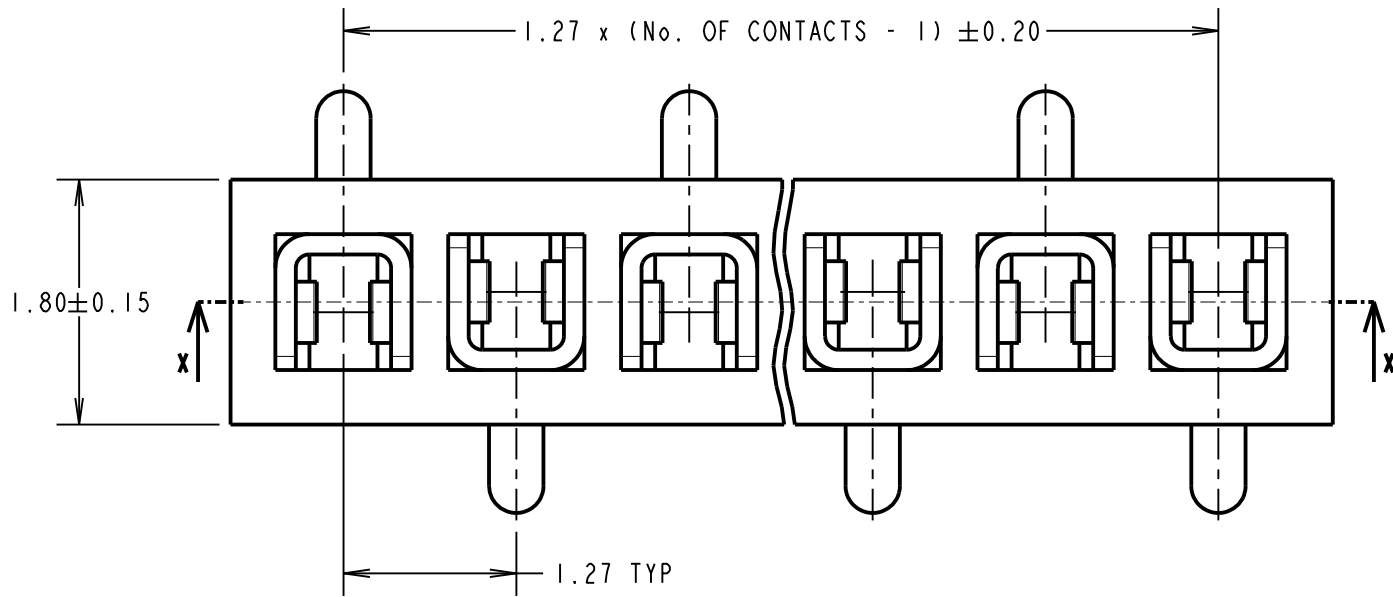


ORDER CODE:

**M50-313XX45X**

No. OF CONTACTS: \_\_\_\_\_  
02 TO 06, 08, 10, 20

PACKING: \_\_\_\_\_  
BLANK = TUBE  
R = TAPE AND REELED (SHEET 4)



SPECIFICATIONS:

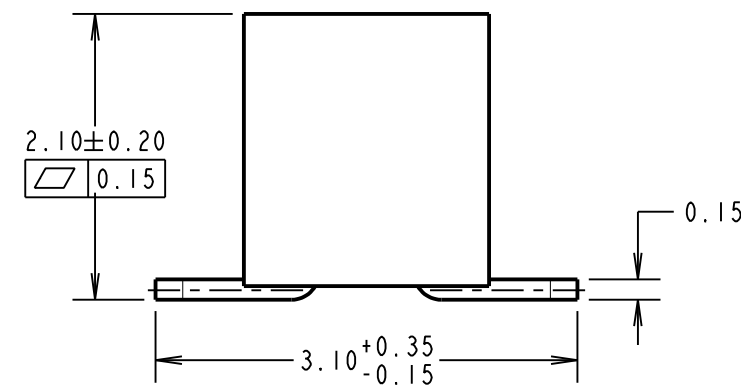
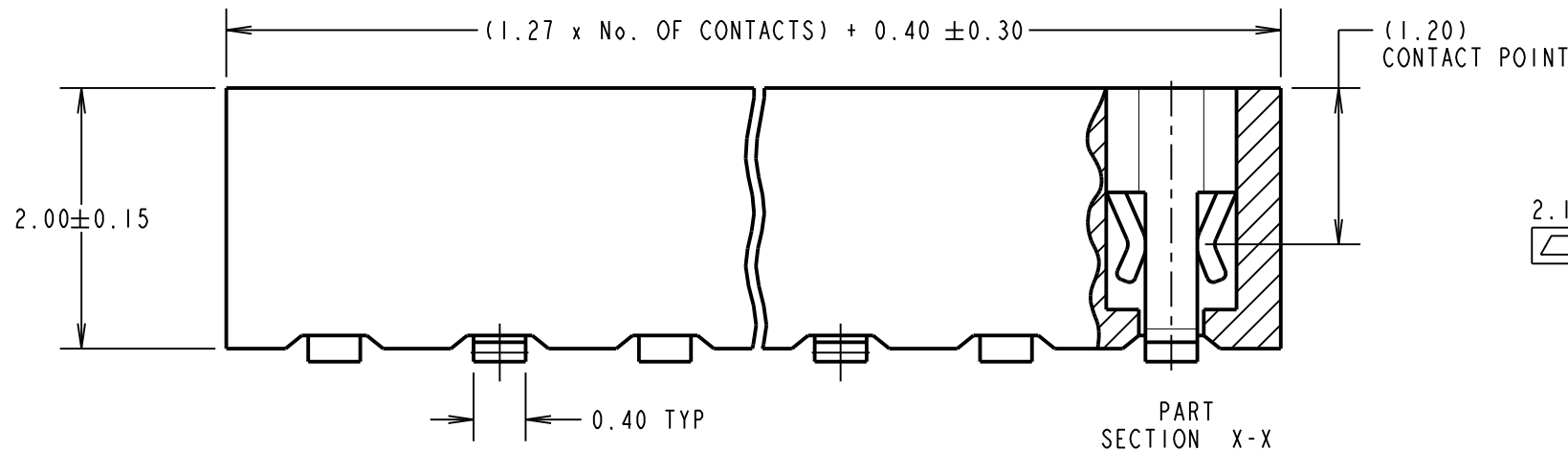
MATERIAL:  
MOULDING = PA9T, UL94V-0, BLACK  
CONTACT = PHOSPHOR BRONZE  
FINISH = 0.012 $\mu$  MIN GOLD, OVER  
0.76 $\mu$  - 1.52 $\mu$  NICKEL

ELECTRICAL:  
CURRENT RATING = 1A  
DIELECTRIC VOLTAGE = 500V AC FOR ONE MINUTE  
CONTACT RESISTANCE = 20m $\Omega$  MAX  
INSULATION RESISTANCE = 1000M $\Omega$  MIN

MECHANICAL:  
DURABILITY = 300 CYCLES MIN  
INSERTION FORCE = 1.18N MAX PER CONTACT  
WITHDRAWAL FORCE = 0.19N MIN PER CONTACT

ENVIRONMENTAL:  
OPERATING TEMPERATURE = -40°C TO +105°C

PACKING:  
TUBE (02 CONTACT SIZE PACKED IN BOX)  
FOR COMPLETE SPECIFICATIONS, SEE COMPONENT SPECIFICATION C029XX (LATEST ISSUE)



MSP	3	14.08.17	20647
NAME	ISS.	DATE	C/NOTE
APPROVED: M. PERREN			
CHECKED: M. PLESTED			
DRAWN: S. BENNETT			
CUSTOMER REF.:			
ASSEMBLY DRG:			

**HARWIN**

www.harwin.com  
technical@harwin.com

THIS DRAWING AND ANY INFORMATION OR DESCRIPTIVE MATTER SET OUT HEREON ARE CONFIDENTIAL AND COPYRIGHT PROPERTY OF THE HARWIN GROUP AND MUST NOT BE DISCLOSED, LOANED, COPIED OR USED FOR MANUFACTURING, TENDERING OR FOR ANY OTHER PURPOSE WITHOUT THEIR WRITTEN PERMISSION.

TOLERANCES  
X. =  $\pm 1$ mm  
X.X =  $\pm 0.25$ mm  
X.XX =  $\pm 0.10$ mm  
X.XXX =  $\pm 0.01$ mm  
ANGLES =  $\pm 5^\circ$   
UNLESS STATED

MATERIAL:  
SEE ABOVE

FINISH: SEE ABOVE

S/AREA: mm<sup>2</sup>

TITLE:  
1.27mm PITCH, SIL VERTICAL DUAL ENTRY SOCKET

DRAWING NUMBER:  
**M50-313XX45X**

SHT  
3  
OF  
4

# Customer Information Sheet

DRAWING No.: M50-313XX45X

IF IN DOUBT - ASK

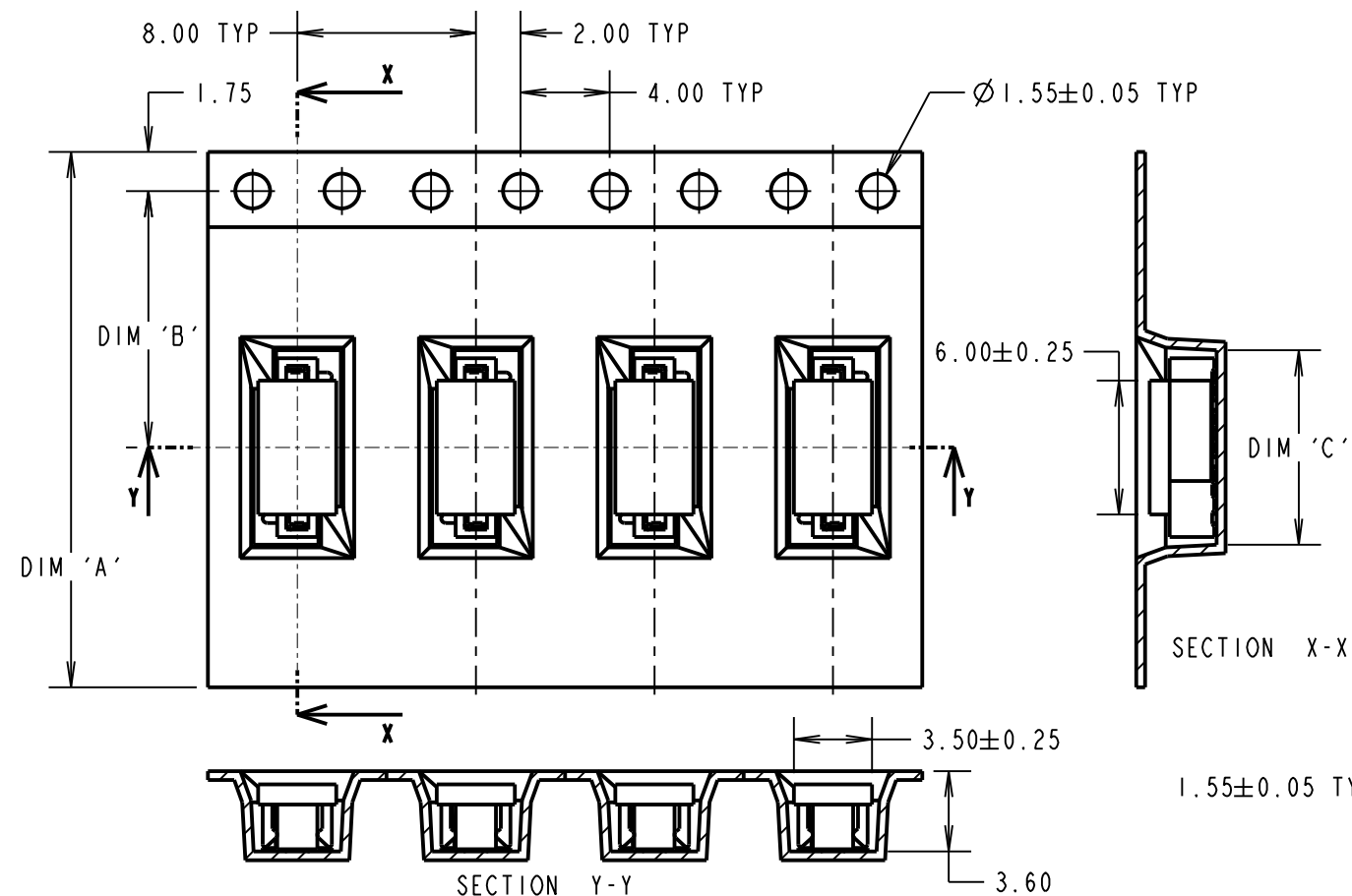
(C)

NOT TO SCALE

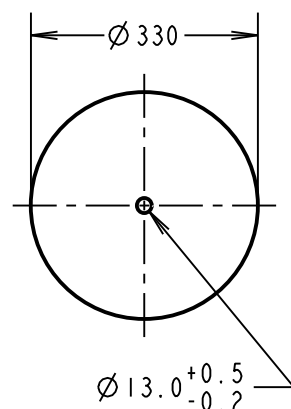
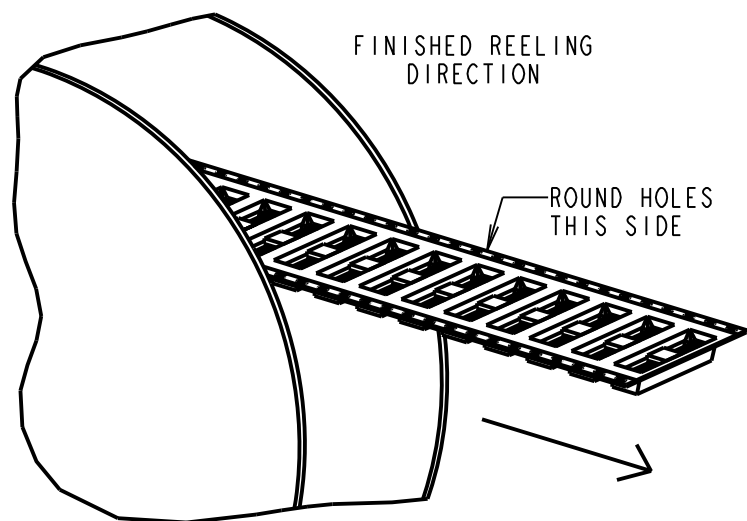
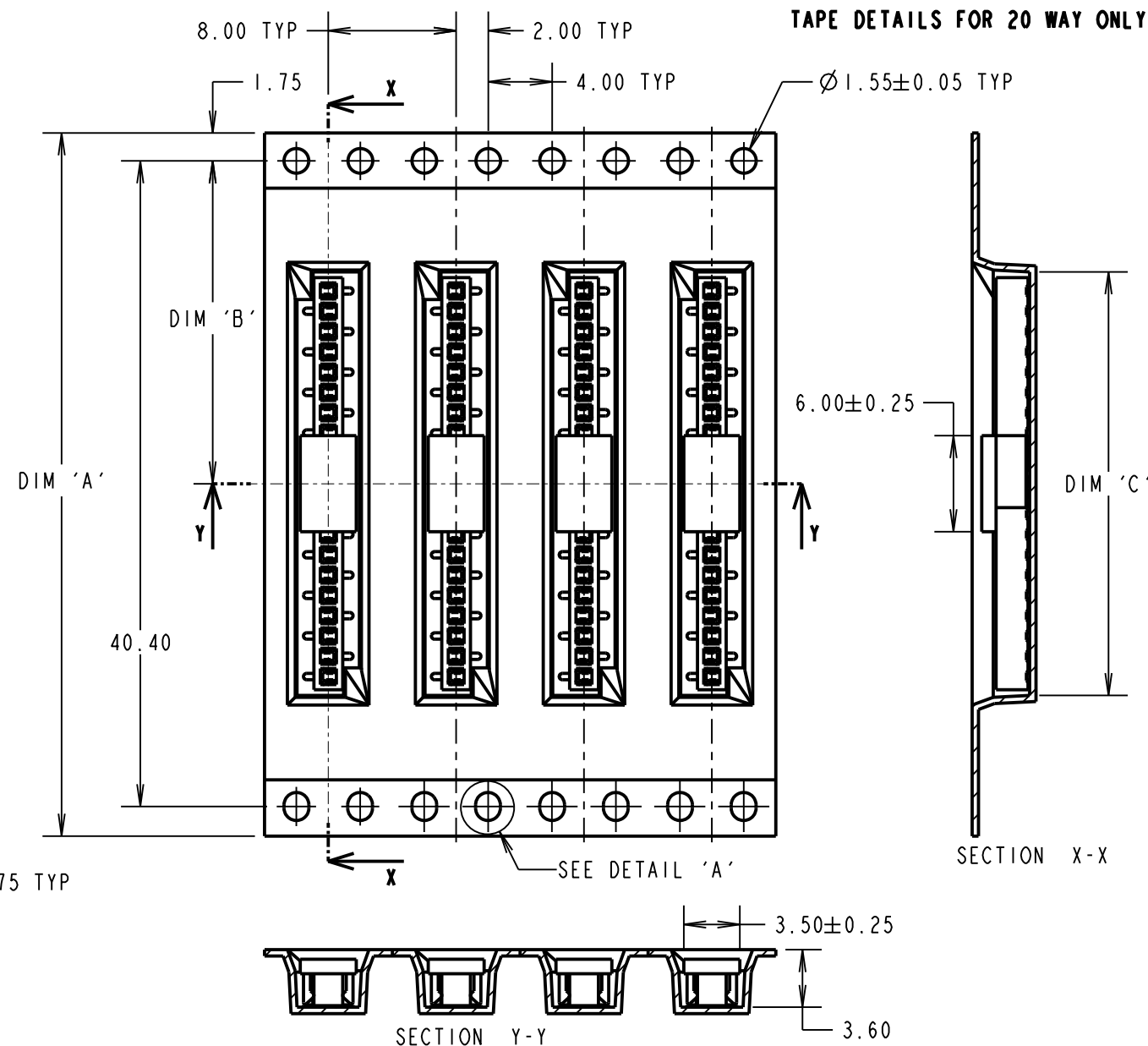
THIRD ANGLE PROJECTION

ALL DIMENSIONS IN mm

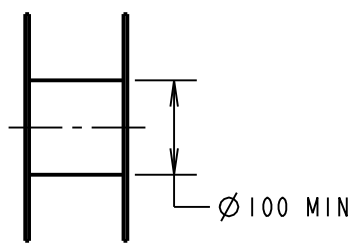
**TAPE DETAILS FOR  
02 TO 06, 08 & 10 WAYS ONLY**



**TAPE DETAILS FOR 20 WAY ONLY**



REEL DETAILS



ORDER CODE:

**M50-313XX45X**

No. OF CONTACTS: 02 TO 06, 08, 10, 20

PACKING:  
BLANK = TUBE (SHEET 3)  
R = TAPE AND REELED

PART No.	DIMENSION			REEL QUANTITY
	DIM 'A'	DIM 'B'	DIM 'C'	
M50-3130242R	16.00±0.30	7.50	6.40	2000
M50-3130342R			7.15	
M50-3130442R			8.42	
M50-3130542R	24.00±0.30	11.50	10.96	
M50-3130642R			13.50	
M50-3130842R			26.20	
M50-3131042R				
M50-3132042R	44.00±0.30	20.20±0.15	26.20	

MSP	3	14.08.17	20647
NAME	ISS.	DATE	C/NOTE
APPROVED:		M.PERREN	
CHECKED:		M.PLESTED	
DRAWN:		S.BENNETT	
CUSTOMER REF.:			
ASSEMBLY DRG:			

NOTES:  
1. FOR CONNECTOR DETAILS AND SPECIFICATIONS, SEE SHEET 3.  
2. PRODUCT IS TAPE AND REELED IN GENERAL ACCORDANCE WITH EIA-481 (ELECTRAL INDUSTRIES ASSOCIATION).

**HARWIN**

www.harwin.com  
technical@harwin.com

THIS DRAWING AND ANY INFORMATION OR DESCRIPTIVE MATTER SET OUT HEREON ARE CONFIDENTIAL AND COPYRIGHT PROPERTY OF THE HARWIN GROUP AND MUST NOT BE DISCLOSED, LOANED, COPIED OR USED FOR MANUFACTURING, TENDERING OR FOR ANY OTHER PURPOSE WITHOUT THEIR WRITTEN PERMISSION.

TOLERANCES  
X. = ±1mm  
X.X = ±0.25mm  
X.XX = ±0.10mm  
X.XXX = ±0.01mm  
ANGLES = ±5°  
UNLESS STATED

MATERIAL:  
SEE ABOVE  
FINISH: SEE ABOVE  
S/AREA: mm<sup>2</sup>

TITLE:  
1.27mm PITCH, SIL VERTICAL DUAL ENTRY SOCKET

DRAWING NUMBER:  
**M50-313XX45X**

SHT  
4 OF 4