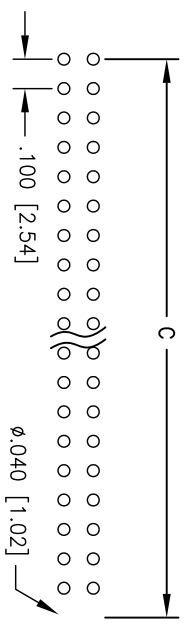
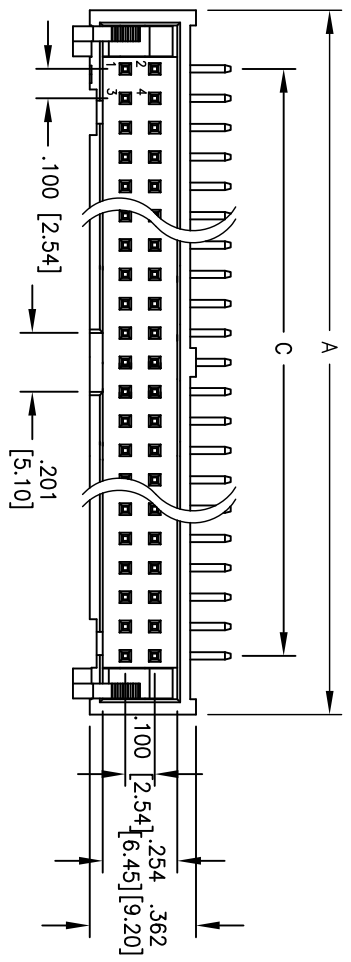
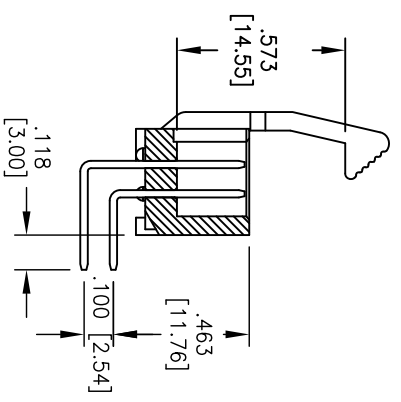
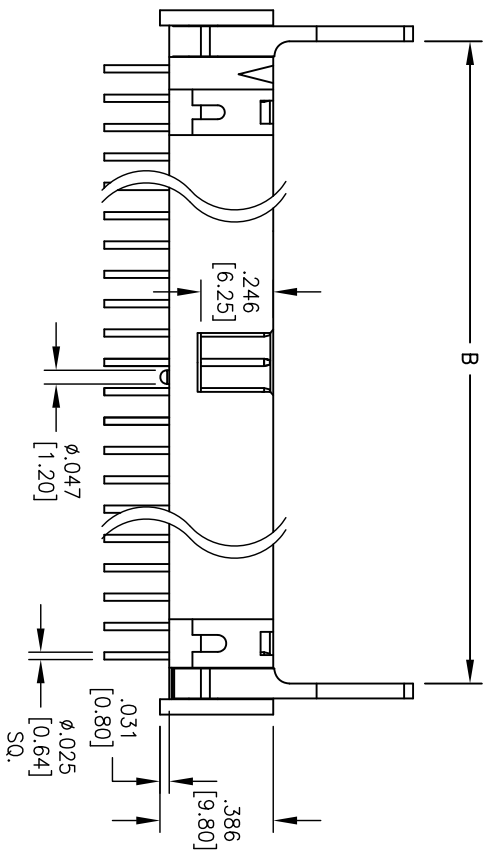


APPROVED: _____
 DATE: _____ TITLE: _____

Rev	AWO #	Description	Date	Appr
-		RELEASED	5/10/05	
A		RELEASED	10/27/10	



RECOMMENDED PCB LAYOUT



SPECIFICATION:

Material:
 Insulator: PBT, glass reinforced, rated UL 94V-0
 Insulator Color: Black
 Metal Latch: Zinc Alloy, Nickel plated.
Contact Plating:
 Gold Flash over Nickel underplate overall

Electrical:
 Operating Voltage: 350V AC max.
 Current rating: 3 Amps max.
 Contact resistance: 20 mohms max
 Insulation resistance: 1000 Mohms min
 Dielectric withstanding voltage: 1000 VAC / minute
Temperature Rating:
 Operating temperature: -40°C TO +105°C
 Environmental:
 Lead free, RoHS compliant.
 Recommended soldering temp: 235°C for 5 sec.

Positions: 06, 08, 10, 14, 16, 20, 26, 30, 34, 40, 50, 60, 64
 A = .100 [2.54] X No. of Positions / 2 + .300 [7.62]
 B = .100 [2.54] X No. of Positions / 2 + .088 [2.24]
 C = .100 [2.54] X No. of Positions / 2 - .100 [2.54]

UNLESS OTHERWISE SPECIFIED
 ALL DIMENSIONS ARE INCHES [MM]
 TOLERANCES: EXCEPT AS NOTED

X	± .10	Ø X	± .10
.XX	± .020	Ø.XX	± .015
.XXX	± .015	Ø.XXX	± .010
.XXX	± .015	Ø.XXX	± .010

ADAM TECH
 909 Rahway Avenue, Union, NJ 07083
 Phone: 908-687-5000 Fax: 908-687-5710

TITLE: BOX HEADER, HORIZONTAL PCB MOUNT,
 2 ROW, .100 PITCH, GOLD PLATED

DRAWN	SS	5/10/05	SIZE	PART NO.	BHR-XX-HUA-ML	REV.	A
CHECKED			X				
APPROVED			REF:	S00019C	SCALE: NTS	SHEET	1 OF 1