

KR Electronics, Inc.

General Description

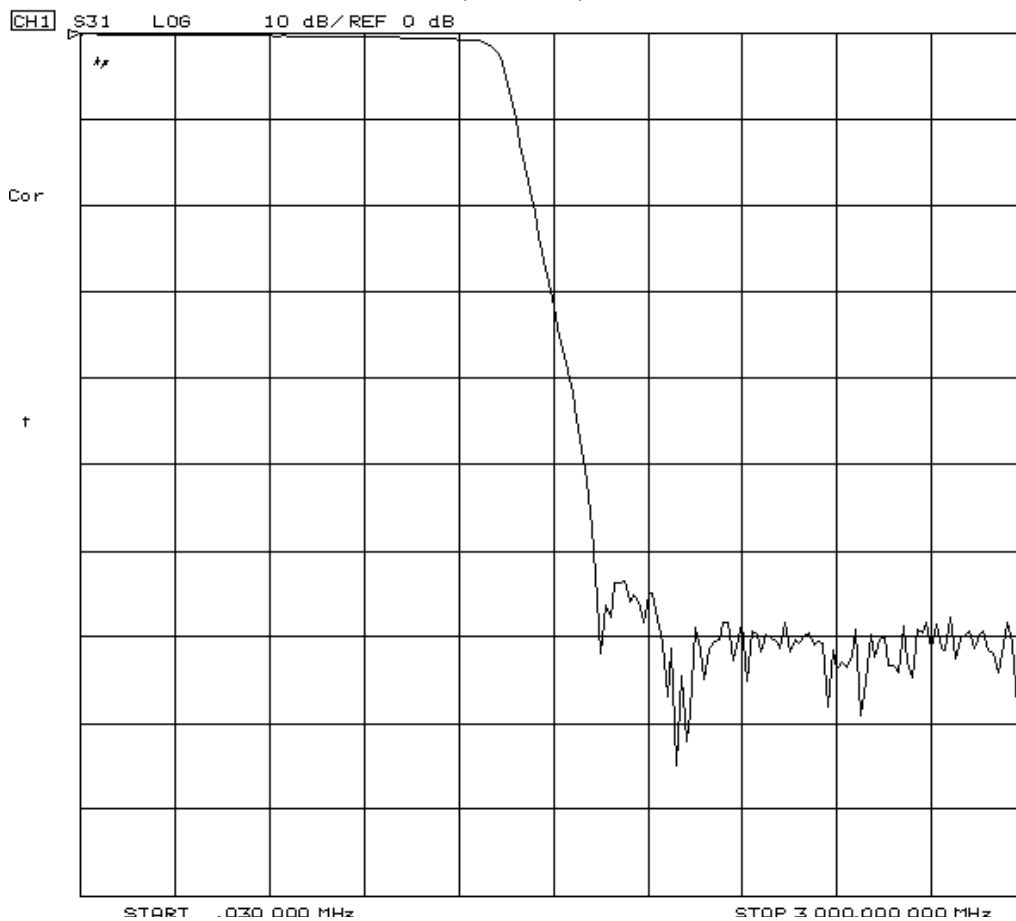
KR Electronics part number 3008 is a 1250 MHz lowpass filter. The filter has a minimum 1 dB bandwidth of 1250 MHz. Other bandwidths available. Please consult the factory.

Features

- 1250 MHz Lowpass
- 40 dB min at 1600 MHz (50 dB typ)
- Sharp Transition to the Stopband
- 50 Ω Source and Load
- Surface Mount
- Also available with SMA Connectors

Typical Performance

Overall Response
(10 dB/div)

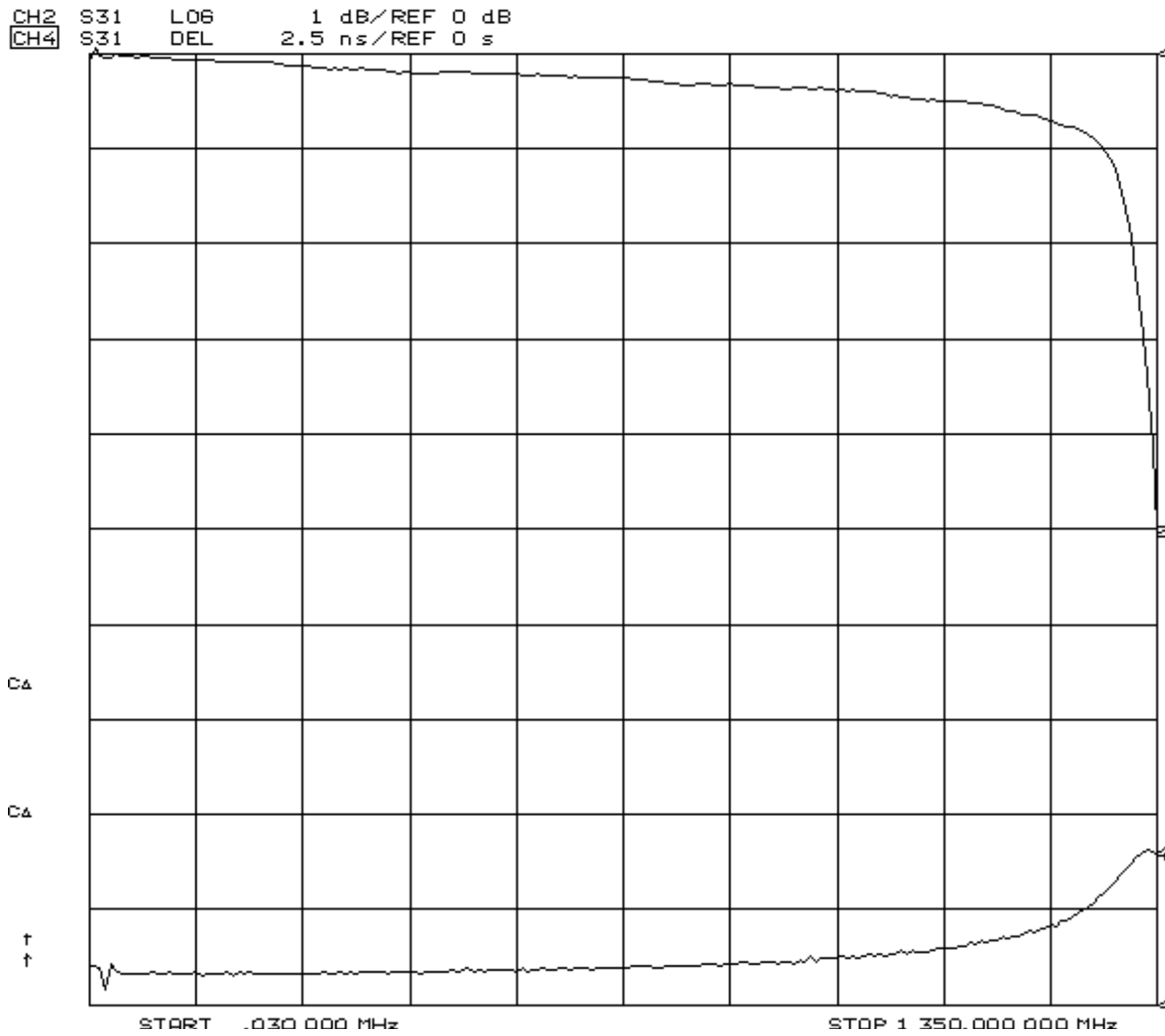


KR Electronics, Inc.
91 Avenel Street
Avenel, NJ 07001

Web www.krfilters.com
Email sales@krfilters.com
Phone (732) 636-1900

Typical Performance

Passband Amplitude & Group Delay (1 dB/div & 2.5 nsec/div)

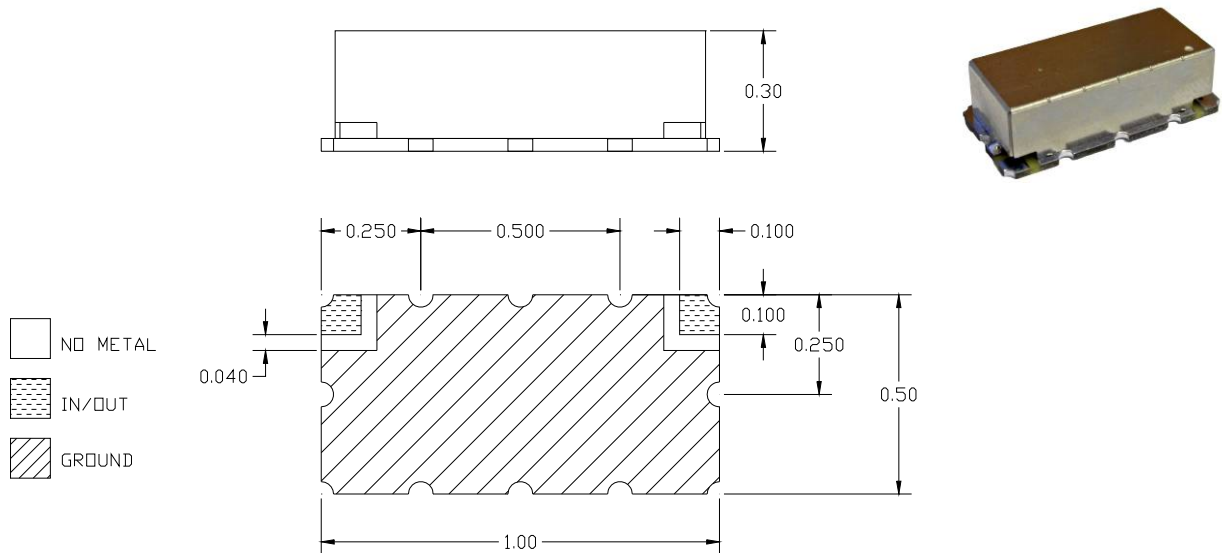


KR Electronics 3008

Specifications

Parameter	Specification
Filter type	Lowpass
End of Passband (1 dB max)	1250 MHz
Attenuation 1600 MHz to 3000 MHz	40 dB min 50 dB typical
Source and Load	50 Ω

Physical Dimensions



Notes:

1. Surface mount package
2. Dimensions in inches
3. Max reflow temperature 209° C for 10 sec
4. If boards are cleaned after installation units must be completely dried

KR Electronics, Inc.
91 Avenel Street
Avenel, NJ 07001

Web www.krfilters.com
Email sales@krfilters.com
Phone (732) 636-1900
Fax (732) 636-1982