

Plug-in Signal Conditioners M-UNIT

CURRENT LOOP SUPPLY

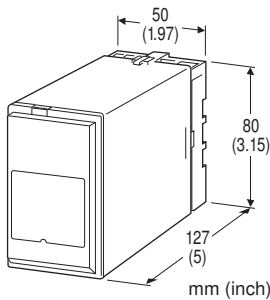
(linearizing; field-programmable)

Functions & Features

- Powering a 4 - 20 mA DC current loop
- Microprocessor based
- Shortcircuit protection
- Applicable to smart transmitters
- Field-programmable linearization data
- Isolation up to 2000 V AC
- Loop testing via hand-held programmer PU-2x
- Highdensity mounting

Typical Applications

- Various 2-wire transmitters
- Providing isolation and linearization for a 2-wire temperature transmitter
- Linearizing weir flowmeter output to provide a linear-to-volume signal
- Linearizer application (4 - 20 mA input)
- Square root extraction for differential pressure transmitter



MODEL: JDL-A[1][2]-[3][4]

ORDERING INFORMATION

- Code number: JDL-A[1][2]-[3][4]
- Specify a code from below for each of [1] through [4].
(e.g. JDL-A1A-B/Q)
- Special output range (For codes Z & 0)
- Default setting (following table) will be used if not otherwise specified.
- No linearization data will be programmed if you don't specify type of linearization and required data.
- Linearization data
- Code 1 segment data: Use Ordering Information Sheet (No. ESU-1669) to specify linearization data.
- Code 3 T/C, Code 4 RTD: Specify input sensor type and temperature range.

- Specify the specification for option code /Q (e.g. /C01/S01)

| LINEARIZATION CODE | DEFAULT |
|---------------------------|------------------|
| 1: Segment data | Linear |
| 2: Square root extraction | — |
| 3: Thermocouple | K 0 - 1000°C |
| 4: RTD | Pt 100 0 - 100°C |

INPUT

Current

A: 4 - 20 mA DC (Input resistance 250 Ω)

[1] LINEARIZATION

0: None

1: Segment data

2: Square root extraction

3: Thermocouple

4: RTD

[2] OUTPUT

Current

A: 4 - 20 mA DC (Load resistance 750 Ω max.)

B: 2 - 10 mA DC (Load resistance 1500 Ω max.)

C: 1 - 5 mA DC (Load resistance 3000 Ω max.)

D: 0 - 20 mA DC (Load resistance 750 Ω max.)

E: 0 - 16 mA DC (Load resistance 900 Ω max.)

F: 0 - 10 mA DC (Load resistance 1500 Ω max.)

G: 0 - 1 mA DC (Load resistance 15 kΩ max.)

Z: Specify current (See OUTPUT SPECIFICATIONS)

Voltage

1: 0 - 10 mV DC (Load resistance 10 kΩ min.)

2: 0 - 100 mV DC (Load resistance 100 kΩ min.)

3: 0 - 1 V DC (Load resistance 1000 Ω min.)

4: 0 - 10 V DC (Load resistance 10 kΩ min.)

5: 0 - 5 V DC (Load resistance 5000 Ω min.)

6: 1 - 5 V DC (Load resistance 5000 Ω min.)

4W: -10 - +10 V DC (Load resistance 10 kΩ min.)

5W: -5 - +5 V DC (Load resistance 5000 Ω min.)

0: Specify voltage (See OUTPUT SPECIFICATIONS)

[3] POWER INPUT

AC Power

B: 100 V AC
 C: 110 V AC
 D: 115 V AC
 F: 120 V AC
 G: 200 V AC
 H: 220 V AC
 J: 240 V AC

DC Power

S: 12 V DC
 R: 24 V DC
 V: 48 V DC

[4] OPTIONS

blank: none

/Q: With options (specify the specification)

SPECIFICATIONS OF OPTION: Q (multiple selections)

COATING (For the detail, refer to M-System's web site.)

/C01: Silicone coating
 /C02: Polyurethane coating
 /C03: Rubber coating

TERMINAL SCREW MATERIAL

/S01: Stainless steel

RELATED PRODUCTS

- Programming Unit (model: PU-2x)
- PC configurator software (model: JXCON)

Downloadable at M-System's web site.

A dedicated cable is required to connect the module to the PC. Please refer to the internet software download site or the users manual for the PC configurator for applicable cable types.

GENERAL SPECIFICATIONS

Construction: Plug-in

Connection: M3.5 screw terminals

Screw terminal: Chromated steel (standard) or stainless steel

Housing material: Flame-resistant resin (black)

Isolation: Input to output to power

Overrange output: Approx. -10 to +120 % at 1 - 5 V

Zero adjustment: -5 to +5 % (front)

Span adjustment: 95 to 105 % (front)

Linearization: 16 points max. represented as percentage of full-scale

Adjustments: Programming Unit (model: PU-2x); linearization data, zero and span, simulating output, etc. (Refer to the users manual of JXCON for the adjustments)

configurable with JXCON.)

SUPPLY OUTPUT

Output voltage: 24 - 28 V DC with no load

Current rating: ≤ 22 mA DC

- Shortcircuit Protection

Current limited: 30 mA max.

Protected time duration: No limit

INPUT SPECIFICATIONS

- DC Current: Input resistor incorporated

OUTPUT SPECIFICATIONS

- DC Current: 0 - 20 mA DC

Minimum span: 1 mA

Offset: Max. 1.5 times span

Load resistance: Output drive 15 V max.

- DC Voltage: -10 - +20 V DC

Span: Min. 5 mV, max. 20 V

Offset: Max. 1.5 times span

Load resistance: Output drive 1 mA max.; at ≥ 0.5 V

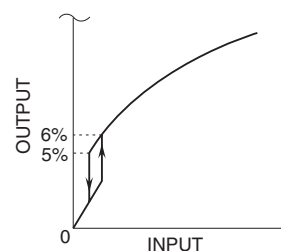
LINEARIZATION

- No linearization: The output is proportional to the input.
- Segment data: 16 points (15 segments) max. within the range of -15.00 to +115.00 % input or output represented as percentage of fullscale

- Square root extraction

Low-end cutout: 5 % (output); curve characteristics as in the figure below

- Square root extraction



• **Thermocouple linearizable range**

| T/C | USABLE RANGE | |
|---------|---------------|---------------|
| | °C | °F |
| (PR) | 0 to 1760 | 32 to 3200 |
| K (CA) | -270 to +1370 | -454 to +2498 |
| E (CRC) | -270 to +1000 | -454 to +1832 |
| J (IC) | -210 to +1200 | -346 to +2192 |
| T (CC) | -270 to +400 | -454 to +752 |
| B (RH) | 0 to 1820 | 32 to 3308 |
| R | -50 to +1760 | -58 to +3200 |
| S | -50 to +1760 | -58 to +3200 |

Note: For the temperatures that range below 0°C, the transmitter may partially not satisfy the described accuracy. Consult factory.

• **RTD linearizable range**

| RTD | USABLE RANGE | |
|-----------------------|--------------|---------------|
| | °C | °F |
| JPt 100 (JIS '89) | -200 to +500 | -328 to +932 |
| Pt 100 (JIS '89) | -200 to +650 | -328 to +1202 |
| Pt 100 (JIS '97, IEC) | -200 to +650 | -328 to +1202 |
| Pt 50Ω (JIS '81) | -200 to +500 | -328 to +932 |
| Ni 508.4Ω | -50 to +200 | -58 to +392 |

Note: Pt 100 (JIS '89) is deviated from Pt 100 (JIS '97) only within the described accuracy.

INSTALLATION

Power input

• **AC:** Operational voltage range: rating ±10 %, 50/60 ±2 Hz, approx. 3 VA

• **DC:** Operational voltage range: rating ±10 %, ripple 10 %p-p max., approx. 3 W (120 mA at 24 V)

Operating temperature: -5 to +55°C (23 to 131°F)

Operating humidity: 30 to 90 %RH (non-condensing)

Mounting: Surface or DIN rail

Weight: 350 g (0.77 lb)

PERFORMANCE in percentage of span

Accuracy: ±0.1 % with segment gain ≤ 1 [±0.1 % × gain] with segment gain > 1

Temp. coefficient: ±0.015 %/°C (±0.008 %/°F)

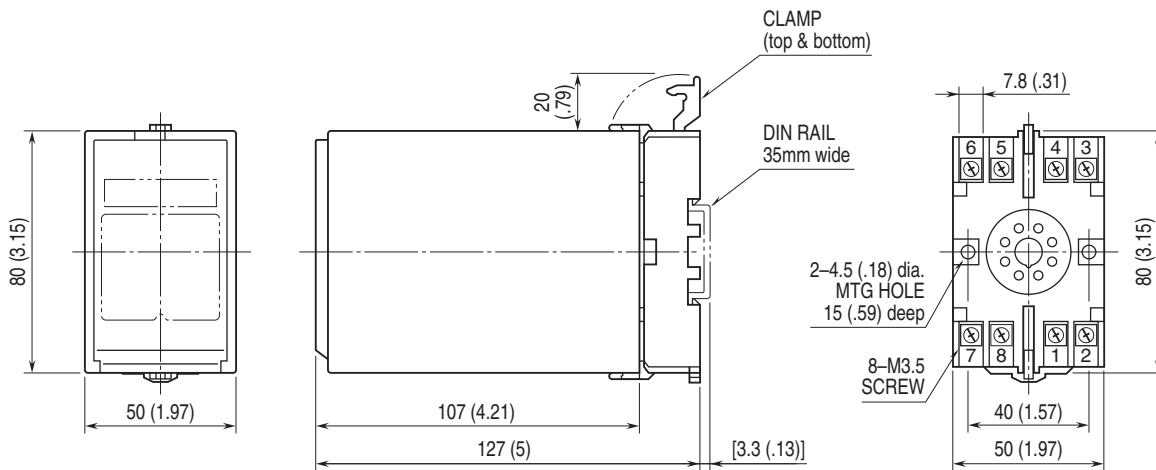
Response time: ≤ 0.5 sec. (0 - 90 %)

Line voltage effect: ±0.1 % over voltage range

Insulation resistance: ≥ 100 MΩ with 500 V DC

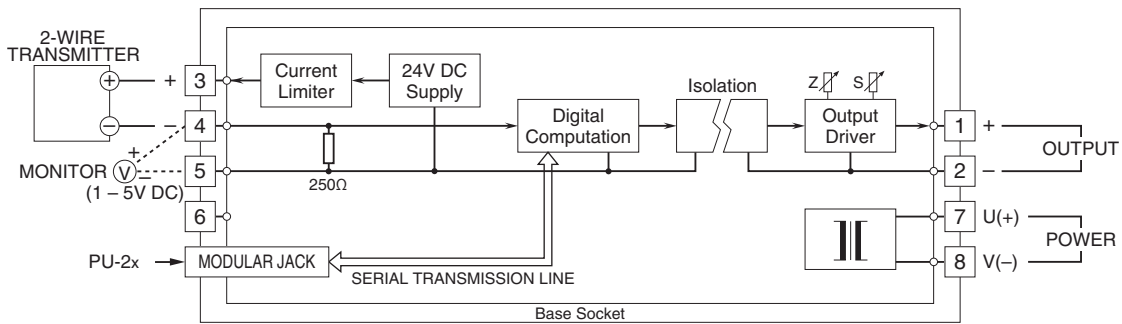
Dielectric strength: 2000 V AC @1 minute (input to output to power to ground)

EXTERNAL DIMENSIONS & TERMINAL ASSIGNMENTS unit: mm (inch)

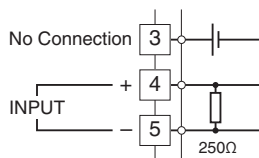


• When mounting, no extra space is needed between units.

SCHEMATIC CIRCUITRY & CONNECTION DIAGRAM



■When Used as Linearizer



Specifications are subject to change without notice.