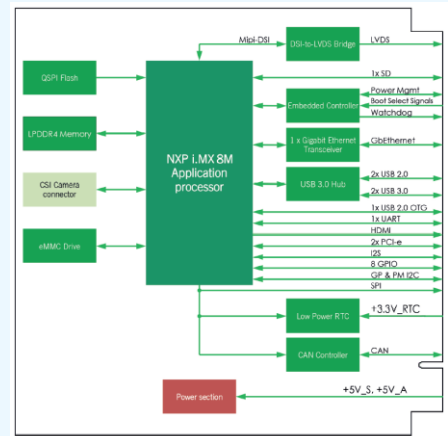


Product Name: Q7-B25



<p>Highlights</p>	<ul style="list-style-type: none"> • A scalable solution for applications like domotics or vending, requiring advanced security, connectivity and multimedia • Multicore processing: Dual or Quad ARM Cortex®-A53 cores + general purpose Cortex®-M4 processor • Integrated Cortex®-M4 processor for realtime applications • 4Kp60 HEVC decoding with HDR
<p>Part Number</p>	<p>Q7-B25</p>
<p>Main Fields of Application</p>	<ul style="list-style-type: none"> • Multimedia Devices • Digital Signage- Infotainment • Home Automation • Transportation • Vending
<p>Processor</p>	<p>NXP i.MX 8M Family based on ARM Cortex®-A53 cores + general purpose Cortex®-M4 processor:</p> <p>i.MX 8M Quad - 4x Cortex®-A53 cores up to 1.5GHz</p> <p>i.MX 8M Dual - 2x Cortex®-A53 cores up to 1.5GHz</p> <p>i.MX 8M QuadLite - 4x Cortex®-A53 cores up to 1.5GHz, no</p>
<p>Max Cores</p>	<p>4</p>
<p>Memory</p>	<p>Soldered Down LPDDR4-3200 memory, 32-bit interface, up to 4GB</p>
<p>Graphics</p>	<p>Integrated Graphics Processing Unit, supports 2 independent displays</p> <p>Embedded VPU, supports HW decoding of HEVC (H.265), H.264, H.263, MPEG-4, MPEG-2, AVC, VC-1, RV, DivX, VP6, VP8, VP9, JPEG</p> <p>Supports OpenGL ES 3.1, Open CL 1.2. OpenGL 2.X, Vulkan</p>
<p>Video Interface</p>	<p>HDMI 2.0a interface, supporting HDCP 2.2 and HDCP 1.4</p> <p>18- / 24-bit Dual Channel LVDS interface</p>
<p>Video Resolution</p>	<p>HDMI: up to 4096 x 2160p60</p> <p>LVDS: up to 1920 x 1080 @ 60Hz</p>



Mass Storage	eMMC 5.0 drive soldered on-board SD 4-bit interface QSPI Flash soldered-onboard
Networking	1 x Gigabit Ethernet interface
USB	2 x USB 2.0 Host Ports 2 x USB 3.0 Host Ports 1 x USB 2.0 OTG port
PCI-e	2x PCI-e x1 ports
Audio	I2S Audio Interface
Serial Ports	1x UART Tx/Rx/RTS/CTS 1x CAN Bus (TTL level)
Power Supply	+5VDC [] 5%
Operating System	Linux Android
Operating Temperature	0°C - +60°C (Commercial version) -40°C - +85°C (Industrial version)
Dimensions	70 x 70 mm (2.76" x 2.76")