

RLD-2240

50/60 HZ TRANSFORMERS

DUAL/TRAN™

DESCRIPTION

- Dual Transformer

ENVIRONMENTAL DATA

- Storage temperature range: -55°C to +130°C
- Operating temperature range: -40°C to +130°C

PACKAGING INFORMATION

- Packaging information: pg. 508

FEATURES & APPLICATIONS

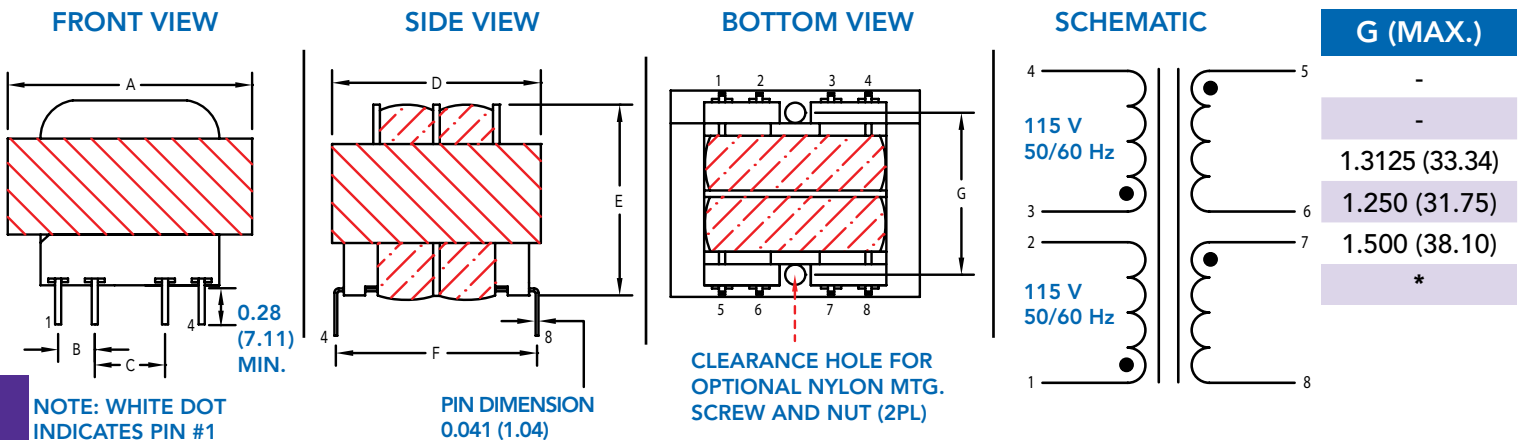
- Advanced design and manufacturing techniques of using split bobbins and nonconcentric winding of the primary and secondary results in low interwinding capacitive coupling and eliminates the need for electrostatic shielding
- Avoids crossover of primary and secondary leads
- Can be used in a wide variety of applications since they can be supplied with single 115 VAC or dual 115/230 VAC primaries for 50/60 Hz operation

Verify operation with sample in actual circuit. Order samples at www.rencousa.com.

MECHANICAL DIMENSIONS

U.S. Standard (mm)

PART NUMBER	SIZE	VA	A (MAX.)	B (TYP.)	C (TYP.)	D (MAX.)	E (MAX.)	F (TYP.)
RLD-2240	2	1.1	1.375 (34.93)	0.25 (6.35)	0.25 (6.35)	1.1250 (28.58)	0.9375 (23.81)	1.20 (30.48)
RLD-2240	3	2.4	1.375 (34.93)	0.25 (6.35)	0.25 (6.35)	1.1250 (28.58)	1.1875 (30.16)	1.20 (30.48)
RLD-2240	4	6	1.625 (41.28)	0.25 (6.35)	0.30 (8.89)	1.3125 (33.34)	1.3125 (33.34)	1.28 (32.51)
RLD-2240	5	12	1.875 (47.63)	0.30 (7.62)	0.40 (10.16)	1.5625 (39.69)	1.4375 (36.51)	1.41 (35.81)
RLD-2240	6	20	2.250 (57.15)	0.30 (7.62)	0.40 (10.16)	1.8750 (47.63)	1.4375 (36.51)	1.60 (40.64)
RLD-2240	7	36	2.625 (66.68)	0.40 (10.16)	0.40 (10.16)	2.1875 (55.56)	1.5625 (39.69)	1.85 (46.99)



RLD-2240

Renco Part Number Single 115/230V 8 Pin	SECONDARY RMS RATING Series	Parallel
RLD-2240-2-10	10V C.T. @ 0.11 A	5V @ 0.22 A
RLD-2240-3-10	10V C.T. @ 0.25 A	5V @ 0.50 A
RLD-2240-4-10	10V C.T. @ 0.60 A	5V @ 1.20 A
RLD-2240-5-10	10V C.T. @ 1.20 A	5V @ 2.40 A
RLD-2240-6-10	10V C.T. @ 2.00 A	5V @ 4.00 A
RLD-2240-7-10	10V C.T. @ 3.60 A	5V @ 7.20 A
RLD-2240-2-12	12.6V C.T. @ 0.09 A	6.3V @ 0.18 A
RLD-2240-3-12	12.6V C.T. @ 0.20 A	6.3V @ 0.40 A
RLD-2240-4-12	12.6V C.T. @ 0.50 A	6.3V @ 1.00 A
RLD-2240-5-12	12.6V C.T. @ 1.00 A	6.3V @ 2.00 A
RLD-2240-6-12	12.6V C.T. @ 1.60 A	6.3V @ 3.20 A
RLD-2240-7-12	12.6V C.T. @ 2.85 A	6.3V @ 5.70 A
RLD-2240-2-16	16V C.T. @ 0.07 A	8V @ 0.14 A
RLD-2240-3-16	16V C.T. @ 0.15 A	8V @ 0.30 A
RLD-2240-4-16	16V C.T. @ 0.40 A	8V @ 0.80 A
RLD-2240-5-16	16V C.T. @ 0.80 A	8V @ 1.60 A
RLD-2240-6-16	16V C.T. @ 1.25 A	8V @ 2.50 A
RLD-2240-7-16	16V C.T. @ 2.25 A	8V @ 4.50 A
RLD-2240-2-20	20V C.T. @ 0.05 A	10V @ 0.11 A
RLD-2240-3-20	20V C.T. @ 0.12 A	10V @ 0.24 A
RLD-2240-4-20	20V C.T. @ 0.30 A	10V @ 0.60 A
RLD-2240-5-20	20V C.T. @ 0.60 A	10V @ 1.20 A
RLD-2240-6-20	20V C.T. @ 1.00A	10V @ 2.00 A
RLD-2240-7-20	20V C.T. @ 1.80 A	10V @ 3.60 A
RLD-2240-2-24	24V C.T. @ 0.045 A	12V @ 0.09 A
RLD-2240-3-24	24V C.T. @ 0.10 A	12V @ 0.20 A
RLD-2240-4-24	24V C.T. @ 0.25 A	12V @ 0.50 A
RLD-2240-5-24	24V C.T. @ 0.50 A	12V @ 1.00 A
RLD-2240-6-24	24V C.T. @ 0.80 A	12V @ 1.60 A
RLD-2240-7-24	24V C.T. @ 1.50 A	12V @ 3.00 A
RLD-2240-2-28	28V C.T. @ 0.04 A	14V @ 0.08 A
RLD-2240-3-28	28V C.T. @ 0.085 A	14V @ 0.17 A
RLD-2240-4-28	28V C.T. @ 0.20 A	14V @ 0.40 A
RLD-2240-5-28	28V C.T. @ 0.42 A	14V @ 0.84 A
RLD-2240-6-28	28V C.T. @ 0.70 A	14V @ 1.40 A
RLD-2240-7-28	28V C.T. @ 1.30 A	14V @ 2.60 A
RLD-2240-2-36	36V C.T. @ 0.03 A	18V @ 0.06 A
RLD-2240-3-36	36V C.T. @ 0.065 A	18V @ 0.13 A
RLD-2240-4-36	36V C.T. @ 0.17 A	18V @ 0.34 A
RLD-2240-5-36	36V C.T. @ 0.35 A	18V @ 0.70 A
RLD-2240-6-36	36V C.T. @ 0.55 A	18V @ 1.10 A
RLD-2240-7-36	36V C.T. @ 1.00 A	18V @ 2.00 A

PART NUMBER	VA	SIZE	OPTIONAL MTG SCREW NUT
RLD-2240	2	1.1	NONE
RLD-2240	3	2.4	NONE
RLD-2240	4	6	4-40 NYLON
RLD-2240	5	12	4-40 NYLON
RLD-2240	6	20	4-40 NYLON
RLD-2240	7	36	*

* SIZE 7 HAS 4 MOUNTING HOLES ON 2.1875 (55.56) X 1.75 (44.45) CENTERS FOR A #6 SCREW. NEED NOT BE NYLON.

RLD-2240 TABLE CONTINUES ON FOLLOWING PAGE

NOTES:
1. ELECTRICAL SPECIFICATIONS MEASURED AT 25°C



RENCO ELECTRONICS INC.

595 International Place, Rockledge, FL 32955-4200 USA • www.rencousa.com • ISO 9001 Certified
Toll Free Engineering Hot Line: 800.645.5828 • P: 321.637.1000 • F: 321.637.1600



RLD-2240

Renco Part Number		SECONDARY RMS RATING	
Single 115/230V	8 Pin	Series	Parallel
RLD-2240-2-48		48V C.T. @ 0.023 A	24V @ 0.046 A
RLD-2240-3-48		48V C.T. @ 0.05 A	24V @ 0.10 A
RLD-2240-4-48		48V C.T. @ 0.125 A	24V @ 0.25 A
RLD-2240-5-48		48V C.T. @ 0.25 A	24V @ 0.50 A
RLD-2240-6-48		48V C.T. @ 0.40 A	24V @ 0.80 A
RLD-2240-7-48		48V C.T. @ 0.75 A	24V @ 1.50 A
RLD-2240-2-56		56V C.T. @ 0.02 A	28V @ 0.042 A
RLD-2240-3-56		56V C.T. @ 0.045 A	28V @ 0.09 A
RLD-2240-4-56		56V C.T. @ 0.11 A	28V @ 0.22 A
RLD-2240-5-56		56V C.T. @ 0.22 A	28V @ 0.44 A
RLD-2240-6-56		56V C.T. @ 0.35 A	28V @ 0.70 A
RLD-2240-7-56		56V C.T. @ 0.65 A	28V @ 1.30 A
RLD-2240-2-120		120V C.T. @ 0.01 A	60V @ 0.02 A
RLD-2240-3-120		120V C.T. @ 0.02 A	60V @ 0.04 A
RLD-2240-4-120		120V C.T. @ 0.05 A	60V @ 0.10 A
RLD-2240-5-120		120V C.T. @ 0.10 A	60V @ 0.20 A
RLD-2240-6-120		120V C.T. @ 0.16 A	60V @ 0.32 A
RLD-2240-7-120		120V C.T. @ 0.30 A	60V @ 0.60 A

NOTES:

1. ELECTRICAL SPECIFICATIONS MEASURED AT 25°C

PART NUMBER	PART WEIGHT
RLD-2240-2	73.0g (2.58oz)
RLD-2240-3	112.0g (3.95oz)
RLD-2240-4	179.0g (6.31oz)
RLD-2240-5	296.0g (10.44oz)
RLD-2240-6	372.0g (13.12oz)
RLD-2240-7	519.0g (18.31oz)

