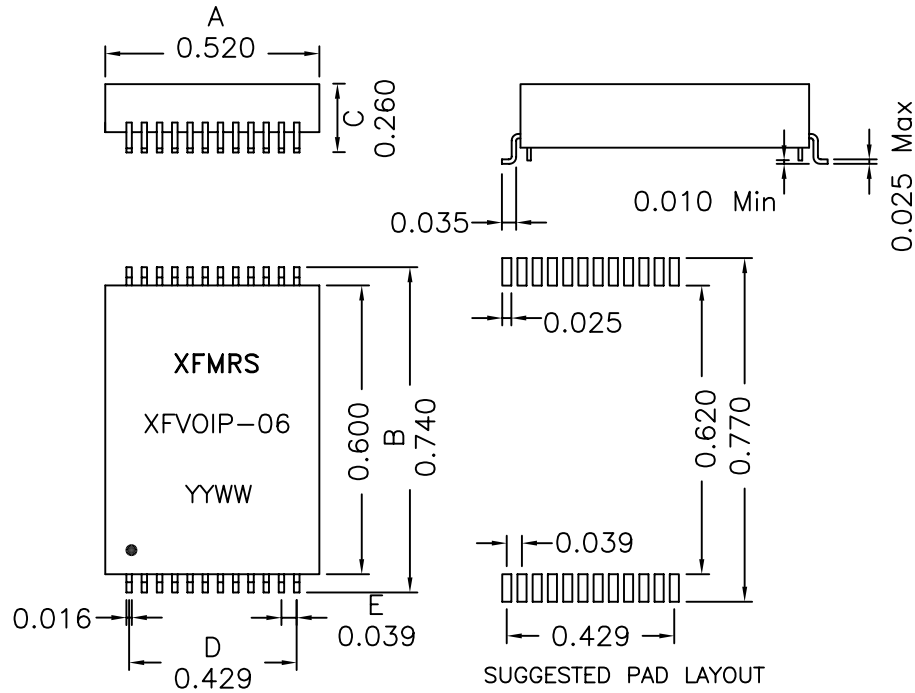


## 1. Dimensions:



## 3. Electrical Specifications: @25°C

ISOLATION: 1500 Vrms

INSERTION LOSS: -1.2dB MAX @1MHz-100MHz

PRI OCL: 350 uH Min @100KHz 100mV 8mADC

RETURN LOSS: 16dB Min @1-30MHz

14dB Min @40MHz

13dB Min @50MHz

12dB Min @60-80MHz

Differential to Common Mode Rejection:

-50dB Min @30MHz

-43dB Min @60MHz

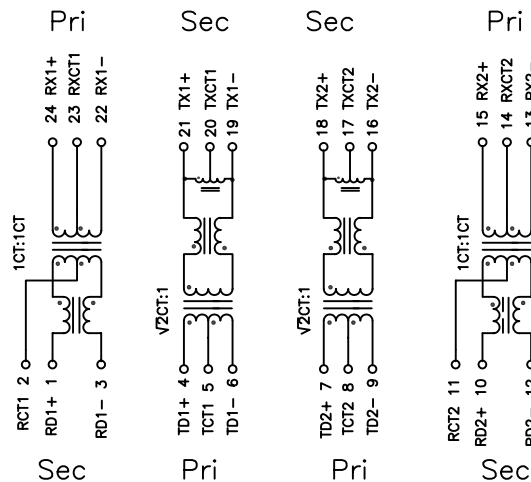
-35dB Min @100MHz

Crosstalk: -45dB Min @30MHz

-40dB Min @60MHz

-35dB Min @100MHz

## 2. Schematic:



DOC. REV: A/2

### Notes:

1. Solderability: Leads shall meet MIL-STD-202, Method 208D for solderability.
2. Flammability: UL94V-0
3. ASTM oxygen index: > 28%
4. Insulation System: Class F 155°C. UL file E151556
5. Operating Temperature Range: -40°C to +85°C

<b>XFMRS Inc</b>	Title: 10/100TX DUAL MAGNETICS MODULES	
	UNLESS OTHERWISE SPECIFIED TOLERANCES: .xxx ±0.010 Dimensions in INCH	P/N: XFVOIP-06 REV. A
	DWN.	李小锋 Jul-05-02
	CHK.	廖玉坤 Jul-05-02
SCALE 2:1 SHT 1 OF 1	APP.	Joe Huff Jul-05-02