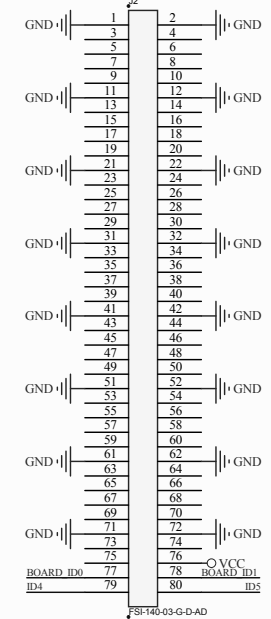
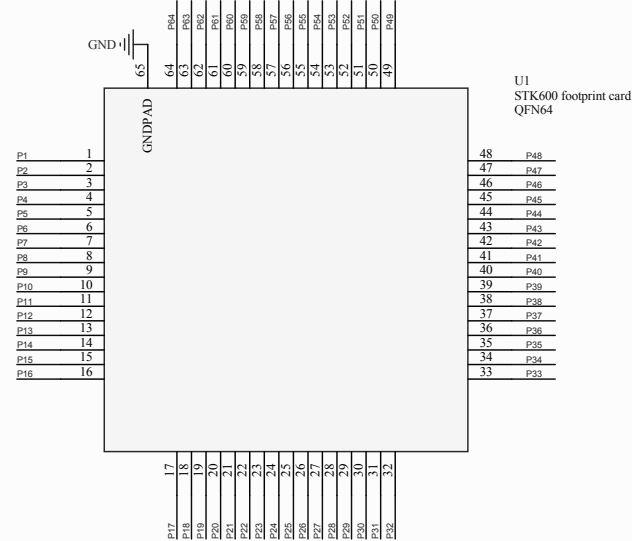
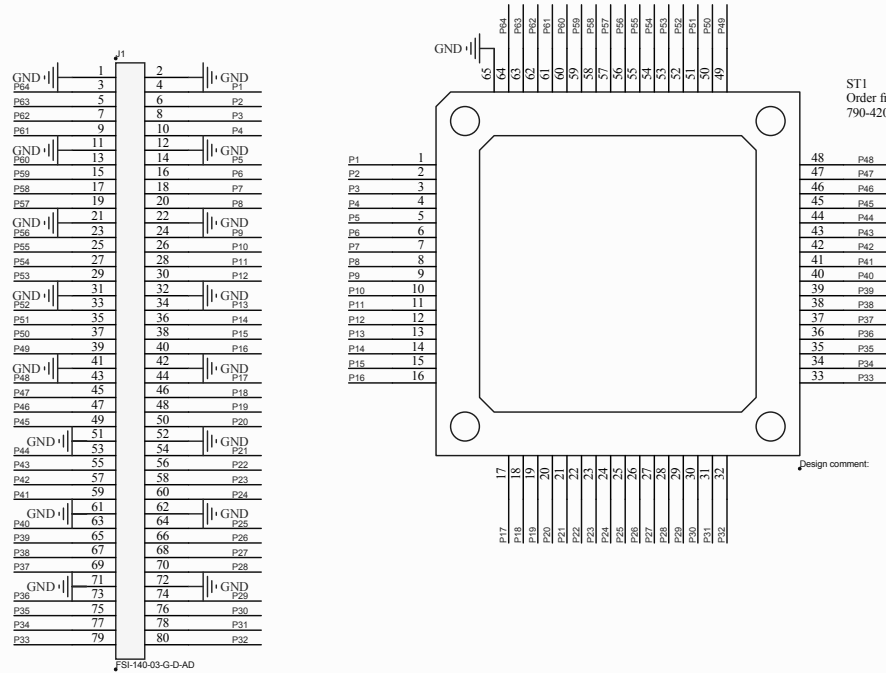
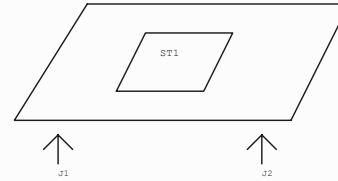


QFN-64 Socket/footprint card



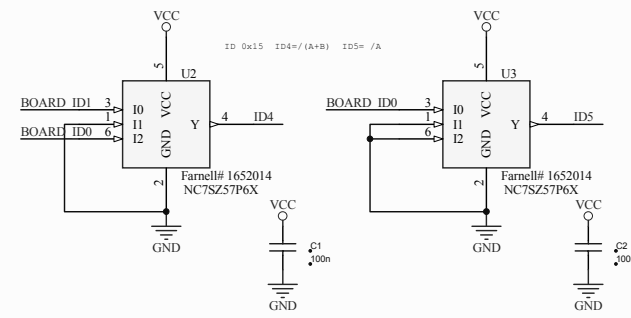
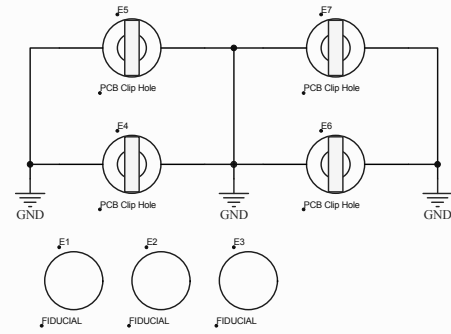
FSI-140-03-G-D-AD

FSI-140-03-G-D-AD

Z1
Document
STK600-MLF64 PCBA Documentation

LABEL1
Product number/revision
Serial number
Label PCBA

PCB1
PCB
A08-0547
Design comment:



Title		QFN-64 Socket/footprint Card	
Size	Document Number	Rev	2
Date:	Sheet	of	1