



**LC7215, 7215F, 7215FM**

**MW/LW PLL Frequency Synthesizers**

**Overview**

The LC7215, LC7215F and LC7215FM are phase-locked-loop frequency synthesizer LSIs that provide accurate reference frequencies over the MW and LW bands, making them ideally suited for AM tuners.

**Features**

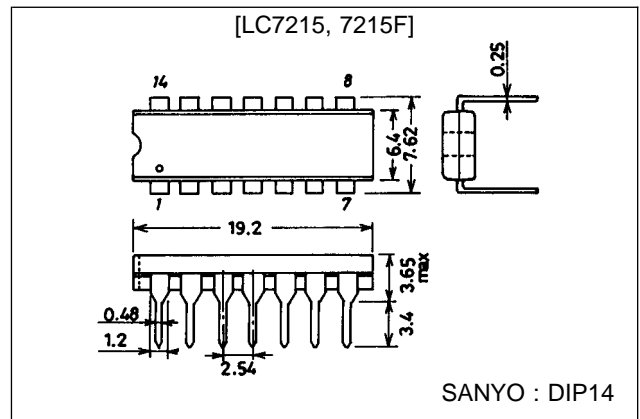
- PLL frequency synthesizer LSIs for MW and LW bands.
- Reference frequencies of 1, 5, 9 and 10 kHz.
- On-chip transistor for the low-pass filter amplifier.
- Single output pin (CMOS output)
- Controller clock output pin.
- Time-base output pin.
- All devices can be used for double conversion demodulation.
- The LC7215F and 7215FM have expanded input frequency ranges.

LC7215	0.5 to 13 MHz	: (DIP14)
LC7215F/FM	0.5 to 20 MHz	: (DIP14/MFP14S)

**Package Dimensions**

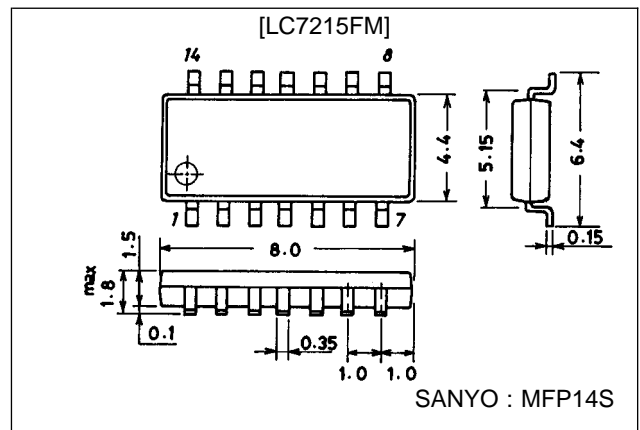
unit : mm

**3003A-DIP14**



unit : mm

**3111-MFP14S**



## LC7215, 7215F, 7215FM

### Specifications

#### Absolute Maximum Ratings at $T_a = 25^\circ\text{C}$ , $V_{SS} = 0\text{ V}$

Values in parentheses are for the LC7215F and LC7215FM.

Parameter	Symbol	Conditions	Ratings	Unit
Maximum supply voltage	$V_{DD\text{ max}}$	$V_{DD}$	-0.3 to +6.5	V
Input voltage	$V_{IN1}$	All input pins	-0.3 to $V_{DD} + 0.3$	V
	$V_{IN2}$	CE, CL, DATA	(Note) -0.3 to +6.5	V
Output current	$I_{OUT}$	AOUT	0 to 5	mA
Output voltage	$V_{OUT1}$	AOUT	-0.3 to +15	V
	$V_{OUT2}$	$\overline{SYC}$ , $\overline{TB}$	-0.3 to +6.5	V
	$V_{OUT3}$	All output pins except $V_{OUT1}$ and $V_{OUT2}$	-0.3 to $V_{DD} + 0.3$	V
Allowable power dissipation	$P_d\text{ max}$	$T_a \leq 85^\circ\text{C}$	150	mW
Operating temperature	$T_{opr}$		-40 to +85	$^\circ\text{C}$
Storage temperature	$T_{stg}$		-55 to +125	$^\circ\text{C}$

Note: Voltage that is applied to the resistors when resistors totaling at least 10 k $\Omega$  are connected to a pin in series.

#### Allowable Operating Conditions at $V_{SS} = 0\text{ V}$

Values in parentheses are for the LC7215F and LC7215FM.

Parameter	Symbol	Conditions	min	typ	max	Unit
Supply voltage	$V_{DD1}$	$V_{DD}$	(4.5)3.0		(5.5)5.5	V
	$V_{DD2}$	$V_{DD}$ (Crystal OSC oscillation guaranteed)	3.0		5.5	V
High-level input voltage	$V_{IH}$	CE, CL, DATA	2.0		$V_{DD1}$	V
Low-level input voltage	$V_{IL}$	CE, CL, DATA	0		0.5	V
Output voltage	$V_{OUT1}$	AOUT			13	V
	$V_{OUT2}$	$\overline{SYC}$ , $\overline{TB}$			5.5	V
Input frequency	$f_{IN1}$	PIN: Sine wave, capacitive coupling $V_{DD1}$ , *S = 1	(2.3)2.3		(20)13	MHz
	$f_{IN2}$	PIN: Sine wave, capacitive coupling $V_{DD1}$ , *S = 0	0.5		2.5	MHz
Oscillation guaranteed crystal oscillator	X'tal	XIN, XOUT: $C_I \leq 30\ \Omega$	8.00	11.16	12.00	MHz
Input amplitude	$V_{IN1}$	PIN: Square wave, capacity connection $V_{DD1}$ , *S = 1	100		1000	mVrms
	$V_{IN2}$	PIN: Square wave, capacity connection $V_{DD1}$ , *S = 0	100		1000	mVrms
Power supply	—	$V_{DD}$ , $V_{SS}$ : A capacitor of at least 1000 pF must be inserted.	1000			pF

## LC7215, 7215F, 7215FM

### Electrical Characteristics within the allowable operating ranges

Values in parentheses are for LC7215F and LC7215FM.

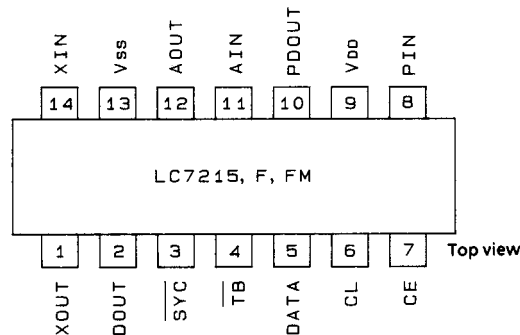
Parameter	Symbol	Conditions	min	typ	max	Unit
High-level input currents	I <sub>IH1</sub>	XIN: V <sub>I</sub> = V <sub>DD</sub>			20	μA
	I <sub>IH2</sub>	PIN: V <sub>I</sub> = V <sub>DD</sub>			40	μA
	I <sub>IH3</sub>	CE, CL, DATA: V <sub>I</sub> = V <sub>DD</sub>			3.0	μA
	I <sub>IH4</sub>	AIN: V <sub>I</sub> = V <sub>DD</sub>		0.01	1.0	μA
Low-level input currents	I <sub>IL1</sub>	XIN: V <sub>I</sub> = V <sub>SS</sub>			20	μA
	I <sub>IL2</sub>	PIN: V <sub>I</sub> = V <sub>SS</sub>			40	μA
	I <sub>IL3</sub>	CE, CL, DATA: V <sub>I</sub> = V <sub>SS</sub>			3.0	μA
	I <sub>IL4</sub>	AIN: V <sub>I</sub> = V <sub>SS</sub>		0.01	1.0	μA
High-level output voltages	V <sub>OH1</sub>	DOUT: I <sub>O</sub> = 1 mA	V <sub>DD</sub> -1.0			V
	V <sub>OH2</sub>	PDOUT: I <sub>O</sub> = 0.5 mA	V <sub>DD</sub> -1.0			V
Low-level output voltages	V <sub>OL1</sub>	DOUT: I <sub>O</sub> = -1 mA			1.0	V
	V <sub>OL2</sub>	PDOUT: I <sub>O</sub> = -0.5 mA			1.0	V
	V <sub>OL4</sub>	SYC, TB: I <sub>O</sub> = 0.5 mA			1.0	V
	V <sub>OL5</sub>	AOUT: I <sub>O</sub> = 1 mA			1.0	V
Output off-state leakage currents	I <sub>OFF1</sub>	SYC, TB: V <sub>O</sub> = V <sub>DD</sub>			3.0	μA
	I <sub>OFF2</sub>	AOUT: V <sub>O</sub> = 13 V			5.0	μA
Tristate output High-level off-state leakage current	I <sub>OFFH</sub>	PDOUT: V <sub>O</sub> = V <sub>DD</sub>		0.01	1.0	nA
Tristate output Low-level off-state leakage current	I <sub>OFFL</sub>	PDOUT: V <sub>O</sub> = V <sub>SS</sub>		0.01	1.0	nA
High-level output voltage	V <sub>OH3</sub>	XOUT: I <sub>O</sub> = -0.1 mA	V <sub>DD</sub> -1.0			V
Low-level output voltage	V <sub>OL3</sub>	XOUT: I <sub>O</sub> = 0.1 mA			1.0	V
Supply current	I <sub>DD1</sub>	V <sub>DD</sub> : f <sub>IN1</sub> = 13 MHz, *S = 1 (High speed) (Note 1)			10	mA
		f <sub>IN1</sub> = 20 MHz, *S = 1 (High speed) (Note 1)			(12)	mA
	I <sub>DD2</sub>	V <sub>DD</sub> : f <sub>IN1</sub> = 2.5 MHz, *S = 0 (Low speed) (Note 1)			5	mA
	I <sub>DD3</sub>	V <sub>DD</sub> : V <sub>DD</sub> = 5.5 V, *O = 0, P = 1 (Note 2)		1.2	2.0	mA
		V <sub>DD</sub> : V <sub>DD</sub> = 4.5 V, *O = 0, P = 1 (Note 2)		0.7	1.5	mA
V <sub>DD</sub> : V <sub>DD</sub> = 3.0 V, *O = 0, P = 1 (Note 2)			0.4	1.0	mA	

\* S, O and P are serial control bits.

Note 1. V<sub>IN1</sub> = V<sub>IN2</sub> = 100 mVms. The 11.16 MHz crystal is connected to XIN and XOUT. All other inputs are connected to V<sub>SS</sub> and all other outputs are open.

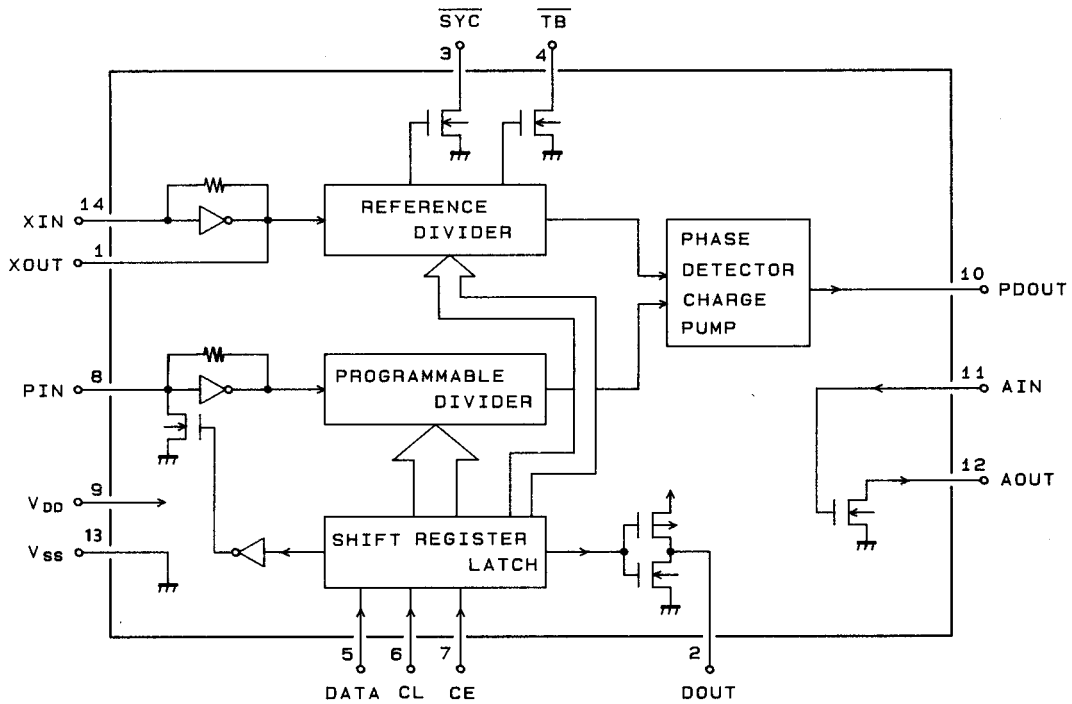
2. The 11.16 MHz crystal is connected to XIN and XOUT. All other inputs are connected to V<sub>DD</sub> and all other outputs are open. (Backup mode when PLL is halted.)

### Pin Assignment



# LC7215, 7215F, 7215FM

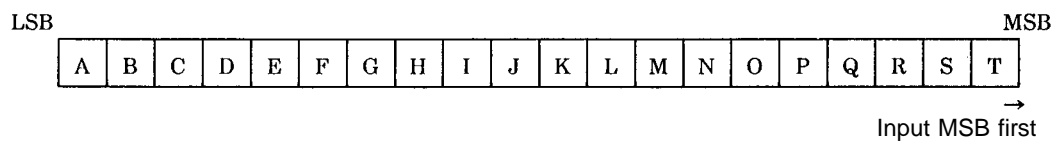
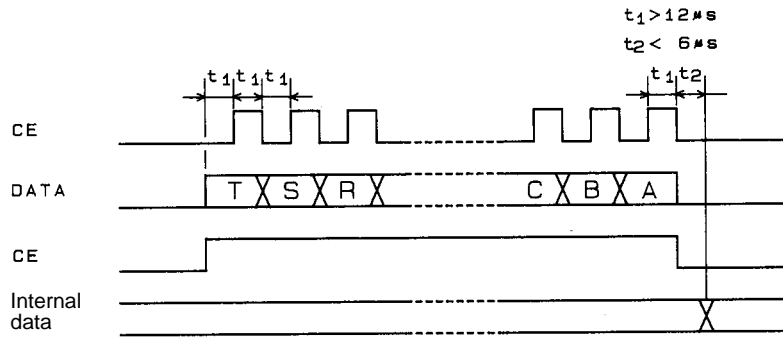
## Block Diagram



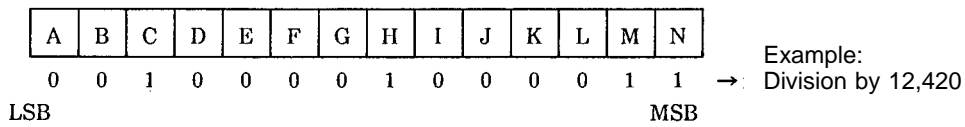
## Pin Description

Name	Description
XIN, XOUT	11.16 MHz crystal oscillator connection, feedback resistance built-in
PIN	Local oscillator signal input
V <sub>DD</sub> , V <sub>SS</sub>	Power supply
DATA, CL, CE	Data input
DOUT	Single bit data output
AIN, AOUT	Low-pass filter amplifier
PDOUT	Charge pump output
$\overline{\text{TB}}$	8 Hz time-base output
$\overline{\text{SYC}}$	60 kHz controller clock output

Data Input



(1) A to N: Divider data



(2) O, P: Mode selection

Mode	O	P	DOUT	TB	Operation
NOR1	0	0	T	8 Hz	Normal operation (with PLL operating)
NOR2	0	1	T	8 Hz	Normal operation (backup when PLL is halted)
TEST1	1	0			(Device test mode)
TEST2	1	1			(Device test mode)

(3) Q, R: Reference frequency selection

Q	R	Reference frequency
0	0	9 kHz
0	1	10 kHz
1	0	1 kHz
1	1	5 kHz

(4) S: Programmable divider input sensitivity switch

S = 1: for High speed  
S = 0: for Low speed

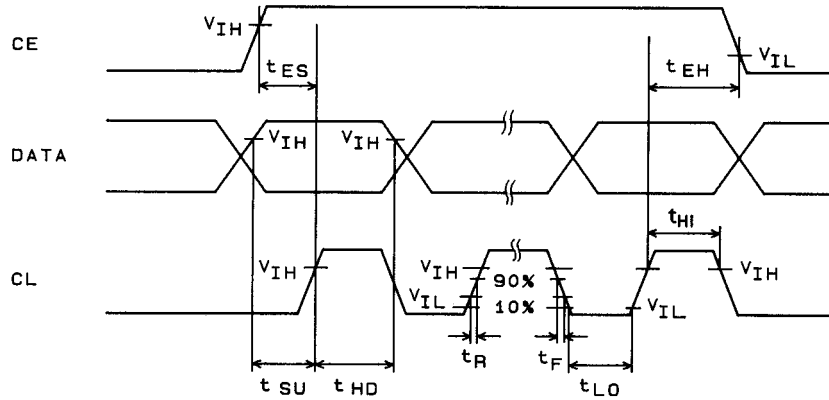
(5) T: Output to DOUT

T = 1: DOUT = 1  
T = 0: DOUT = 0

# LC7215, 7215F, 7215FM

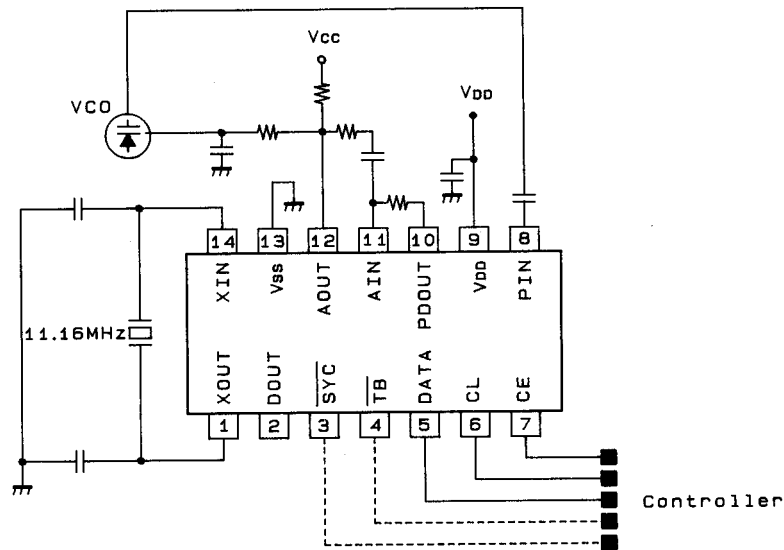
## Data Input Timing

$V_{IH} = 2.0$  to  $V_{DD}$ ,  $V_{IL} = 0$  to  $0.5$  V  
 $X'tal = 8.00$  to  $11.16$  (typ) to  $12.00$  MHz  
 Data latch: Rising edge of CL

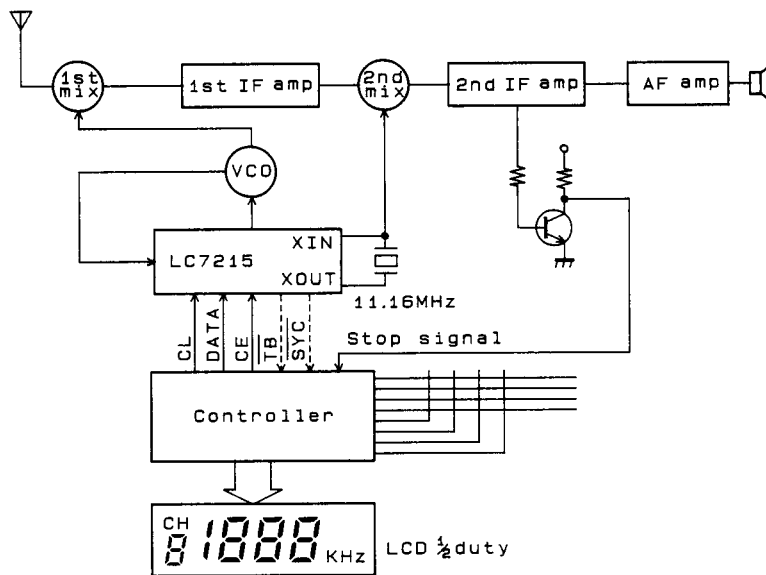


Item	Symbol	11.16 MHz crystal	Other crystal frequencies	Effective value
Enable setup time	$t_{ES}$	At least 12 $\mu$ s	At least $2 \times (1/f_{Xtal} \times 62)$	1/2 of the value shown at left
Enable hold time	$t_{EH}$	↑	↑	
Data setup time	$t_{SU}$	↑	↑	
Data hold time	$t_{HD}$	↑	↑	
Clock Low-level time	$t_{LO}$	↑	↑	
Clock High-level time	$t_{HI}$	↑	↑	
Rise time	$t_R$	1 $\mu$ s or less	1 $\mu$ s or less	
Fall time	$t_F$	↑	↑	

(1) Sample Application Circuit



(2) Double-conversion Receiver



- No products described or contained herein are intended for use in surgical implants, life-support systems, aerospace equipment, nuclear power control systems, vehicles, disaster/crime-prevention equipment and the like, the failure of which may directly or indirectly cause injury, death or property loss.
- Anyone purchasing any products described or contained herein for an above-mentioned use shall:
  - ① Accept full responsibility and indemnify and defend SANYO ELECTRIC CO., LTD., its affiliates, subsidiaries and distributors and all their officers and employees, jointly and severally, against any and all claims and litigation and all damages, cost and expenses associated with such use:
  - ② Not impose any responsibility for any fault or negligence which may be cited in any such claim or litigation on SANYO ELECTRIC CO., LTD., its affiliates, subsidiaries and distributors or any of their officers and employees jointly or severally.
- Information (including circuit diagrams and circuit parameters) herein is for example only; it is not guaranteed for volume production. SANYO believes information herein is accurate and reliable, but no guarantees are made or implied regarding its use or any infringements of intellectual property rights or other rights of third parties.

This catalog provides information as of December, 1997. Specifications and information herein are subject to change without notice.