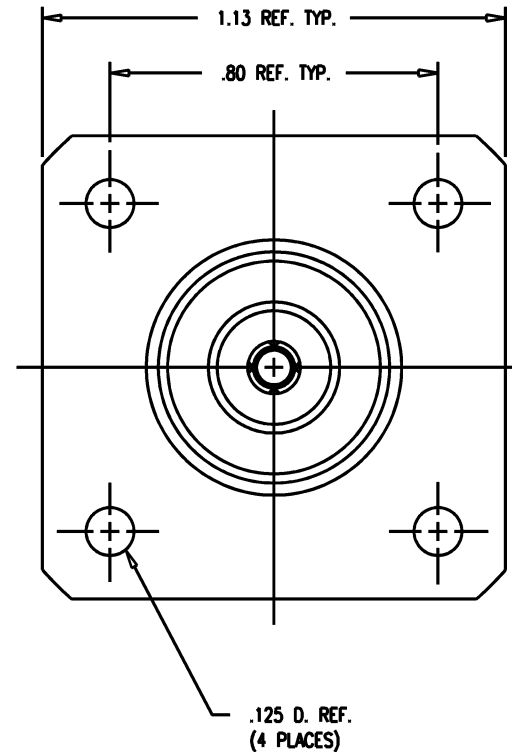
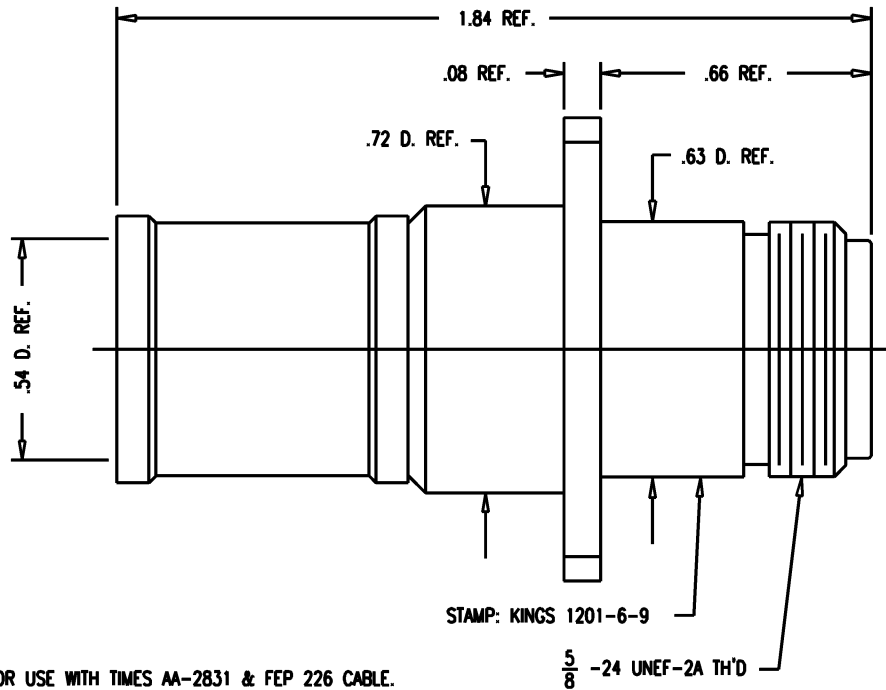


GSD

1201-6-9



NOTES:

1. FOR USE WITH TIMES AA-2831 & FEP 226 CABLE.
2. FOR CABLING INSTRUCTIONS SEE CP-5402.
3. FOR CABLE TRIMMING USE KTJ-223 & KTD-404.
4. FOR CRIMPING USE DIE KTH-2177.
5. INTERFACE PER MIL-STD-348, FIG. 304-2.
6. CONTACT (1-5881-1MA9) TO BE SUPPLIED UNASSEMBLED.
7. MATERIALS:
 INSULATOR: TEFLON, ASTM-D-1457
 CENTER CONTACT: BER. COPPER, ASTM-B-196
 K-GRIP SLEEVE: COM. BRONZE TUBE, ALLOY 220
 ALL OTHER METAL PARTS: BRASS, ASTM-B16
8. FINISHES:
 CENTER CONTACT: HARD GOLD PLATE, PER MIL-G-45204
 ALL OTHER METAL PARTS: KINGS TARNISH RESISTANT FINISH (TR-5)
9. ELECTRICAL CHARACTERISTICS:
 NOMINAL IMPEDANCE: 50 OHMS
 WORKING VOLTAGE: 1000 VRMS
 FREQUENCY RANGE: DC TO 11 GHz

REVISIONS

ISSUE	CHANGES	
0	ER JCA	33702 01/31/92

JCA2473

SCALE 3:1	
APPROX SURFACE AREA	
WAS: E-15882	
USED ON	
REF: BOEING	
JACK, PANEL, N	
DRAWN JCA	DATE 01/31/92
DESIGN MJB	DATE 02/03/92
APPR.	DATE

KINGS
 ELECTRONICS CO., INC.
 TUCKAHOE, NEW YORK 10707

1201-6-9

GSD