

6.0 RETURN LOSS:

1MHz TO 30MHz : 18dB MIN.
60MHz TO 80MHz : 12dB MIN.

7.0 VOLTAGE WITHSTAND:

(J3, J6) TO (P1, P2) : 1500 VAC
(J1, J2) TO (P8,P7) : 1500 VAC

8.0 INSERTION LOSS:

100KHz TO 100MHz 1.1 dB TYP

9.0 RISE TIME:

OUTPUT VOLTAGE = 1 V peak 3.0 nS MAX
PULSE WIDTH= 112nS 3.0 nS MAX

10.0 CROSS TALK:

1MHz TO 100MHz 35 dB TYP

11.0 COMMON TO COMMON MODE ATTENUATION:

1MHz TO 100MHz 35dB TYP

InNet Technologies Inc.

<http://www.innet-tech.com>

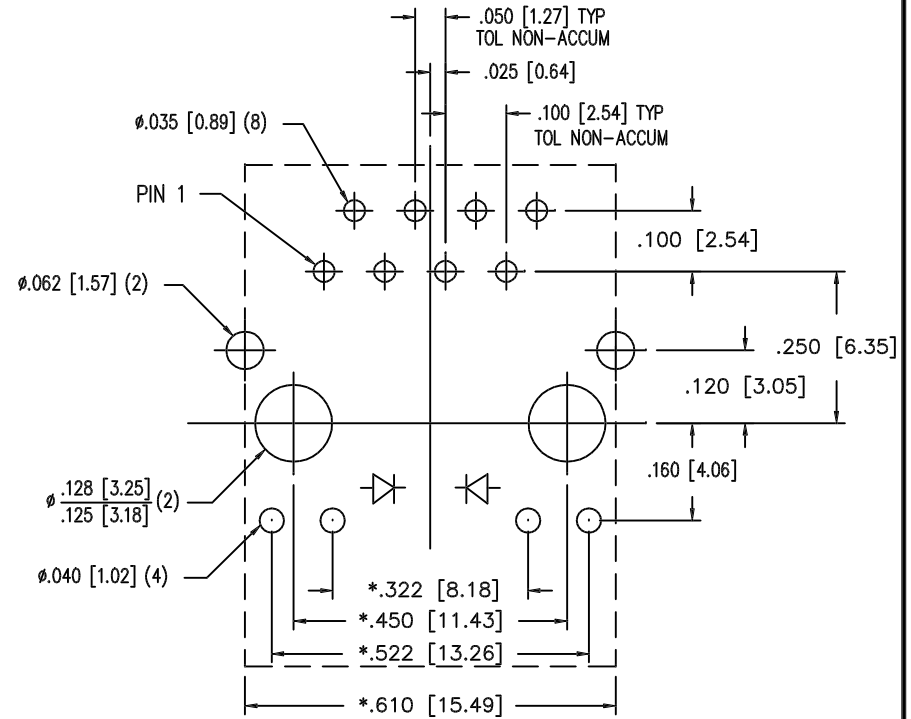
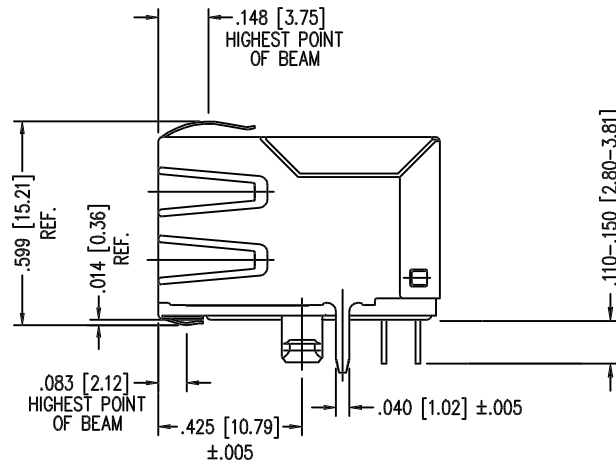
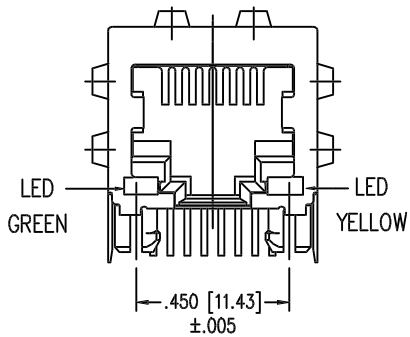
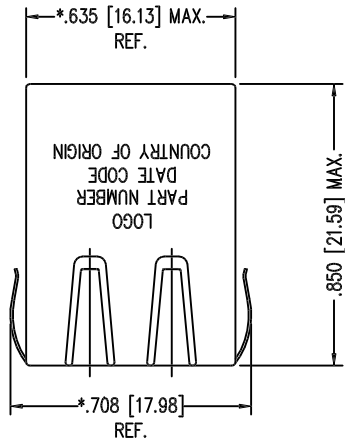
Stewart Connector Systems

<http://www.stewartconnector.com>

SHEET
2 of 4

DRAWING NO. SI-40239

REV. 02



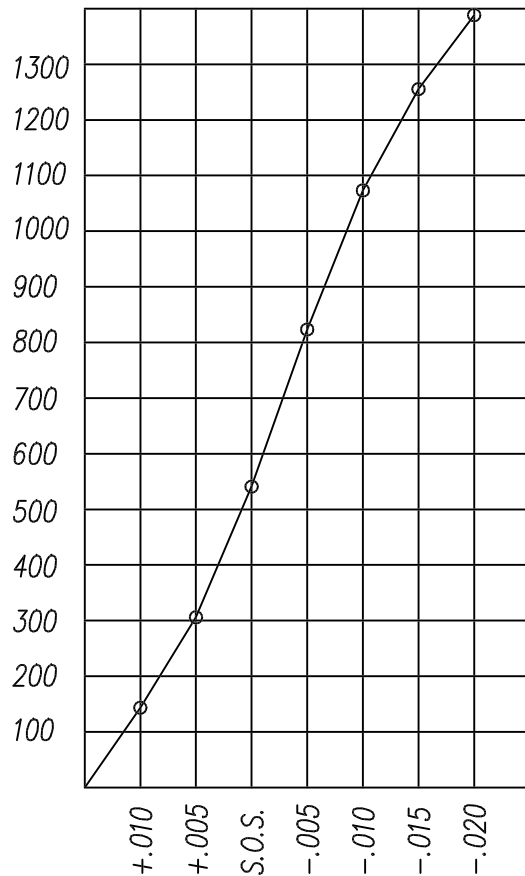
P.C.B. RECOMMENDED HOLE LAYOUT
SEEN FROM COMPONENT SIDE
TOLERANCE $\pm .003$ [0.08] UNLESS OTHERWISE SPECIFIED

NOTES:

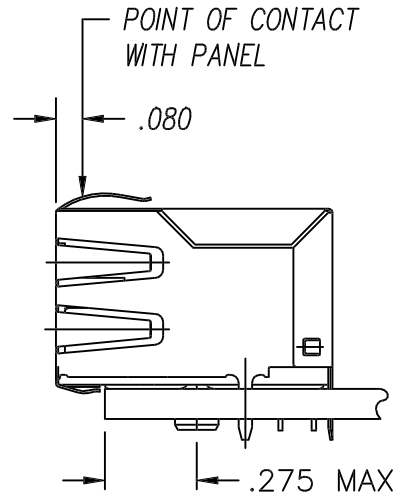
- TOLERANCES COMPLY WITH F.C.C. DIMENSION REQUIREMENTS
- DIMENSIONS SHOWN WITH "*" TO BE CENTRAL ABOUT CENTER LINE
- DIMENSIONS SHOWN ARE SUBJECT TO CHANGE WITHOUT NOTICE.
- PIN NOT ELECTRICALLY CONNECTED MAYBE OMITTED. SEE ELECTRICAL DRAWING FOR OMITTED PINS.
- STANDARD 50 MICRO-INCH SELECTIVE GOLD PLATING.

LED SPECIFICATIONS

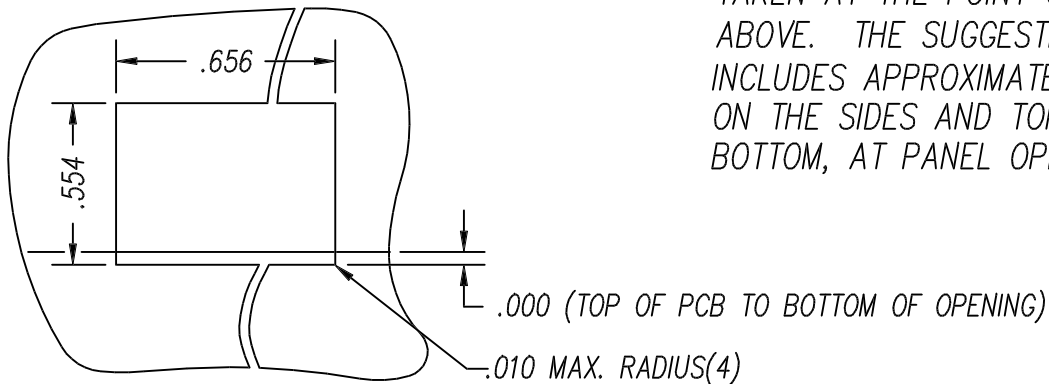
- | | YELLOW | GREEN |
|-------------------------------|------------|------------|
| - COLOR: | YELLOW | GREEN |
| - FORWARD VOLTAGE(20mA) : | 2.5v (MAX) | 2.5v (MAX) |
| - FORWARD VOLTAGE(20mA) : | 2.1v (TYP) | 2.2v (TYP) |
| - POWER DISSIPATION : | 105mW | 105mW |
| - WAVE LENGTH: | 590nm | 565nm |
| - LUMINOUS INTENSITY (10mA) : | 2-8 MCD | 8-32 MCD |



PANEL GROUNDING BEAM DEFLECTION
S.O.S. = SUGGESTED OPENING SIZE



THE SUGGESTED PANEL OPENING IS INTENDED TO GIVE THE USER THE ABILITY TO HAVE REASONABLE JACK / PANEL CLEARANCES YET MAINTAIN RELIABLE GROUNDING CAPABILITY. THESE VARIABLES CAN BE ADJUSTED IN EITHER DIRECTION BUT MAY CARRY SOME CONSEQUENCES IN THE FORM OF LOWER MATING FORCES OR TIGHTER ASSEMBLY TOLERANCES. FORCE VALUES ON THE GRAPH ARE GENERAL AVERAGES TAKEN AT THE POINT OF CONTACT SHOWN ABOVE. THE SUGGESTED PANEL OPENING INCLUDES APPROXIMATELY .020 CLEARANCE ON THE SIDES AND TOP AND .013 ON THE BOTTOM, AT PANEL OPENING.



SUGGESTED PANEL OPENING