

PART NUMBERING SYSTEM

SERIES	MOUNTING HOLE	LENS TYPE	PLATING TYPE	TERMINAL TYPE	-	LED COLOR (DIFFUSED)	VOLTAGE RANGE
"SSI-LXW"	"12"	"D"	"N"	"S"		"G"	"2V"

06: M6	F: FLAT	N: BRASS, NICKEL PLATED	S: SOLDER SLUG	I: RED	6V
08: M8	D: DOMED	S: STAINLESS STEEL	W: SCREW TERMINAL	G: GREEN (InGaN)	12V
10: M10	T: T-FLAT	K: BRASS, BLACK NICKEL PLATED		Y: YELLOW	24V
12: M12				O: ORANGE	36V
14: M14				B: BLUE (InGaN)	110V*
16: M16				W: WHITE (InGaN)	220V*
19: M19					
22: M22					
25: M25					

* NOT ALL MODELS AVAILABLE IN 110V / 220V VERSIONS. BLUE, GREEN AND WHITE ARE AVAILABLE IN 28V

*UNLESS OTHERWISE SPECIFIED TOLERANCES PER DECIMAL PRECISION ARE: X=±1 (±0.039), X.X=±0.5 (±0.020), X.XX=±0.25 (±0.010), X.XXX=±0.127 (±0.005). LEAD SIZE=±0.05 (±0.002), LEAD LENGTH=±0.75 (±0.030). MIN= ^{+0.00}DECIMAL PRECISION -0.00, MAX.= ^{+0.00}DECIMAL PRECISION -0.00

UNCONTROLLED DOCUMENT



425 N. GARY AVE.
CAROL STREAM, IL 60188-4900
PHONE: +1.800.278.5666
FAX: +1.630.315.2152
WEB: WWW.ITWECS.COM

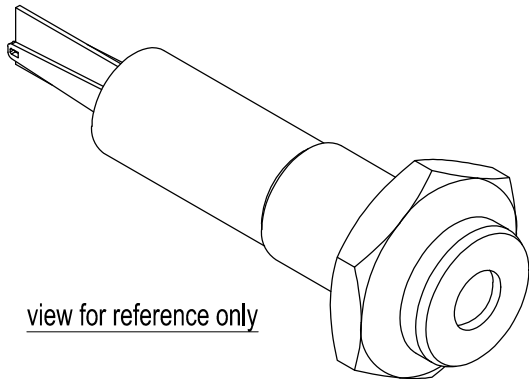
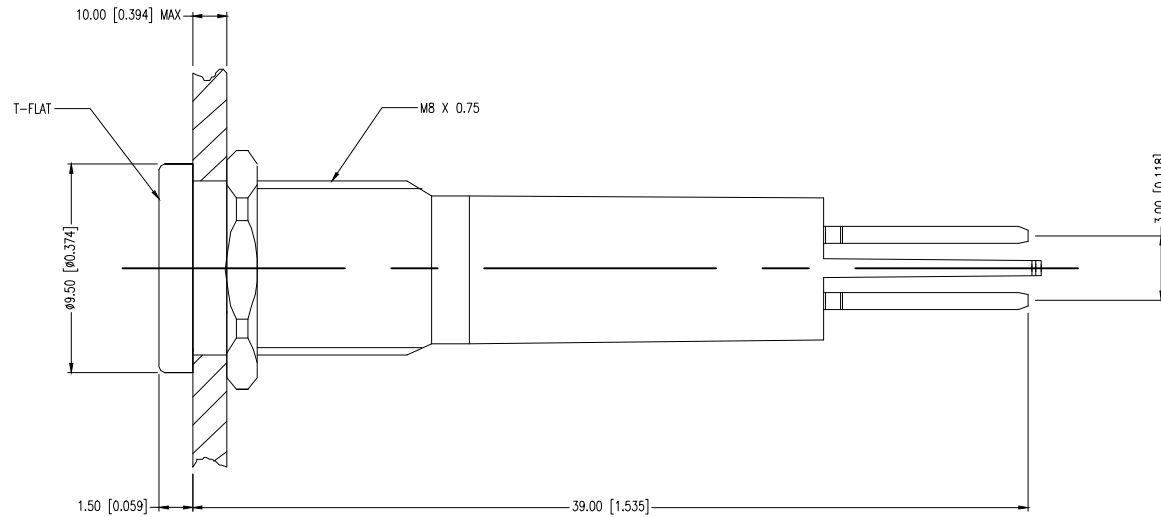
M8 PANEL MOUNT INDICATOR, IP67, -40°C TO +85°C

THE SPECIFICATIONS MAY CHANGE AT ANY TIME WITHOUT NOTICE DUE TO NEW MATERIALS OR PRODUCT IMPROVEMENT.

CONFIDENTIAL INFORMATION
THE INFORMATION CONTAINED IN THIS DOCUMENT IS THE PROPERTY OF LUMEX INC. EXCEPT AS SPECIFICALLY AUTHORIZED IN WRITING BY LUMEX INC., THE HOLDER OF THIS DOCUMENT SHALL KEEP ALL INFORMATION CONTAINED HEREIN CONFIDENTIAL AND SHALL PROTECT SAME IN WHOLE OR IN PART FROM DISCLOSURE AND DISSEMINATION TO ALL THIRD PARTIES.

DATE:	7.7.15	DRAWN BY:	MJK
PAGE:	1 OF 4	CHKD BY:	--
SCALE:	NTS	APRVD BY:	--
UNIT:	mm [INCH]		(R)

T-FLAT

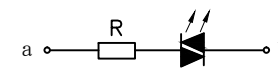


view for reference only

SPECIFICATIONS:

1. LED CURRENT: 20MA @ 2V~36V DC, 2MA @ 110V~220V AC
3. DIELECTRIC STRENGTH: 2,000V RMS 50~60HZ
4. OPERATING TEMPERATURE: -40°C ~ +85°C
5. IP CLASS: IP67 FRONT PANEL PROTECTION
6. TORQUE: 0.2NM MAX APPLIED TO NUT
7. BI POLAR LED

CIRCUIT DIAGRAM:



*UNLESS OTHERWISE SPECIFIED TOLERANCES PER DECIMAL PRECISION ARE: X=±1 (±0.039), X.X=±0.5 (±0.020), X.XX=±0.25 (±0.010), X.XXX=±0.127 (±0.005). LEAD SIZE=±0.05 (±0.002), LEAD LENGTH=±0.75 (±0.030). MIN= ^{+0.00}DECIMAL PRECISION _{-0.00} DECIMAL PRECISION MAX.= ^{+0.00}DECIMAL PRECISION _{-0.00} DECIMAL PRECISION

UNCONTROLLED DOCUMENT



425 N. GARY AVE.
CAROL STREAM, IL 60188-4900
PHONE: +1.800.278.5666
FAX: +1.630.315.2152
WEB: WWW.ITWCCS.COM

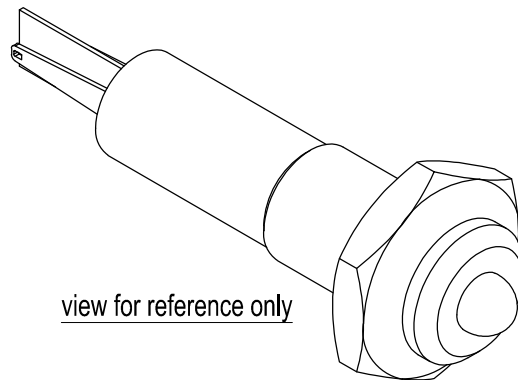
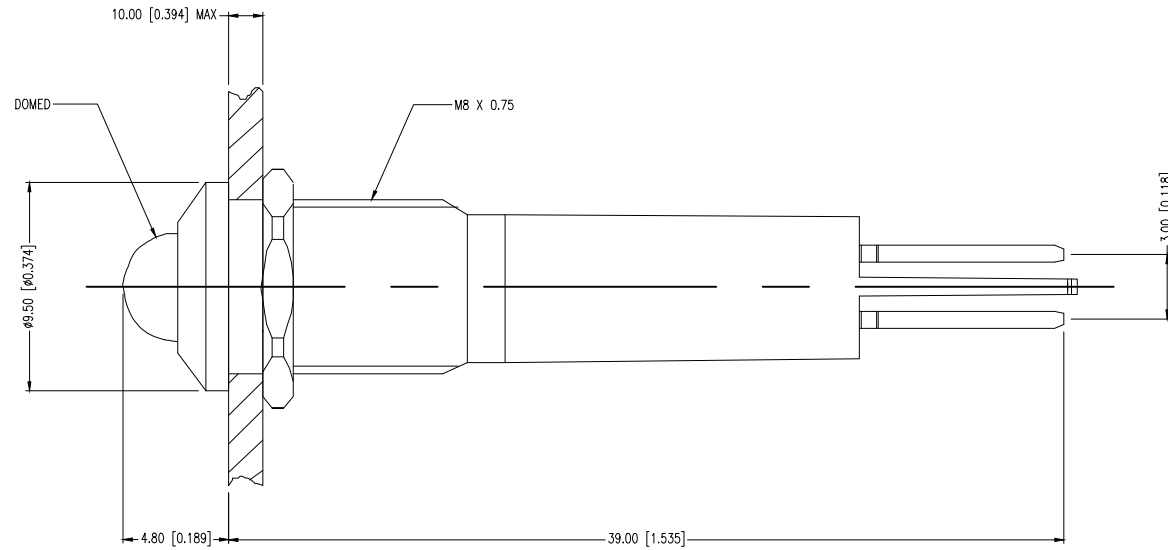
M8 PANEL MOUNT INDICATOR, IP67, -40°C TO +85°C

THE SPECIFICATIONS MAY CHANGE AT ANY TIME WITHOUT NOTICE DUE TO NEW MATERIALS OR PRODUCT IMPROVEMENT.

CONFIDENTIAL INFORMATION
THE INFORMATION CONTAINED IN THIS DOCUMENT IS THE PROPERTY OF LUMEX INC. EXCEPT AS SPECIFICALLY AUTHORIZED IN WRITING BY LUMEX INC., THE HOLDER OF THIS DOCUMENT SHALL KEEP ALL INFORMATION CONTAINED HEREIN CONFIDENTIAL AND SHALL PROTECT SAME IN WHOLE OR IN PART FROM DISCLOSURE AND DISSEMINATION TO ALL THIRD PARTIES.

DATE:	7.7.15	DRAWN BY:	MJK
PAGE:	2 OF 4	CHKD BY:	--
SCALE:	NTS	APRVD BY:	--
UNIT:	mm [INCH]		(R)

DOMED

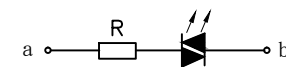


view for reference only

SPECIFICATIONS:

1. LED CURRENT: 20MA @ 2V~36V DC, 2MA @ 110V~220V AC
3. DIELECTRIC STRENGTH: 2,000V RMS 50~60HZ
4. OPERATING TEMPERATURE: -40°C ~ +85°C
5. IP CLASS: IP67 FRONT PANEL PROTECTION
6. TORQUE: 0.2NM MAX APPLIED TO NUT
7. BI POLAR LED

CIRCUIT DIAGRAM:



*UNLESS OTHERWISE SPECIFIED TOLERANCES PER DECIMAL PRECISION ARE: X=±1 (±0.039), X.X=±0.5 (±0.020), X.XX=±0.25 (±0.010), X.XXX=±0.127 (±0.005). LEAD SIZE=±0.05 (±0.002), LEAD LENGTH=±0.75 (±0.030). MIN= ^{+0.00}DECIMAL PRECISION -0.00 DECIMAL PRECISION MAX.=

UNCONTROLLED DOCUMENT



425 N. GARY AVE.
CAROL STREAM, IL 60188-4900
PHONE: +1.800.278.5666
FAX: +1.630.315.2152
WEB: WWW.ITWECS.COM

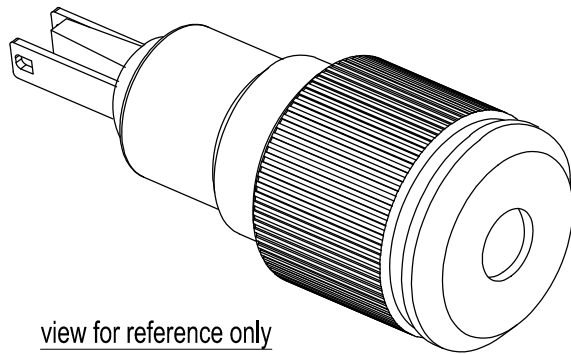
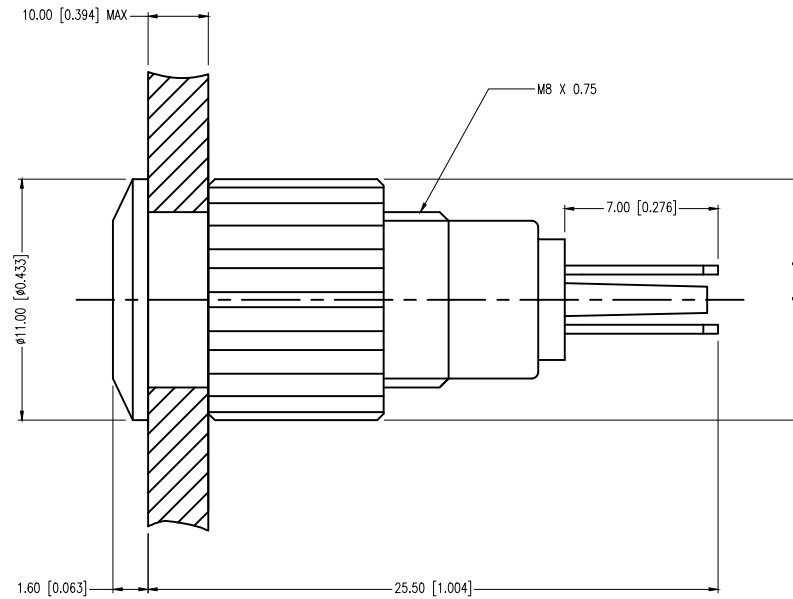
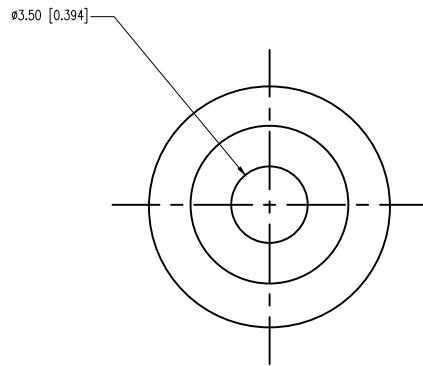
M12 PANEL MOUNT INDICATOR, IP67, -40°C TO +85°C

THE SPECIFICATIONS MAY CHANGE AT ANY TIME WITHOUT NOTICE DUE TO NEW MATERIALS OR PRODUCT IMPROVEMENT.

CONFIDENTIAL INFORMATION
THE INFORMATION CONTAINED IN THIS DOCUMENT IS THE PROPERTY OF LUMEX INC. EXCEPT AS SPECIFICALLY AUTHORIZED IN WRITING BY LUMEX INC., THE HOLDER OF THIS DOCUMENT SHALL KEEP ALL INFORMATION CONTAINED HEREIN CONFIDENTIAL AND SHALL PROTECT SAME IN WHOLE OR IN PART FROM DISCLOSURE AND DISSEMINATION TO ALL THIRD PARTIES.

DATE:	7.7.15	DRAWN BY:	MJK
PAGE:	3 OF 4	CHKD BY:	--
SCALE:	NTS	APRVD BY:	--
UNIT:	mm [INCH]		

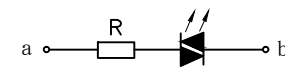
FLAT TYPE



SPECIFICATIONS:

1. LED CURRENT: 20MA @ 2V~36V DC, 2MA @ 110V~220V AC
3. DIELECTRIC STRENGTH: 2,000V RMS 50~60HZ
4. OPERATING TEMPERATURE: -40°C ~ +85°C
5. IP CLASS: IP67 FRONT PANEL PROTECTION
6. TORQUE: 0.2NM MAX APPLIED TO NUT
7. BI POLAR LED

CIRCUIT DIAGRAM:



*UNLESS OTHERWISE SPECIFIED TOLERANCES PER DECIMAL PRECISION ARE: X=±1 (±0.039), X.X=±0.5 (±0.020), X.XX=±0.25 (±0.010), X.XXX=±0.127 (±0.005). LEAD SIZE=±0.05 (±0.002), LEAD LENGTH=±0.75 (±0.030). MIN= ^{+0.00} _{-0.00} DECIMAL PRECISION MAX.= ^{+0.00} _{-0.00} DECIMAL PRECISION



425 N. GARY AVE.
CAROL STREAM, IL 60188-4900
PHONE: +1.800.278.5666
FAX: +1.630.315.2152
WEB: WWW.ITWECS.COM

MB PANEL MOUNT INDICATOR, IP67, -40°C TO +85°C

THE SPECIFICATIONS MAY CHANGE AT ANY TIME WITHOUT NOTICE DUE TO NEW MATERIALS OR PRODUCT IMPROVEMENT.

CONFIDENTIAL INFORMATION
THE INFORMATION CONTAINED IN THIS DOCUMENT IS THE PROPERTY OF LUMEX INC. EXCEPT AS SPECIFICALLY AUTHORIZED IN WRITING BY LUMEX INC., THE HOLDER OF THIS DOCUMENT SHALL KEEP ALL INFORMATION CONTAINED HEREIN CONFIDENTIAL AND SHALL PROTECT SAME IN WHOLE OR IN PART FROM DISCLOSURE AND DISSEMINATION TO ALL THIRD PARTIES.

DATE:	7.7.15	DRAWN BY:	MJK
PAGE:	4 OF 4	CHKD BY:	--
SCALE:	NTS	APRVD BY:	--
UNIT:	mm [INCH]		(R)