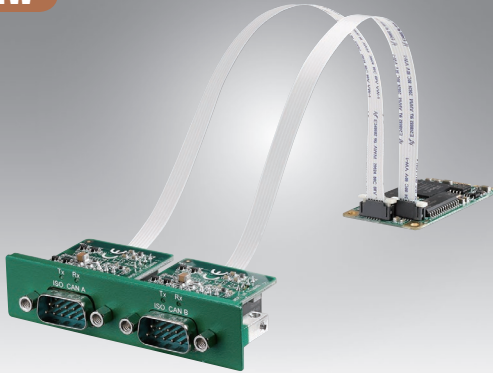


MOS-1130Y-0201E

Isolated CANBus, 2-Ch, DB9, PCIe I/F

NEW



Features

- Meets Advantech Standard iDoor Technology
- PCI Express® Mini Card Specification Revision 1.2 compliant
- Operates two separated CAN networks simultaneously
- High speed transmission up to 1 Mbps
- I/O address automatically assigned by PCIe plug & play
- Supports 32/64-bit Windows 2000/XP/Vista/7, Linux 2.4/2.6
- Optical isolation protection of 2,500 V_{DC} ensures system reliability
- Supports ARK-2121L and ARK-6322

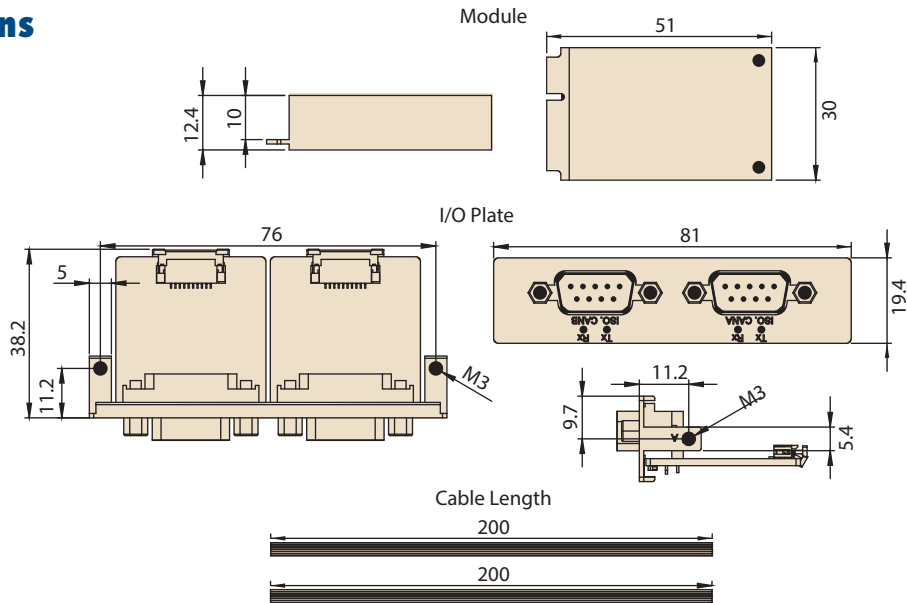


Specifications

General	Bus Type	PCI Express Mini Card Revision 1.2
	Certification	CE, FCC class A
	Connectors	2 x Male DB9
	Dimensions	Module: 51 x 30 x 12.4 mm (2" x 1.18" x 0.49") I/O Plate: 81 x 19.4 x 41 mm (3.19" x 0.76" x 1.61")
	Power Consumption	Typical : +5V @ 400 mA
Communications	CAN Controller	NXP SJA-1000
	CAN Transceiver	NXP 82C251
	Protocol	CAN 2.0 A/B
	Signal Support	CAN_H, CAN_L
	Speed	1Mbps
	CAN Frequency	16MHz
	Termination Resistor	120 Ohm (selected by jumper)
Protection	Isolation Protection	2,500 V
	ESD Protection	15 KV
	EFT Protection	2,500 V
	Surge Protection	1,000 V _{DC}
Software	CAN Bus Driver	Windows 2000/XP/Vista/7 (x86 and x64), Windows CE 5.0/6.0, Linux, QNX
	CANopen Software	Windows 2000/XP/Vista/7 (x86 and x64), Windows CE 5.0/6.0
Environment	Humidity (Operating)	5-95% RH, non-condensing
	Operating Temperature	-20 ~ 60° C (-4 ~ 140° F)
	Storage Temperature	-40 ~ 85° C (-40 ~ 185° F)

Dimensions

Unit: mm



Ordering Information

Part Number	Description
MOS-1130Y-0201E	Isolated CANBus, 2-Ch, DB9, PCIe I/F