

**PLEASE CHECK WWW.MOLEX.COM FOR LATEST PART INFORMATION**

**Part Number:** [0194290014](#)  
**Status:** **Active**  
**Overview:** [mx150l sealed connector system](#)  
**Description:** MX150L™ 10 Circuit Panel Mount Plug for 14 to 22 AWG Wire, Rear Mount Flange Assembly, without Gasket

**Documents:**

[3D Model](#) [Product Specification PS-19417-001 \(PDF\)](#)  
[Drawing \(PDF\)](#) [RoHS Certificate of Compliance \(PDF\)](#)

**Agency Certification**

UL E152602

**General**

Product Family Crimp Housings  
 Series [19429](#)  
 Comments For Inside Panel Mount Application  
 Overview [mx150l sealed connector system](#)  
 Product Literature Order No 987650-2181  
 Product Name MX150L™

**Physical**

Circuits (maximum) 10  
 Flammability 94V-0  
 Gender Male  
 Glow-Wire Compliant No  
 Lock to Mating Part Yes  
 Number of Rows 2  
 Packaging Type Bag  
 Panel Mount Yes  
 Pitch - Mating Interface (in) 0.230 In  
 Pitch - Mating Interface (mm) 5.84 mm  
 Polarized to Mating Part Yes  
 Stackable No  
 Temperature Range - Operating -40°C to +125°C

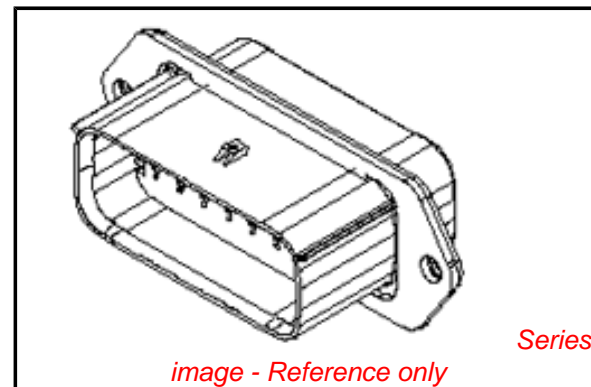
**Electrical**

Current - Maximum per Contact 18A

**Material Info**

**Reference - Drawing Numbers**

Packaging Specification PK-19429-001  
 Product Specification PS-19417-001  
 Sales Drawing SD-19429-004



**EU RoHS**

**ELV and RoHS  
Compliant**  
**REACH SVHC**  
 Not Reviewed  
**Halogen-Free  
Status**  
 Not Reviewed

**China RoHS**



**Need more information on product  
environmental compliance?**

Email [productcompliance@molex.com](mailto:productcompliance@molex.com)  
 For a multiple part number RoHS Certificate of Compliance, [click here](#)

Please visit the [Contact Us](#) section for any non-product compliance questions.

**Search Parts in this Series**

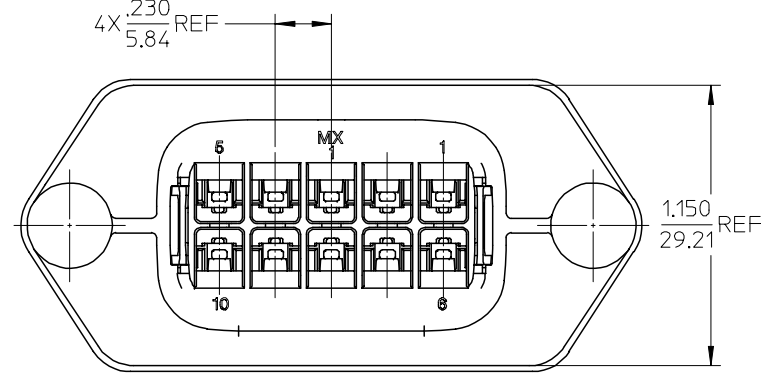
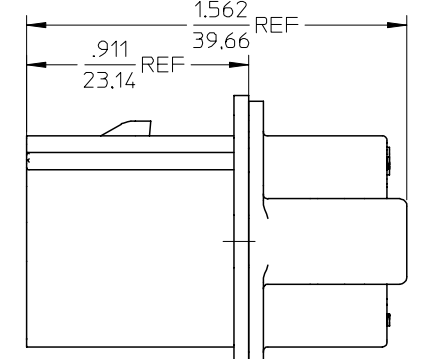
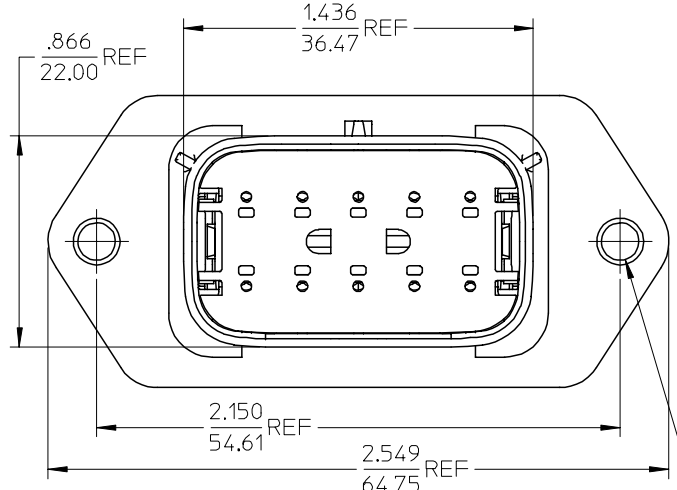
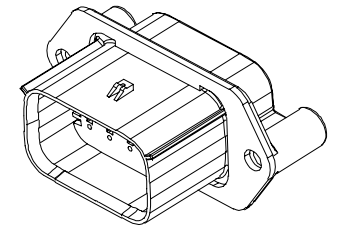
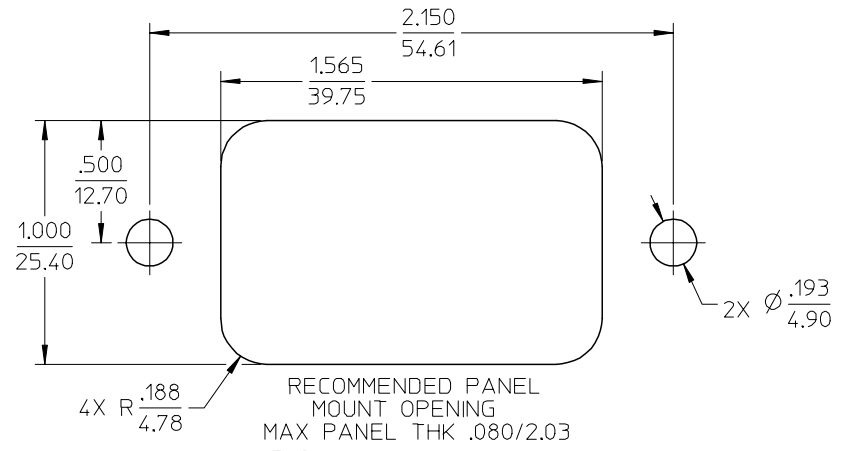
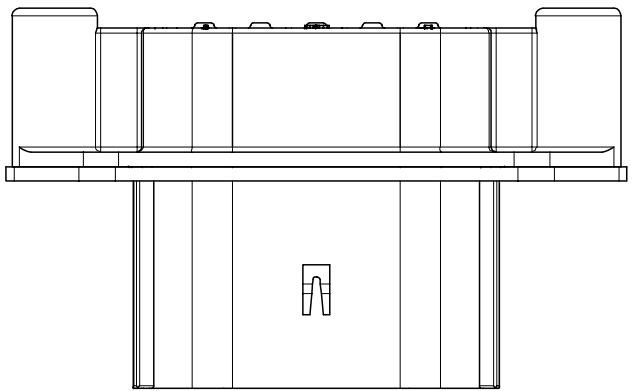
[19429Series](#)

**Mates With**

[19418 Receptacle Assemblies](#)

**Use With**

[19417 Male Crimp Terminals](#)



(A)

- NOTES:
1. ASSEMBLY BULK PACKAGED PER PK-19429-001.
  2. USE CONNECTOR WITH MALE CRIMP TERMINAL: SERIES 19417.
  4. RECOMMENDED MOUNTING HARDWARE: (2)#10 X .62/18.9 LONG PLASTIC THREAD CUTTING SCREWS. SUGGESTED SOURCE: ITW SHAKEPROOF INDUSTRIAL BOSSCREW OR EQUIVALENT. RECOMMENDED TORQUE: 15-17 IN-LBS.

EC NO: ETC2005-0118	DRWN:BRUPERT 2005/01/20	CHKD:JPALWICK 2005/01/20	APPR:RDEROSS 2005/01/20
DESCRIPTION			
REV	DESCRIPTION		

QUALITY SYMBOLS	GENERAL TOLERANCES (UNLESS SPECIFIED)	
	mm	INCH
▽ = 0	4 PLACES ± ---	± ---
	3 PLACES ± ---	± .015
	2 PLACES ± 0.38	± ---
▽ C = 0	1 PLACE ± ---	± ---
	ANGULAR ± 1 °	
	DRAFT WHERE APPLICABLE	
	MUST REMAIN WITHIN DIMENSIONS	

SCALE 2:1	DESIGN UNITS INCH
DIMENSION STYLE IN/MM	
DRAWN BY DMYRICK	DATE 03/11/10
CHECKED BY JPALWICK	DATE 03/11/10
APPROVED BY RDEROSS	DATE 03/11/10

194290038	YES
194290014	NO
MATERIAL NUMBER	GASKET
THIRD ANGLE PROJECTION	REVISE ON CAD ONLY
TITLE 10 WAY PLUG PANEL MOUNT ASSEMBLY 22-14 AWG	
MOLEX MOLEX INCORPORATED	
MATERIAL NO. SEE CHART	DOCUMENT NO. SD-19429-004
SHEET NO. 1 OF 1	
THIS DRAWING CONTAINS INFORMATION THAT IS PROPRIETARY TO MOLEX INCORPORATED AND SHOULD NOT BE USED WITHOUT WRITTEN PERMISSION	