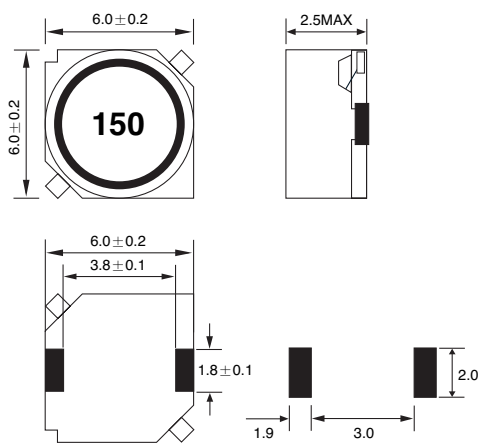


LPF6025 SERIES

SMD Shielded type

SHAPES & DIMENSIONS RECOMMENDED PCB PATTERN

(Dimensions in mm)



ELECTRICAL CHARACTERISTICS

Ordering Code	Inductance (μH)	Inductance TOL.(%)	Test Freq. (KHz)	DC Resistance (Ω)±20%	Rated Current(A)	
					IDC1 (Max.)	IDC2 (Ref.)
LPF6025T-1R5M	1.5	± 20	100	0.0150	2.70	3.70
LPF6025T-2R2M	2.2			0.0155	2.20	3.40
LPF6025T-3R3M	3.3			0.0276	1.60	2.80
LPF6025T-4R7M	4.7			0.0306	1.50	2.60
LPF6025T-6R8M	6.8			0.0442	1.30	2.40
LPF6025T-100M	10			0.0573	1.00	2.10
LPF6025T-150M	15			0.0850	0.88	1.60
LPF6025T-220M	22			0.1220	0.73	1.40
LPF6025T-330M	33			0.1800	0.59	1.20
LPF6025T-470M	47			0.2400	0.48	1.00
LPF6025T-680M	68	0.3700	0.42	0.81		
LPF6025T-101M	100	0.5000	0.33	0.66		

TEST EQUIPMENTS

- Inductance: Agilent 4284A LCR Meter (100KHz 0.5V)
- Rdc: HIOKI 3540 mΩ HiTESTER
- Bias Current: Agilent 4284A + Agilent 42841A
- IDC1(The saturation current): $\Delta L \leq 30\%$ at rated current
- IDC2(The temperature rise): $\Delta T = 25^\circ\text{C}$ at rated current

OPERATING TEMPERATURE RANGE

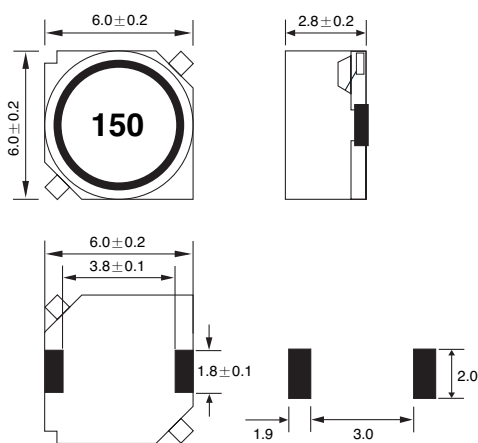
-20 ~ +85°C (Including self-generated heat)

LPF6028 SERIES

SMD Shielded type

SHAPES & DIMENSIONS RECOMMENDED PCB PATTERN

(Dimensions in mm)



ELECTRICAL CHARACTERISTICS

Ordering Code	Inductance (μH)	Inductance TOL.(%)	Test Freq. (KHz)	DC Resistance (Ω)±20%	Rated Current(A)	
					IDC1 (Max.)	IDC2 (Ref.)
LPF6028T-1R5M	1.5	± 20	100	0.0145	3.00	3.70
LPF6028T-4R7M	4.7			0.0284	1.60	3.00
LPF6028T-6R8M	6.8			0.0354	1.50	2.90
LPF6028T-100M	10			0.0532	1.30	2.80
LPF6028T-150M	15			0.0745	1.00	2.30
LPF6028T-220M	22			0.1040	0.77	1.60
LPF6028T-330M	33			0.1480	0.69	1.30
LPF6028T-470M	47			0.2100	0.59	1.10
LPF6028T-680M	68			0.2900	0.50	0.80
LPF6028T-101M	100			0.4300	0.42	0.64
LPF6028T-151M	150	0.6500	0.34	0.60		
LPF6028T-181M	180	0.8700	0.31	0.42		
LPF6028T-221M	220	0.9800	0.26	0.40		

TEST EQUIPMENTS

- Inductance: Agilent 4284A LCR Meter (100KHz 0.5V)
- Rdc: HIOKI 3540 mΩ HiTESTER
- Bias Current: Agilent 4284A + Agilent 42841A
- IDC1(The saturation current): $\Delta L \leq -30\%$ reduction from nominal L value
- IDC2(The temperature rise): $\Delta T = 25^\circ\text{C}$ at rated current

OPERATING TEMPERATURE RANGE

-20 ~ +85°C (Including self-generated heat)