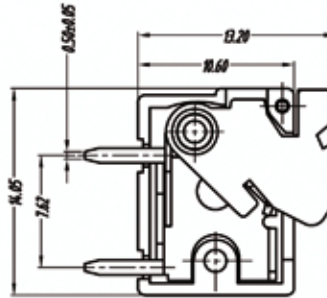


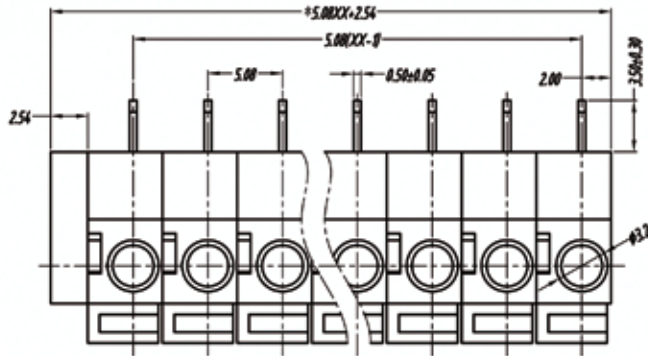


euro-block

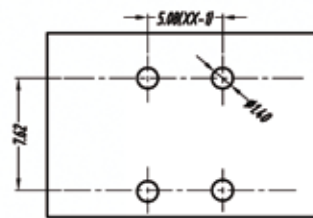
product specification



W/O COVER VIEW



P.C.B.LAYOUT



Electrical

Standard: UL-IEC
 Rated voltage: 300V-250V
 Rated current: 10A-15A
 Wire range: 22-12AWG-1.5mm²
 Withstanding voltage: AC2000V/1Min

Mechanical

Temp.Range: -40°C~+105°C
 Strip length: 10mm

Dimensions

Pitch: 5.08mm (0.200"), 7.62mm (0.300")
 Poles: 1p-xxp

Material

Housing: PA66, UL94V-0
 Pin header: Phosphore bronze, Since plate
 Wire guard: stainless steel

TOLERANCES EXCEPT AS NOTED

	linear dimension					fillet	chamfer	∠ short angle sid			≡	—	□	//	⊥		
	variable range	to 6	over 6 to 30	over 30 to 120	over 120 to 480	all	to 6	to 10	to 10	to 50	to 120	all	to 5	to 30	to 120		
tolerance	±0.1	±0.2	±0.3	±0.5	±0.9	±0.2	±0.5	±1	1'	30'	20'	10'	0.5	0.025	0.06	0.12	0.4

UNITS	mm	SIZE	A4	SCALE	FIRST ANGLE PROJECTION	
euro-block						
					NAME	MRM7-H