

DESCRIPTION : ABOVE PCB, DECK AND PUSH ROD LOCATION ARE AS VIEW BY USER.

PRODUCT NO.	PUSH ROD LOCATION		STAND-OFF HEIGHT	CLOSEST TO PCB	FARTHEST FROM PCB	MATING RECEPTACLE	P.C.B SIDE	RECOMMENDED P.C.B LAYOUT (SEE PAGE 6&7)	MOUNT STYLE TO PCB AND PUSH ROD SIDE
	DECK CLOSEST TO PCB	DECK FARTHEST TO PCB		EJ HDR ASS'Y	EJ HDR ASS'Y				
(A) 61124-*****				(B)	(C)	(D)			
200CA	RIGHT	RIGHT	0.0	61126-002CA	61125-005CA	RECEPTACLE PART NO. 91931-31169	ABOVE	LAYOUT 1	
220CA	RIGHT	RIGHT	2.2	61125-020CA	61125-025CA			LAYOUT 2	
240CA	RIGHT	RIGHT	4.3	61125-040CA	61125-045CA			LAYOUT 2	
250CA	RIGHT	RIGHT	5.0	61125-050CA	61125-055CA			LAYOUT 2	
220CAC	RIGHT	RIGHT	2.2	61125-020CAC	61125-025CAC			LAYOUT 2	
240CAC	RIGHT	RIGHT	4.3	61125-040CAC	61125-045CAC			LAYOUT 2	
250CAC	RIGHT	RIGHT	5.0	61125-050CAC	61125-055CAC			LAYOUT 2	
300CA	LEFT	LEFT	0.0	61126-102CA	61125-105CA			LAYOUT 1	
320CA	LEFT	LEFT	2.2	61125-120CA	61125-125CA			LAYOUT 2	
340CA	LEFT	LEFT	4.3	61125-140CA	61125-145CA			LAYOUT 2	
350CA	LEFT	LEFT	5.0	61125-150CA	61125-155CA	LAYOUT 2			
700CA	RIGHT	RIGHT	0.0	61126-502CA	61125-505CA	RECEPTACLE PART NO. 91931-31169	BELOW	LAYOUT 3	
720CA	RIGHT	RIGHT	2.2	61125-520CA	61125-525CA			LAYOUT 4	
740CA	RIGHT	RIGHT	4.3	61125-540CA	61125-545CA			LAYOUT 4	
750CA	RIGHT	RIGHT	5.0	61125-550CA	61125-555CA			LAYOUT 4	
800CA	LEFT	LEFT	0.0	61126-602CA	61125-605CA			LAYOUT 3	
820CA	LEFT	LEFT	2.2	61125-620CA	61125-625CA			LAYOUT 4	
840CA	LEFT	LEFT	4.3	61125-640CA	61125-645CA			LAYOUT 4	
850CA	LEFT	LEFT	5.0	61125-650CA	61125-655CA			LAYOUT 4	

OR

ORDERING INFORMATION

ORDERING INFORMATION		
NAME	PART NO.	Q'TY
(A) EJECT HEADER ASS'Y	61124-*****	1
(D) MATING RECEPTACLE	91931-31169	2

ORDERING INFORMATION		
NAME	PART NO.	Q'TY
(B) DECK CLOSEST TO PCB	61125-*****	1
(C) DECK FARTHEST FROM PCB	61125-*****	1
(D) MATING RECEPTACLE	91931-31169	2

OR

ORDERING INFORMATION

ORDERING INFORMATION		
NAME	PART NO.	Q'TY
(B) DECK CLOSEST TO PCB	61126-*****	1
(C) DECK FARTHEST FROM PCB	61125-*****	1
(D) MATING RECEPTACLE	91931-31169	1

mat'l. code		surface ISO 1302		tolerance ISO 406 ISO 1101		projection 		product family	
ltr	ecn no	dr	date	tolerances unless otherwise specified		title		EJECTOR HEADER ASS'Y 3.3V SMT, TYPE 1/2/3	
C	T03-0216	W	06/09/03	angles	linear	± 0.30		MM	
D	N05-0059	W	03/03/05	±2'		scale 1:1		dwg no 61124 sheet 1of 8 size A4	
E	N05-0140	W	05/31/05	dr WENDY CHEN 07/06/95		chr JOSEPH HSIA 07/06/95		type CUSTOMER Drawing	
F	N05-0217	WB	07/25/05	engr L.W. LU 07/06/95		appd JENN TSAO			
G	N08-0169	MZ	08/13/07	chr JOSEPH HSIA 07/06/95		appd JENN TSAO			
sheet index	revision	G	G	G	G	G	G	G	G
	sheet	1	2	3	4	5	6	7	8

DESCRIPTION : ABOVE PCB, DECK AND PUSH ROD LOCATION ARE AS VIEW BY USER.

PRODUCT NO.	PUSH ROD LOCATION		STAND-OFF HEIGHT	CLOSEST TO PCB	FARTHEST FROM PCB	MATING RECEPTACLE ①	P.C.B SIDE	RECOMMENDED P.C.B LAYOUT (SEE PAGE 6&7)	MOUNT STYLE TO PCB AND PUSH ROD SIDE	
	DECK CLOSEST TO PCB	DECK FARTHEST TO PCB		②	③					
① 61124-****										
200CALF	RIGHT	RIGHT	0.0	61126-002CALF	61125-005CALF	RECEPTACLE PART NO. 91931-31169LF	ABOVE	LAYOUT 1		
220CALF	RIGHT	RIGHT	2.2	61125-020CALF	61125-025CALF			LAYOUT 2		
240CALF	RIGHT	RIGHT	4.3	61125-040CALF	61125-045CALF			LAYOUT 2		
250CALF	RIGHT	RIGHT	5.0	61125-050CALF	61125-055CALF			LAYOUT 2		
220CACLF	RIGHT	RIGHT	2.2	61125-020CACLF	61125-025CACLF			LAYOUT 2		
240CACLF	RIGHT	RIGHT	4.3	61125-040CACLF	61125-045CACLF			LAYOUT 2		
250CACLF	RIGHT	RIGHT	5.0	61125-050CACLF	61125-055CACLF			LAYOUT 2		
251CACLF	LEFT	RIGHT	5.0	61125-050CACLF	61125-155CACLF			LAYOUT 2		
300CALF	LEFT	LEFT	0.0	61126-102CALF	61125-105CA			LAYOUT 1		
320CALF	LEFT	LEFT	2.2	61125-120CALF	61125-125CA			LAYOUT 2		
340CALF	LEFT	LEFT	4.3	61125-140CALF	61125-145CA	LAYOUT 2				
350CALF	LEFT	LEFT	5.0	61125-150CALF	61125-155CA	LAYOUT 2				
700CALF	RIGHT	RIGHT	0.0	61126-502CALF	61125-505CA	RECEPTACLE PART NO. 91931-31169LF	BELOW	LAYOUT 3		
720CALF	RIGHT	RIGHT	2.2	61125-520CALF	61125-525CA			LAYOUT 4		
740CALF	RIGHT	RIGHT	4.3	61125-540CALF	61125-545CA			LAYOUT 4		
750CALF	RIGHT	RIGHT	5.0	61125-550CALF	61125-555CA			LAYOUT 4		
800CALF	LEFT	LEFT	0.0	61126-602CALF	61125-605CA			LAYOUT 3		
820CALF	LEFT	LEFT	2.2	61125-620CALF	61125-625CA			LAYOUT 4		
840CALF	LEFT	LEFT	4.3	61125-640CALF	61125-645CA			LAYOUT 4		
850CALF	LEFT	LEFT	5.0	61125-650CALF	61125-655CA			LAYOUT 4		

OR

ORDERING INFORMATION

ORDERING INFORMATION		
NAME	PART NO.	Q'TY
① EJECT HEADER ASS'Y	61124-****LF	1
② MATING RECEPTACLE	91931-31169LF	2

OR

OR

ORDERING INFORMATION

NAME	PART NO.	Q'TY
② DECK CLOSEST TO PCB	61125-****LF	1
③ DECK FARTHEST FROM PCB	61125-****LF	1
④ MATING RECEPTACLE	91931-31169LF	2

NAME	PART NO.	Q'TY
② DECK CLOSEST TO PCB	61126-****LF	1
③ DECK FARTHEST FROM PCB	61125-****LF	1
④ MATING RECEPTACLE	91931-31169LF	1

NOTE:

- THE HOUSING WILL WITHSTAND EXPOSURE TO 260°C PEAK TEMPERATURE FOR 10 SECONDS IN A WAVE SOLDER APPLICATION WITH A 1.00MM MINIMUM THICK CIRCUIT BOARD.
- THE PRODUCTS FOR SUFFIX " LF " MEET EUROPEAN UNION DIRECTIVES AND OTHER COUNTRY REGULATIONS AS DESCRIBED IN GS-22-008 OTHER PRODUCTS ARE COMPLIANT EXCEPT FOR Pb.
- LEAD FREE P/N PACKAGING MEETS GS-14-920 SPECIFICATION
- FINISH (PIN)
CONTACT AREA : 0.1 µm MIN. GOLD OVER
0.5 µm MIN. Pd-Ni (FOR-***CA,-***CALF)
0.8 µm MIN. Pd-Ni (FOR-***CAC,-***CACLF)
SOLDER TAIL(FOR -*****) : 2.5 µm MIN. Sn-Pb
SOLDER TAIL(FOR -*****LF) : 2.5 µm MIN. PURE Sn

mat'l. code		surface	tolerance	projection	product family
ISO 1302		ISO 406	ISO 1101		
ltr		tolerances unless otherwise specified			title
ecn no		angles linear ± 0.30			EJECTOR HEADER ASS'Y
dr		scale 1.2:1			3.3V SMT, TYPE 1/2/3
date		dr WENDY CHEN 07/06/95			dwg no
		enrg L.W. LU 07/06/95			sheet 2 of 8 size
		chr JOSEPH HSIA 07/06/95			61124
		appd JENN TSAO			A4
					type CUSTOMER Drawing
sheet index	revision sheet				

FCI CONFIDENTIAL

FCI

fciconnect.com

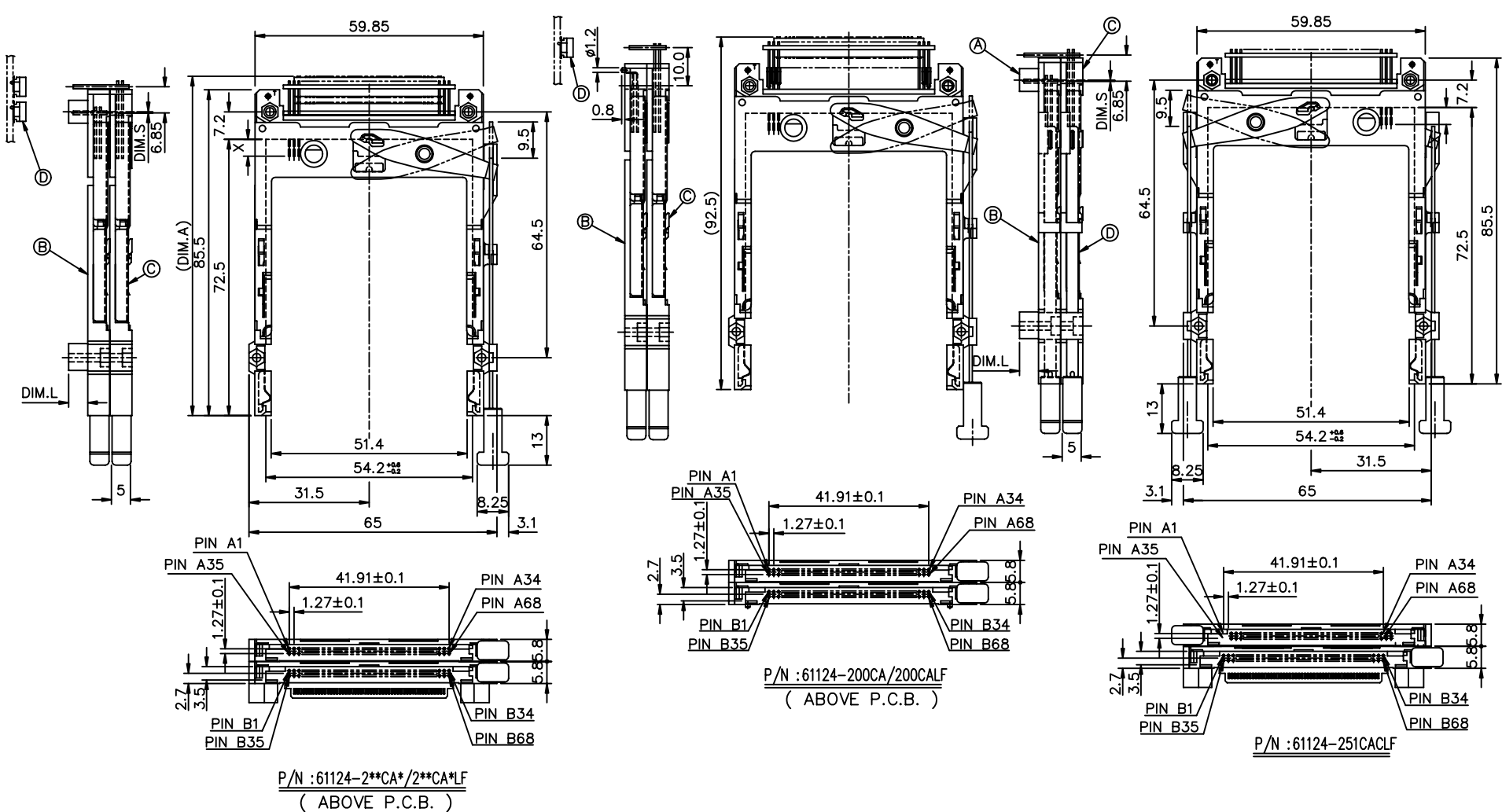
This document is the property of and embodies CONFIDENTIAL and PROPRIETARY information of FCI. No part of the information shown on this document may be used in any way or disclosed to others without the written consent of FCI. Copyright FCI

FCI CONFIDENTIAL



This document is the property of and embodies CONFIDENTIAL and PROPRIETARY information of FCI. No part of the information shown on this document may be used in any way or disclosed to others without the written consent of FCI.
Copyright FCI

FCIconnect.com



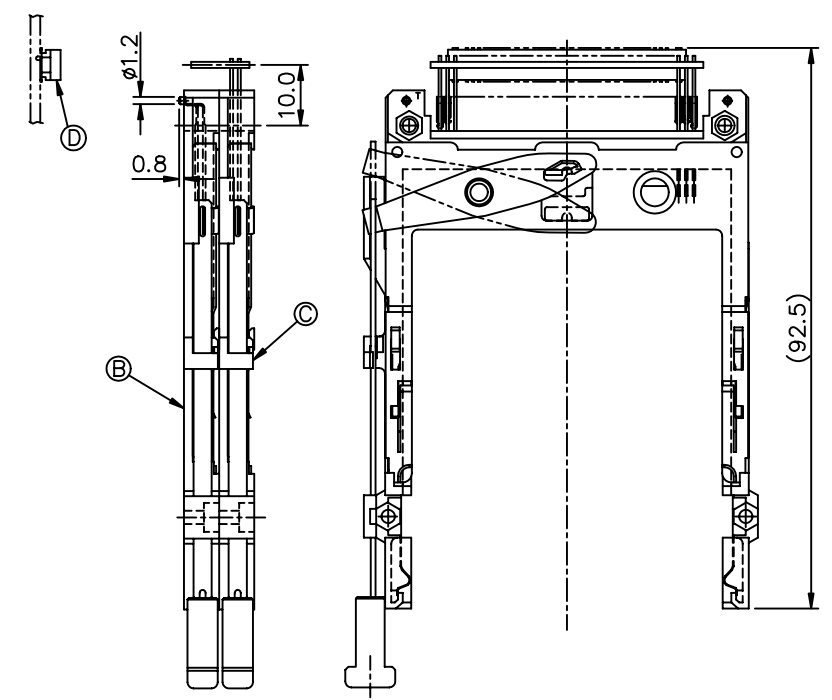
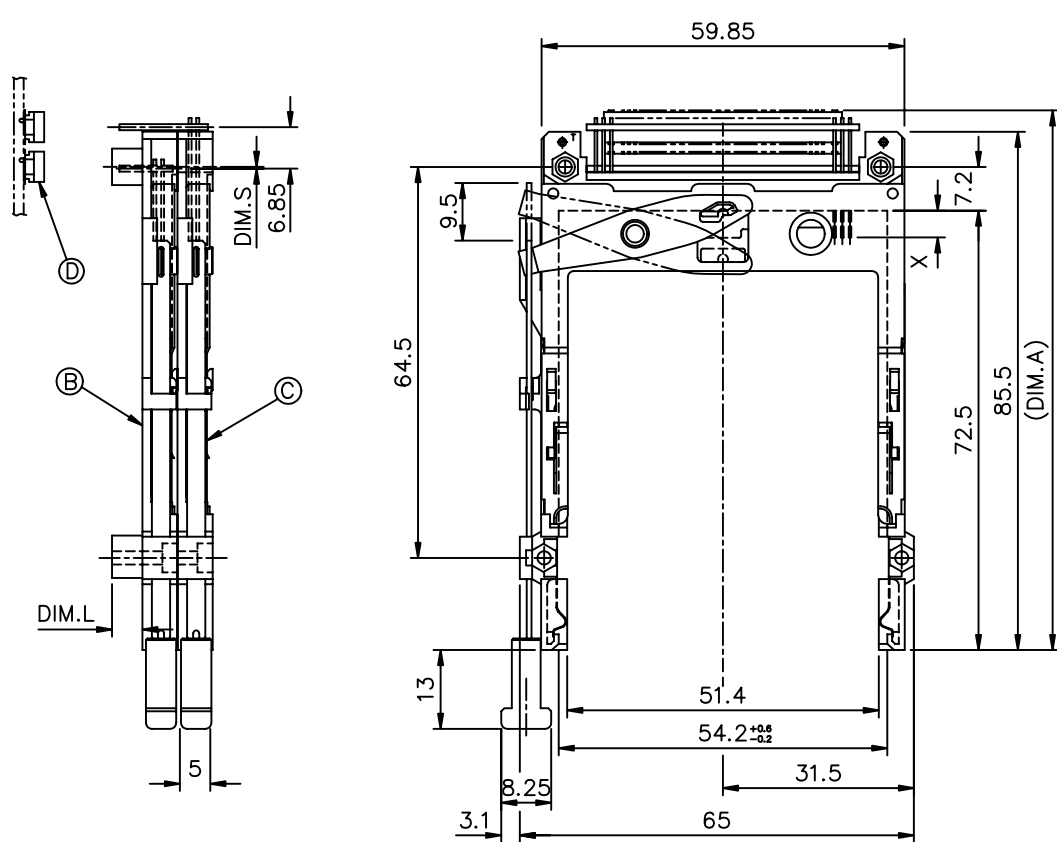
(A) PART NUMBER	DIM.L	DIM.S	DIM.A
61124-220CA	2.2	-0.3	89.05
61124-240CA	4.3	-0.3	89.05
61124-250CA	5.0	-0.3	89.05
61124-220CALF	2.2	-0.3	89.05
61124-240CALF	4.3	-0.3	89.05
61124-250CALF	5.0	-0.3	89.05
61124-220CAC	2.2	-0.3	89.05
61124-240CAC	4.3	-0.3	89.05
61124-250CAC	5.0	-0.3	89.05
61124-220CACLF	2.2	-0.3	89.05
61124-240CACLF	4.3	-0.3	89.05
61124-250CACLF	5.0	-0.3	89.05
61124-251CACLF	5.0	-0.3	89.05

mat'l. code		surface		tolerance		projection		product family	
		ISO 1302		ISO 406 ISO 101					
ltr		ecn no		dr		date		title	
								EJECTOR HEADER ASS'Y 3.3V SMT, TYPE 1/2/3	
G				angles		linear			
				±2'		± 0.30		scale 1.2:1	
		dr		WENDY CHEN		07/06/95		dwg no	
		enrg		L.W. LU		07/06/95		sheet 3of 8 size	
		chr		JOSEPH HSIA		07/06/95		61124	
		appd		JENN TSAO		07/06/95		A4	
sheet		revision						type CUSTOMER Drawing	
index		sheet							

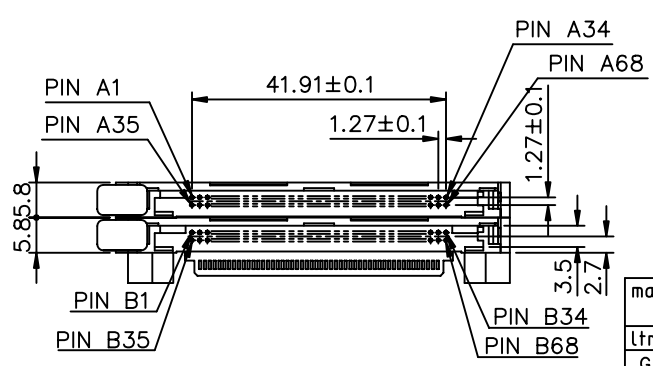
FCI CONFIDENTIAL

FCI
FCIconnect.com

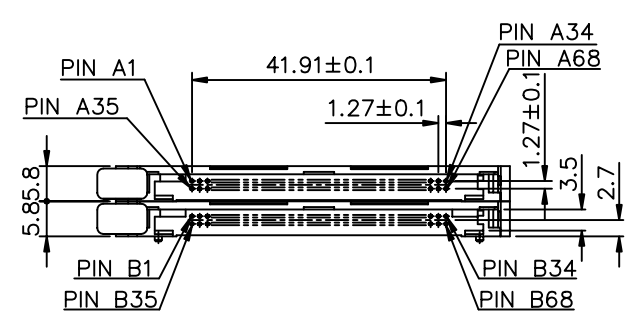
This document is the property of and embodies CONFIDENTIAL and PROPRIETARY information of FCI. No part of the information shown on this document may be used in any way or disclosed to others without the written consent of FCI.
Copyright FCI



(A) PART NUMBER	DIM.L	DIM.S	DIM.A
61124-320CA	2.2	-0.3	89.05
61124-340CA	4.3	-0.3	89.05
61124-350CA	5.0	-0.3	89.05
61124-320CALF	2.2	-0.3	89.05
61124-340CALF	4.3	-0.3	89.05
61124-350CALF	5.0	-0.3	89.05



P/N : 61124-3**CA/3**CALF
(ABOVE P.C.B.)



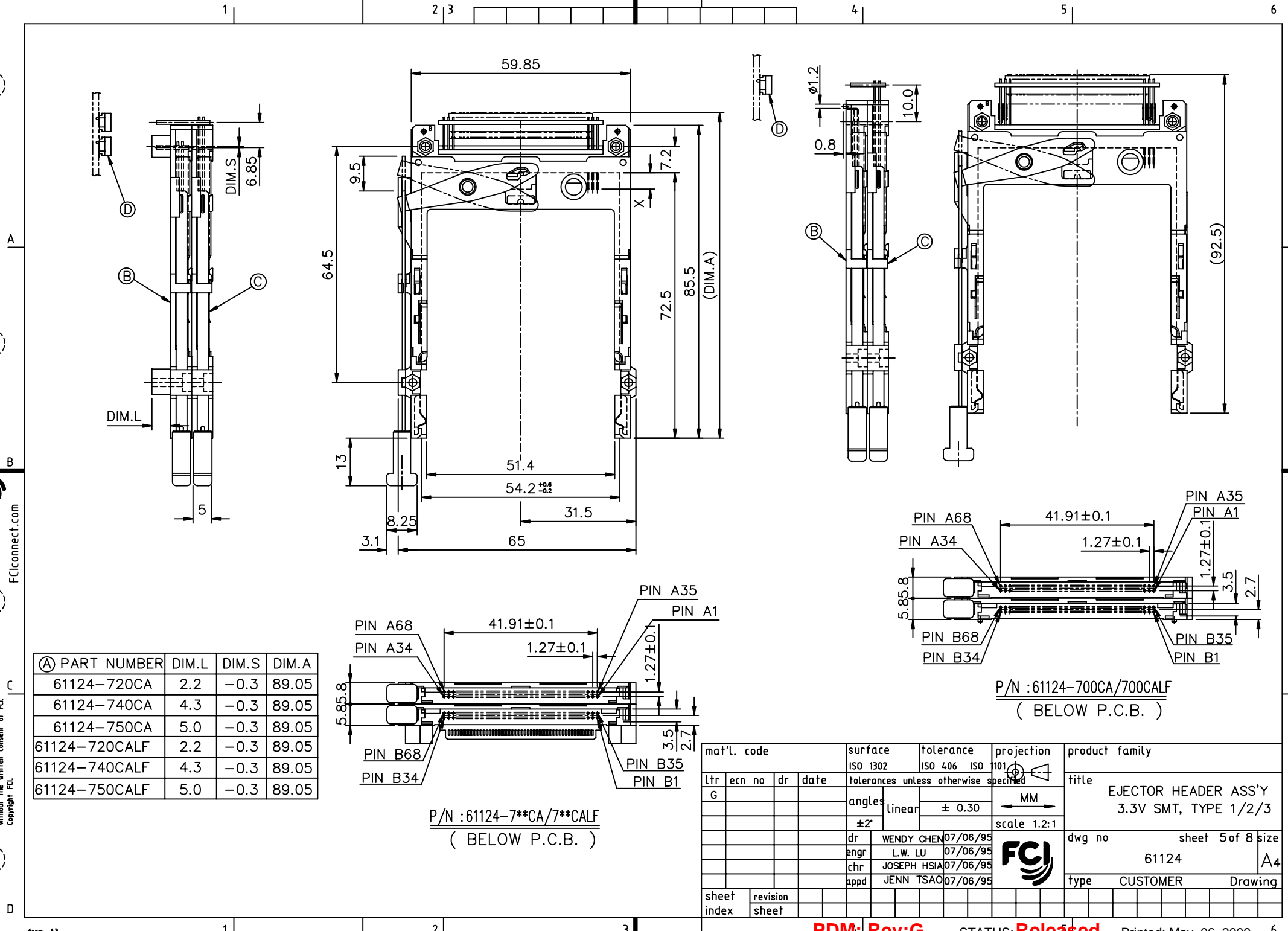
P/N : 61124-300CA/300CALF
(ABOVE P.C.B.)

mat'l. code				surface ISO 1302		tolerance ISO 406 ISO 1101		projection MM		product family	
ltr ecn no dr date				tolerances unless otherwise specified				title EJECTOR HEADER ASS'Y 3.3V SMT, TYPE 1/2/3			
G				angles linear		± 0.30		scale 1.2:1		sheet 4 of 8 size	
				±2'						61124 A4	
				dr WENDY CHEN 07/06/95		engr L.W. LU 07/06/95		chr JOSEPH HSIA 07/06/95		appd JENN TSAO 07/06/95	
										type CUSTOMER Drawing	
sheet index		revision sheet									

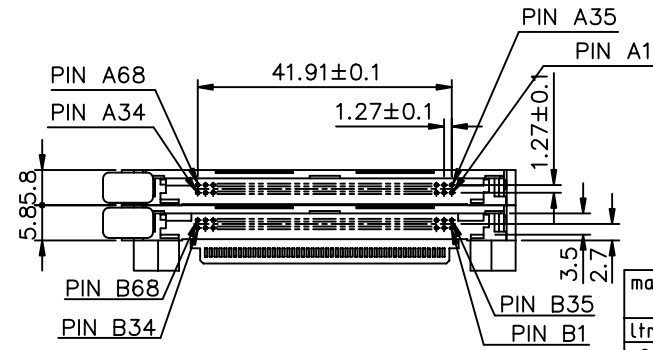
FCI CONFIDENTIAL



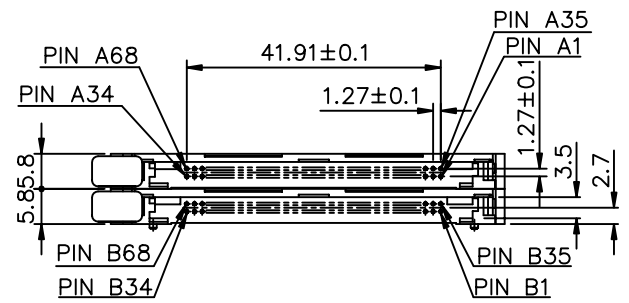
This document is the property of and embodies CONFIDENTIAL and PROPRIETARY information of FCI. No part of the information shown on this document may be used in any way or disclosed to others without the written consent of FCI.
Copyright FCI



① PART NUMBER	DIM.L	DIM.S	DIM.A
61124-720CA	2.2	-0.3	89.05
61124-740CA	4.3	-0.3	89.05
61124-750CA	5.0	-0.3	89.05
61124-720CALF	2.2	-0.3	89.05
61124-740CALF	4.3	-0.3	89.05
61124-750CALF	5.0	-0.3	89.05



P/N : 61124-7**CA/7**CALF
(BELOW P.C.B.)



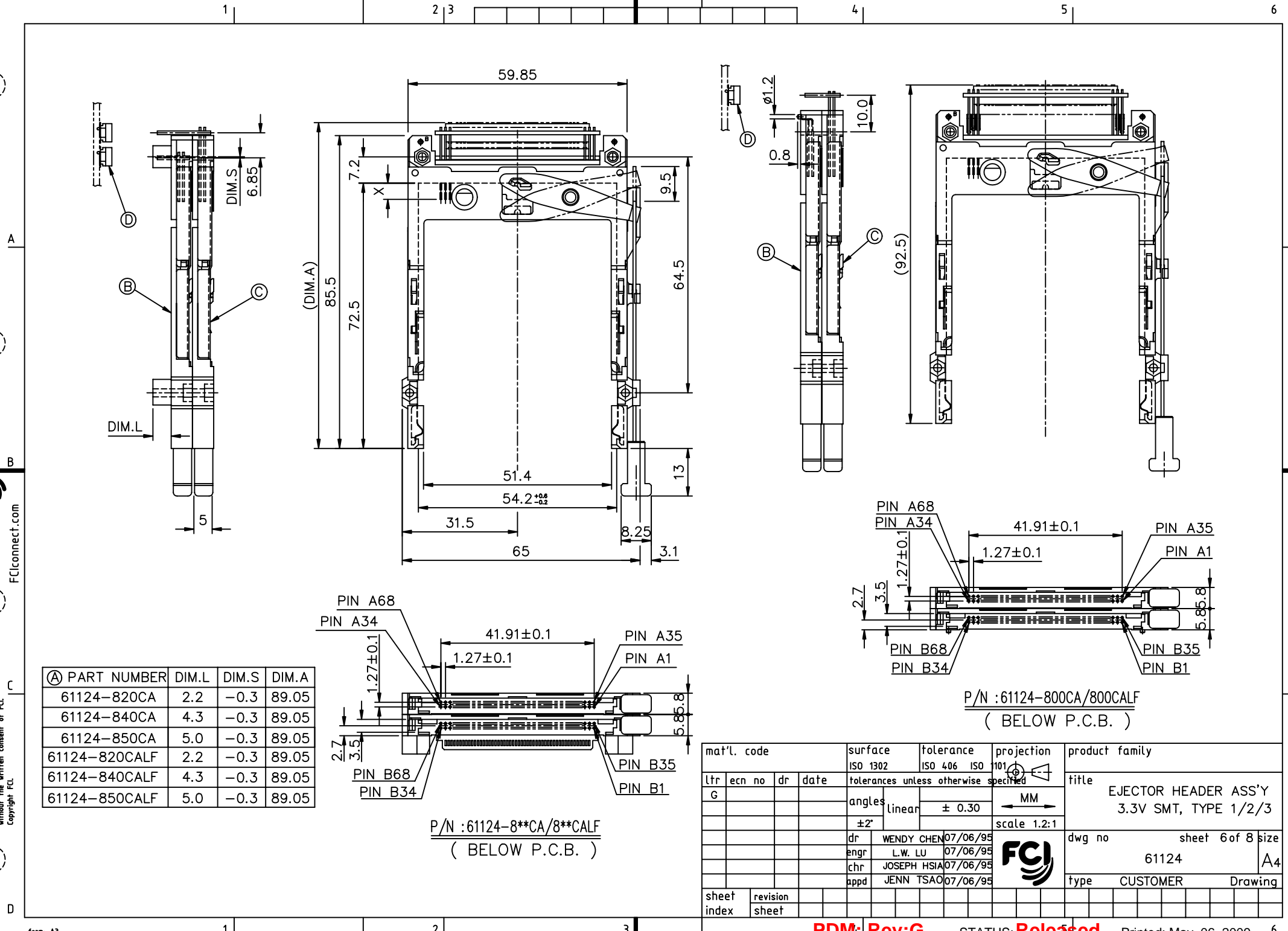
P/N : 61124-700CA/700CALF
(BELOW P.C.B.)

mat'l. code		surface ISO 1302		tolerance ISO 406 ISO 101		projection MM		product family	
ltr		ecn no		dr		date		title	
G								EJECTOR HEADER ASS'Y 3.3V SMT, TYPE 1/2/3	
				angles linear		± 0.30		scale 1.2:1	
				±2'					
		dr		WENDY CHEN		07/06/95		dwg no	
		enr		L.W. LU		07/06/95		sheet 5 of 8 size	
		chr		JOSEPH HSIA		07/06/95		61124	
		appd		JENN TSAO		07/06/95		A4	
sheet		revision						type CUSTOMER Drawing	
index		sheet							

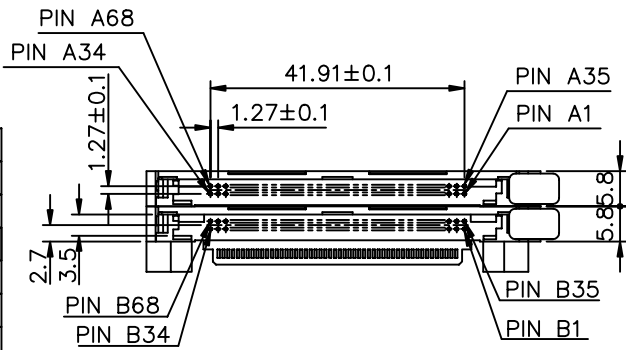
FCI CONFIDENTIAL



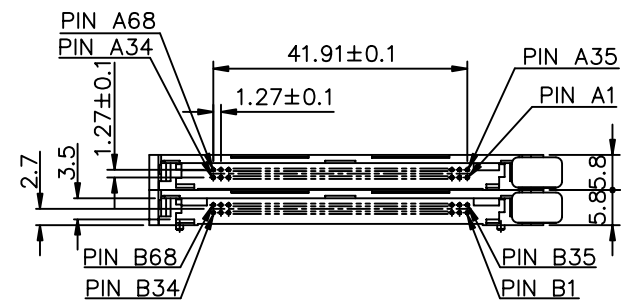
This document is the property of and embodies CONFIDENTIAL and PROPRIETARY information of FCI. No part of the information shown on this document may be used in any way or disclosed to others without the written consent of FCI.
Copyright FCI



(A) PART NUMBER	DIM.L	DIM.S	DIM.A
61124-820CA	2.2	-0.3	89.05
61124-840CA	4.3	-0.3	89.05
61124-850CA	5.0	-0.3	89.05
61124-820CALF	2.2	-0.3	89.05
61124-840CALF	4.3	-0.3	89.05
61124-850CALF	5.0	-0.3	89.05



P/N : 61124-8**CA/8**CALF
(BELOW P.C.B.)

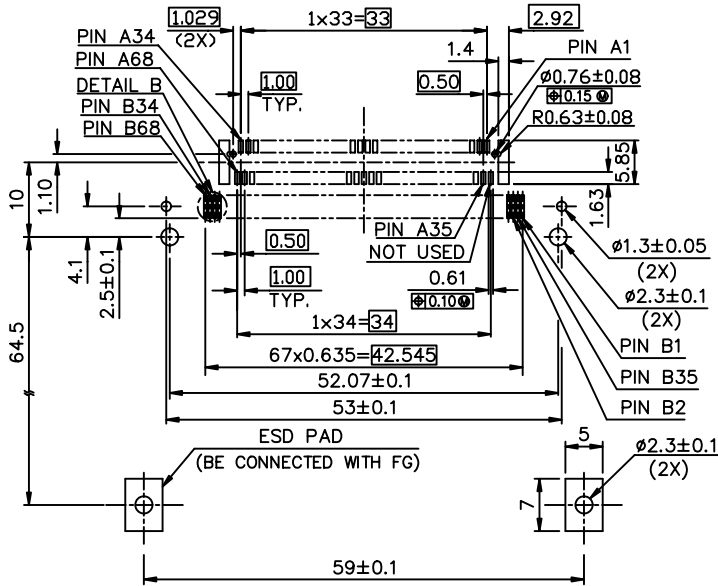


P/N : 61124-800CA/800CALF
(BELOW P.C.B.)

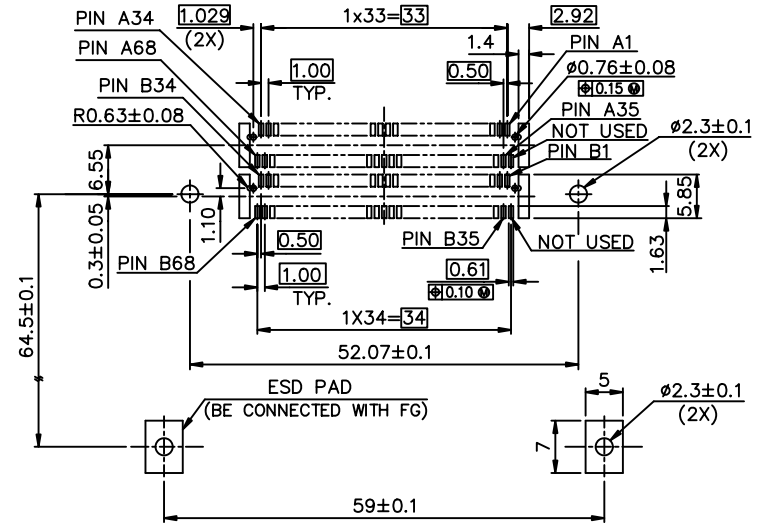
mat'l. code		surface	tolerance	projection	product family
		ISO 1302	ISO 406 ISO 1101		
ltr ecn no dr date		tolerances unless otherwise specified			title
		angles	linear	± 0.30	EJECTOR HEADER ASS'Y 3.3V SMT, TYPE 1/2/3
		±2'		MM	
				scale 1.2:1	
		dr	WENDY CHEN	07/06/95	dwg no 61124 sheet 6 of 8 size A4
		enr	L.W. LU	07/06/95	
		chr	JOSEPH HSIA	07/06/95	
		appd	JENN TSAO	07/06/95	
sheet index	revision sheet				type CUSTOMER Drawing

FCI CONFIDENTIAL

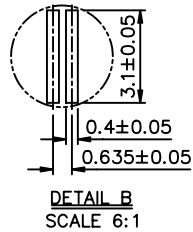
PRODUCT
61124-*****/*****LF



4 CARD INSERTION DIRECTION
RECOMMENDED P.C.B. LAYOUT 3 (MOUNTED SIDE)



4 CARD INSERTION DIRECTION
RECOMMENDED P.C.B. LAYOUT 4 (MOUNTED SIDE)



mat'l. code		surface		tolerance		projection		product family	
		ISO 1302		ISO 406 ISO 1101					
ltr		ecn no		dr		date		title	
G								EJECTOR HEADER ASS'Y 3.3V SMT, TYPE 1/2/3	
				angles		linear			
				±2'				scale 1.2:1	
		dr		WENDY CHEN		07/06/95		dwg no	
		enr		L.W. LU		07/06/95		sheet 8 of 8 size	
		chr		JOSEPH HSIA		07/06/95		61124	
		appd		JENN TSAO		07/06/95		A4	
sheet		revision						type	
index		sheet						CUSTOMER Drawing	

This document is the property of and embodies CONFIDENTIAL and PROPRIETARY information of FCI. No part of the information shown on this document may be used in any way or disclosed to others without the written consent of FCI. Copyright FCI.

FCI
FCIconnect.com