

規格承認書

PECIFICATION FOR APPROVAL

客戶
CUSTOMER : 立創
項目
ITEM : 塑壳內磁喇叭
型號
TYPE : GSPK25042PN-8R0.5W-L100
描述
DESCRIPTION : 25.x 4.2MM 单磁 8Ω 0.5W UL1571/30# L100mm S.P.L: 88+/- 3dB
客戶料號
CUSTOMER NO. :
規格書號
SPECIFICATION NO. :
版本
EDITION NO. : V1.0
日期
DATE : 2022-6-13

客戶承認

CUSTOMER CONFIRM AND SIGN

檢查 TESTED BY	審核 CHECKED BY	承認 APPROVED BY

東莞市贏海電子有限公司

DONGUAN INGHAI ELECTRONICS CO.,LTD

製作 ISSUED BY	審核 CHECKED BY	確認 APPROVED BY
周明	刘承成	

地址：廣東省東莞市長安鎮上沙第五工业区新春 1 路新春科技园

電話 / TEL: 0769-83060958 傳真 / FAX: 0769-81608993

網址: [HTTP://WWW.INGHAI.COM](http://www.inghai.com)

<h1>SPECIFICATIONS</h1>		4-1
TYPE NO.	GSPK25042PN-8R0.5W-L100	

1.PRODUCT OUTLINE

1-1 SCOPE	This specification is a typical speaker unit for telephone hand set
1-2 DIMENSIONS	As shown in fig (1)
1-3 NET WEIGHT	APPROX. 1.2 grams
1-4 OPERATING TEMPERATURE	-30°C to +70°C
1-5 STORAGE TEMPERATURE	-40°C to +85°C

2. ELECTROACOUSTIC CHARACTERISTICS

2-1 TEST SET UP	Measuring conditions and procedures shown in fig(2)
2-2 IMPEDANCE	$8\Omega \pm 15\%$ ohm (at 2 KHz, 0.9Vrms)
2-3 SOUND PRESSURE LEVEL	88dB ± 3 dB SPL /0.25W/10mm at 800、1000、1500、2000Hz .AVE
2-4 FREQUENCY RESPONSE	$850 \pm 20\%$ HZ
2-5 INPUT POWER (NOM. /MAX.)	0.5W
2-6 AUDIBLE NOISE	Must be free audible noise (buzzes and rattles) (350 ~ 10KHz frequency range , input level up to 2.5Vrms)
2-7 DISTORTION	Less than 10% at 1KHz 0.1W

C H A N G E S						
	NO.	DATE	BEFORE	AFTER	REASON OF CHANGE	SIGN.

<h1>SPECIFICATIONS</h1>		4-2
TYPE NO.	GSPK25042PN-8R1W-L30-1.25T	

3.RELIABLE TEST	
3-1 GENERAL	After any following tests the response at 1 KHz shall not deviate more than ± 3 dB from the initial value
3-2 LOAD TEST	Input power:0.8 W ,white noise 48 hours
3-3 HUMIDITY TEST	Temperature: $+40^{\circ}\text{C} \pm 2^{\circ}\text{C}$ Relative Humidity: 90%~95% Duration: 48hours (recovery 6 hours)
3-4 DROP TEST	Height: 1.0M Cycle: 10cycles
3-5 VIBRATION TEST	Frequency: 10-55Hz. Amplitude: 1.5mm Duration: 2 hours in each 3axes
3-6 TEMPERATURE SHOCK TEST	<p>Temperature: $-40^{\circ}\text{C} \pm 3^{\circ}\text{C}$ \longleftrightarrow $+85^{\circ}\text{C} \pm 3^{\circ}\text{C}$ Cycle: 20 cycles Duration: 2 hour 2 hour (recovery 2 hours)</p>
3-7 HIGH TEMPERATURE TEST	Temperature: $+85^{\circ}\text{C} \pm 3^{\circ}\text{C}$ Duration: 48 hours
3-8 LOW TEMPERATURE TEST	Temperature: $-40^{\circ}\text{C} \pm 3^{\circ}\text{C}$ Duration: 48 hours
3-9 TERMINAL STRENGTH TEST	Load : 1.0Kg Duration: 15sec. (Shall be normal)

C H A N G E S						
	NO.	DATE	BEFORE	AFTER	REASON OF CHANGE	SIGN.

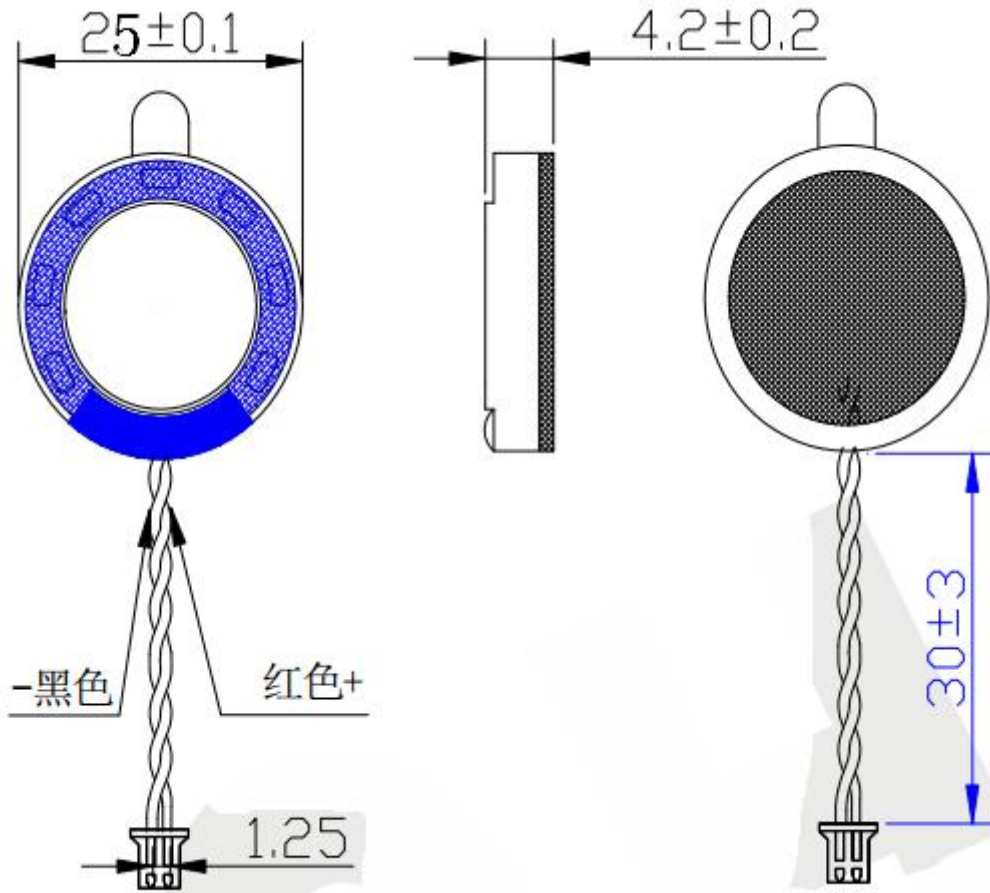
SPECIFICATIONS

4-3

TYPE NO.

GSPK25042PN-8R0.5W-L30-1.25T

4.DIMENSIONS (fig. 1) 注：线长和端子可以更改定制



单位:mm

C H A N G E S						
	NO.	DATE	BEFORE	AFTER	REASON OF CHANGE	SIGN.

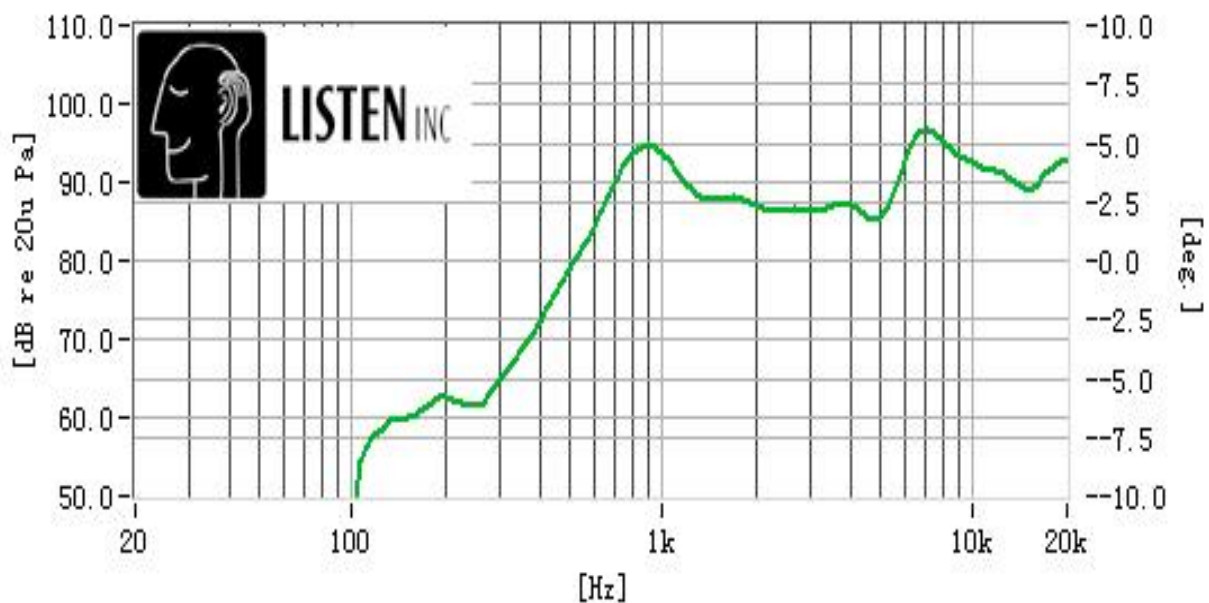
SPECIFICATIONS

4-4

TYPE NO.

GSPK25042PN-8R0.5W-L30-1.25T

6.FREQUENCY RESPONSE CURVE (fig.3)



C H A N G E S						
	NO.	DATE	BEFORE	AFTER	REASON OF CHANGE	SIGN.