







-  1500Vdc Isolation between Gate and Drive
-  Operation frequency: 50kHz minimum
-  Basic insulation (1.4mm creepage / clearance) and operational insulation is available
-  Operating temperature -40°C to +125°C.
-  RoHS compliant
-  Custom design is also available



ELECTRICAL SPECIFICATION @ 25°C

Part Number	Turns Ratio	Primary Inductance (uH Min)	Leakage Inductance (uH Max)	DCR Primary (Max)	DCR Secondary (Max)	Hipot	Max V. sec	Package Size (L x W x H) (mm Max)
Operational Insulation								
834-00002F	1 : 1 : 1	3300	0.70	1.60	1.60	1500Vdc	45.1	9.0 x 8.6 x 7.6
834-00003F	1 : 1 : 1	300	0.50	2.00	2.00	1500Vdc	23.8	8.0 x 6.6 x 5.3
834-00006F	1 : 1 : 1	1140	0.65	0.75	0.75	1500Vdc	12.7	8.6 x 6.7 x 3.6
834-00007F	1 : 1	600	17.00	0.80	0.80	1500Vdc	9.3	7.2 x 5.1 x 3.8
834-00012F	1 : 1	785	0.46	0.60	0.60	1500Vdc	9.7	9.1 x 6.6 x 2.5
Basic Insulation (1.4mm creepage and clearance between Primary and Secondary)								
834-00011F	2 : 1 : 1	1200	0.60	0.91	0.46	1500Vrms	27.2	9.0 x 8.6 x 7.6
834-00022F	1 : 1	1200	0.50	0.91	0.91	1500Vrms	27.2	9.0 x 8.6 x 7.6
834-00023F	2.5 : 1 : 1	1200	0.68	0.91	0.38	1500Vrms	27.2	9.0 x 8.6 x 7.6

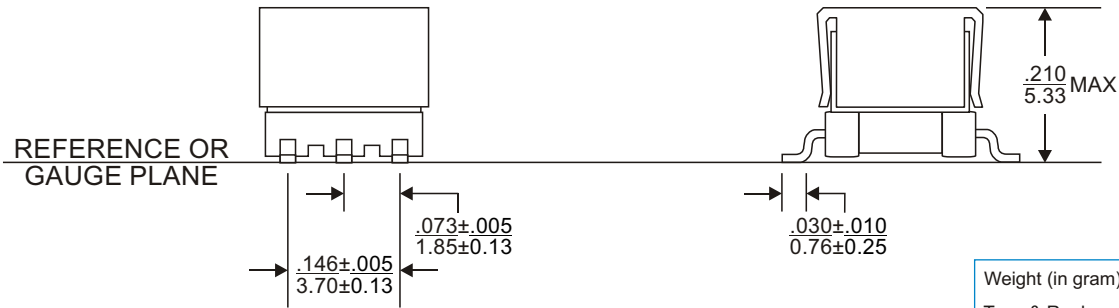
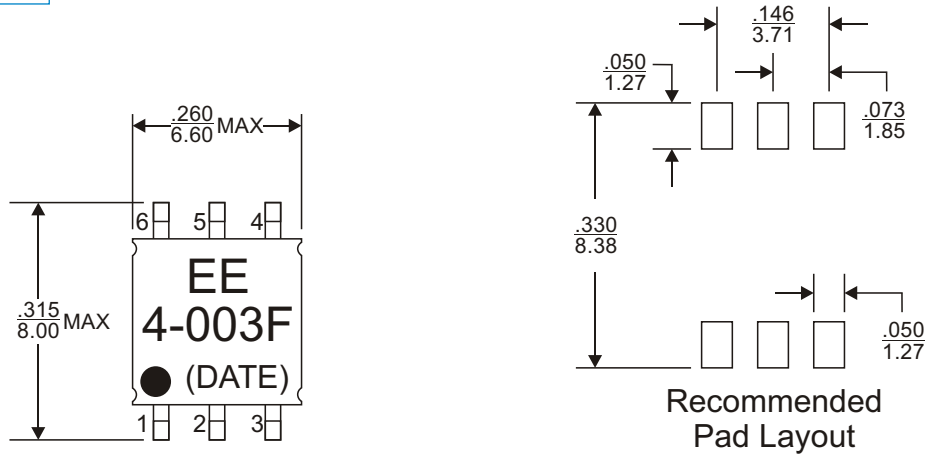
Notes:

1. Ordering Information: 834-000xxFc.
834-000xxF = Part number (F : stands for RoHS compliant).
c = Packaging Code (T = Tape & Reel Packaging in 13 inch Reel).
2. The maximum volt- sec rating limits the peak flux density to 2200 Gauss when used in a unipolar drive application. For bi-polar drive application, a maximum volt- sec of two times this rating is acceptable.
3. Leakage inductance is measured at primary terminals with all secondaries shorted.
4. Operating temperature range: -40°C to +130°C. The part temperature (ambient temperature + temperature rise) should not exceed the upper limit of the operating temperature under worst case operating conditions. Circuit design, component placement, PWB trace size and thickness, airflow and other cooling provisions all affect the part temperature. Part temperature should be verified in the end application.



MECHANICAL DIMENSIONS

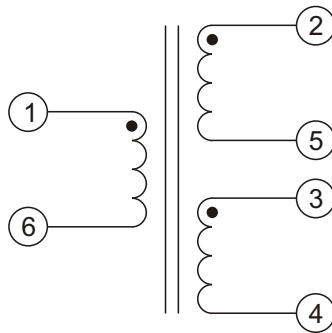
834-00003F



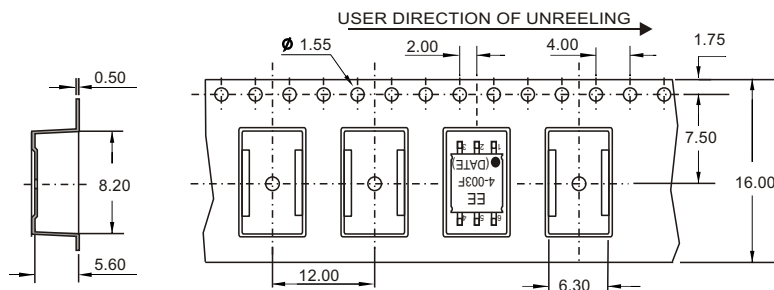
Weight (in gram)	: 0.50 typ.
Tape & Reel	: 800 / reel

Unless otherwise specified, all tolerances are $\pm \frac{.010}{0.25}$.

SCHEMATICS

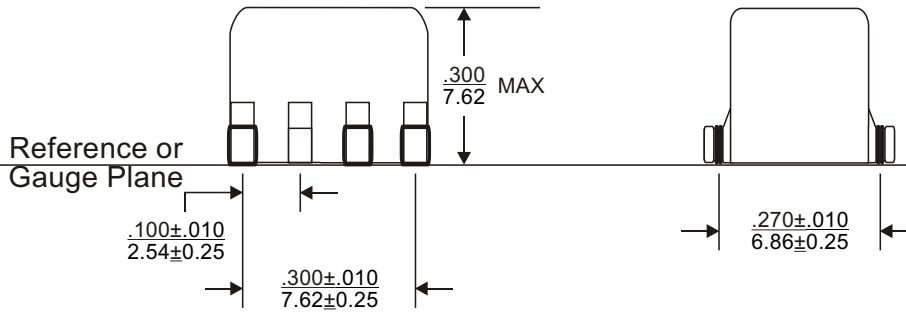
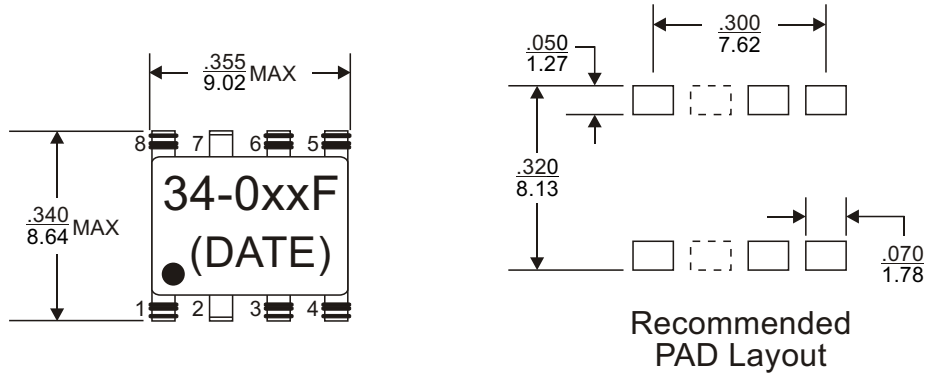


PACKAGING



MECHANICAL DIMENSIONS

834-00002F / 834-00011F / 834-00022F / 834-00023F

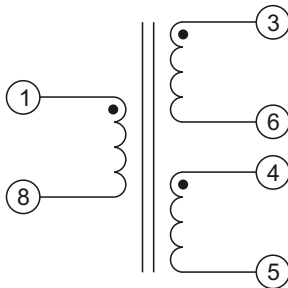


Weight (in gram)	: 0.65 typ.
Tape & Reel	: 600 / reel

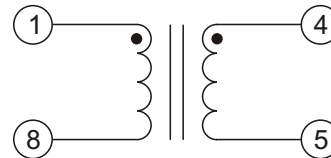
Unless otherwise specified, all tolerances are $\pm \frac{.010}{0.25}$.

SCHEMATICS

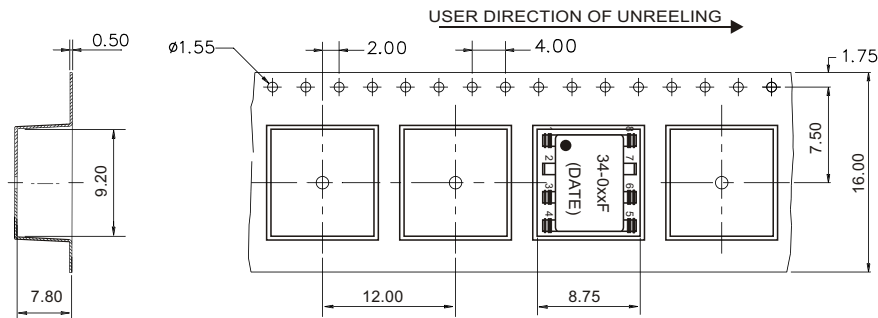
834-00002F / 834-00011F / 834-00023F



834-00022F



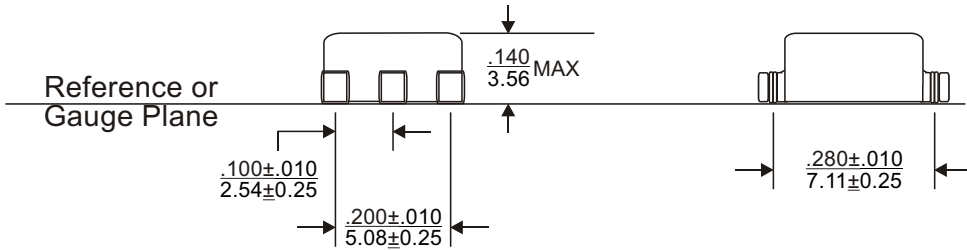
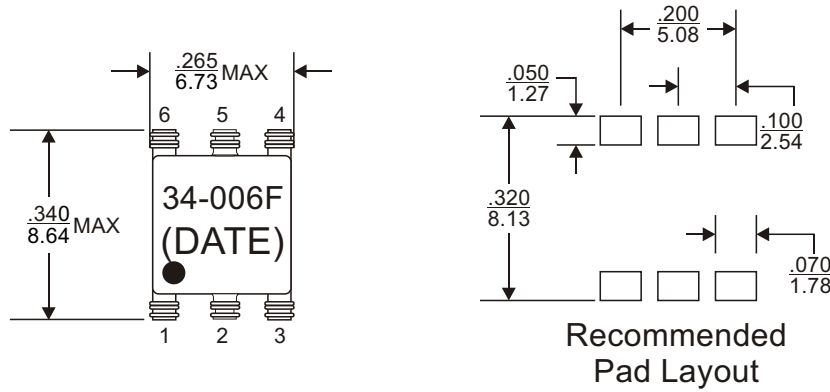
PACKAGING





MECHANICAL DIMENSIONS

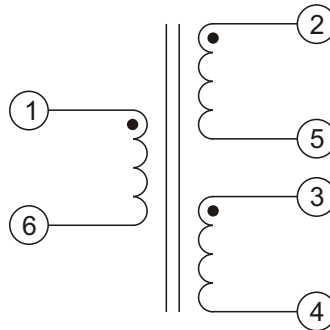
834-00006F



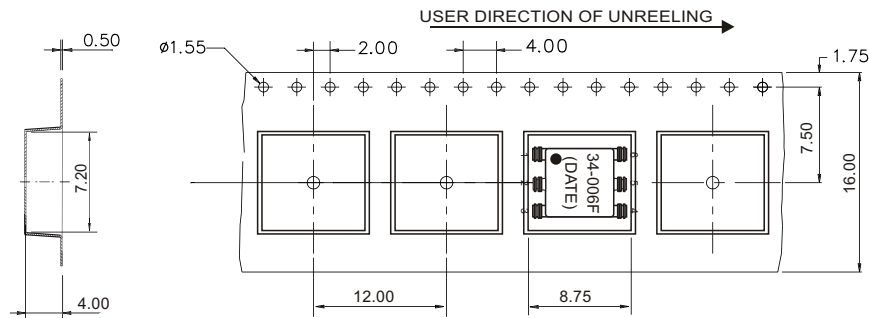
Unless otherwise specified, all tolerances are $\pm \frac{.010}{.025}$.

Weight (in gram)	: 0.23 typ.
Tape & Reel	: 1200 / reel

SCHEMATICS



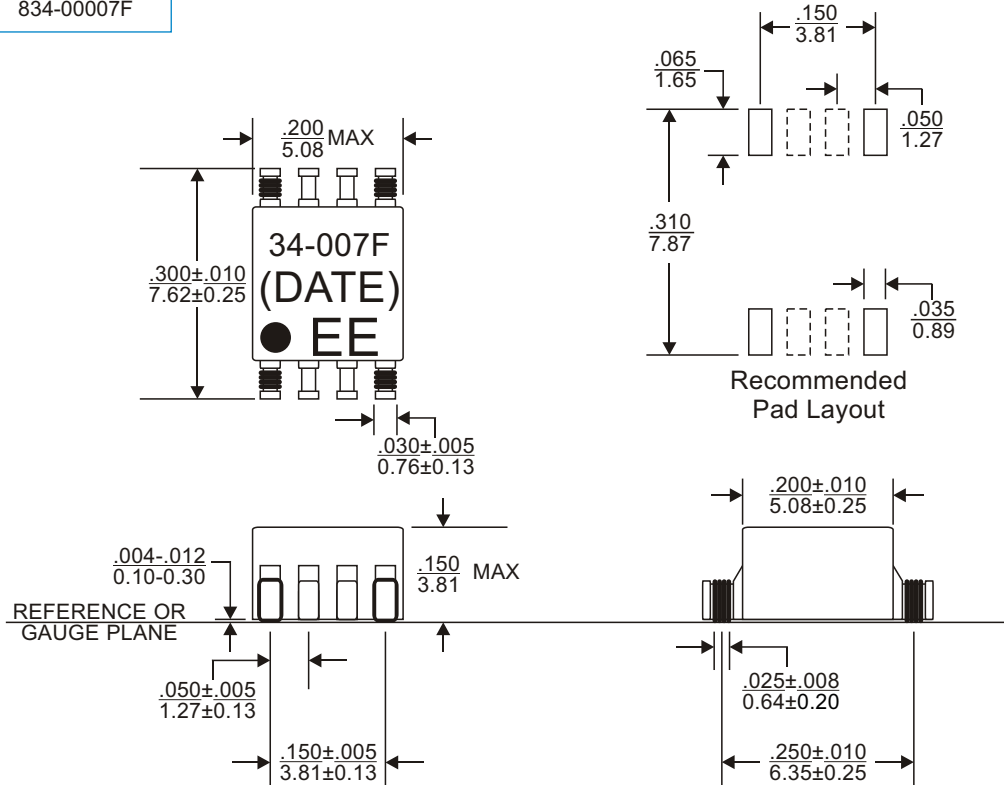
PACKAGING





MECHANICAL DIMENSIONS

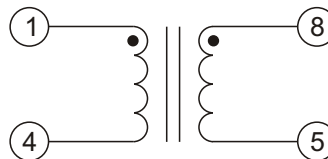
834-00007F



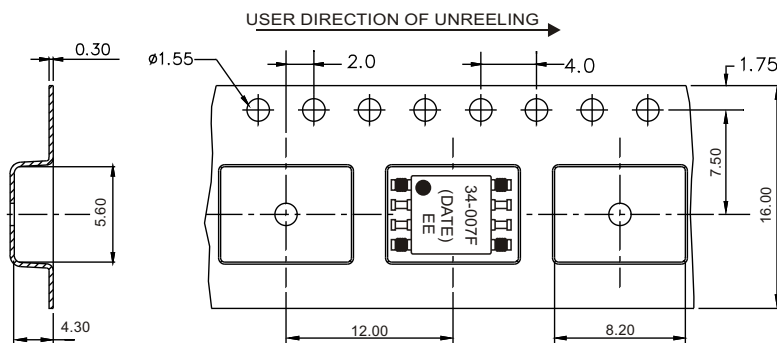
Unless otherwise specified, all tolerances are $\pm \frac{.010}{0.25}$.

Weight (in gram)	: 0.65 typ.
Tape & Reel	: 1100 / reel

SCHEMATICS



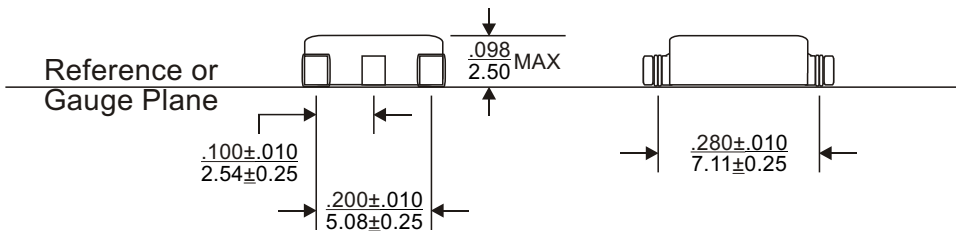
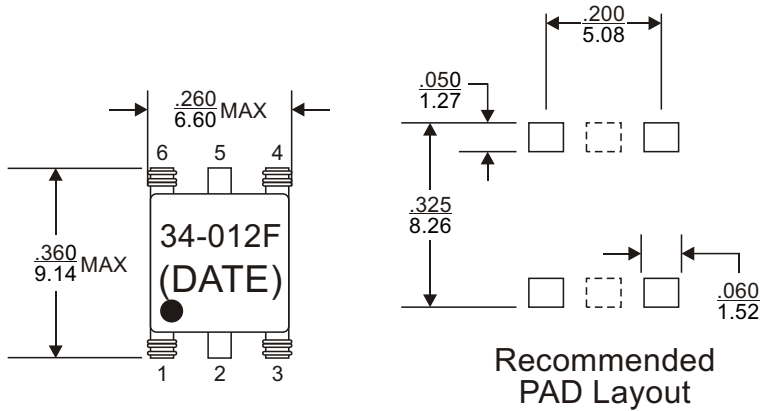
PACKAGING





MECHANICAL DIMENSIONS

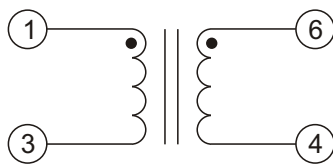
834-00012F



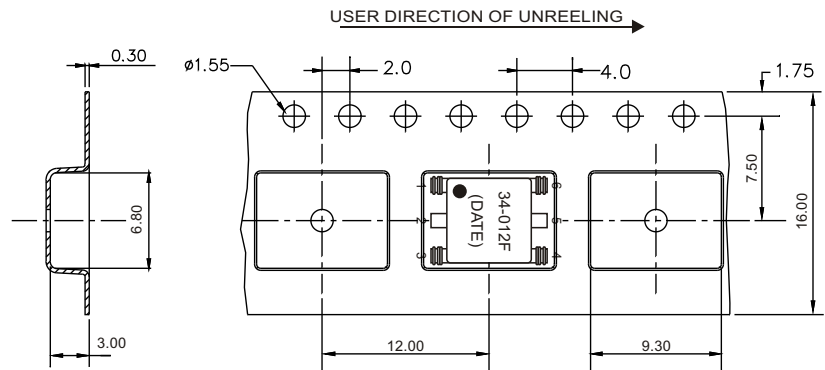
Unless otherwise specified, all tolerances are $\pm \frac{.010}{0.25}$.

Weight (in gram)	: 0.15 typ.
Tape & Reel	: 1800 / reel

SCHEMATICS



PACKAGING



FOR MORE INFORMATION, PLEASE CONTACT

HEADQUARTER
1/F., Harbour View 1, No.12 Science Park East Avenue,
Phase II, Hong Kong Science Park, Shatin, N.T.
Hong Kong
Tel: (852) 2954 3333 Fax: (852) 2954 3304
Email: eempl@eleceltek.com
Website: <http://www.eleceltek.com> / www.eemagnetic.com

Information herein is for reference only and subject to change without notice. It does not constitute any representation, warranty or commitment of the company in respect of the products in any aspect. All logos, brands and product names mentioned herein are trademarks or registered trademarks of their respective owners. The company does not assume any liability arising out of the application or use of any product or circuit described herein. Copyrights 2009, E & E Magnetic Products Limited.

1/F., Harbour View 1, No.12 Science Park East Avenue, Phase II, Hong Kong Science Park, Shatin, N.T. Hong Kong
Tel: (852) 2954 3333 • Fax: (852) 2954 3304