

SPECIFICATION

| | | |
|--------------|---|---|
| Part No. | : | TI.10.0111 |
| Product Name | : | 433MHz ISM Band Terminal Antenna Omni-directional, with a peak gain of 0dBi |
| Features | : | SMA(M) Plug Connector Low Profile and Robust Handling 46mm Antenna Dimensions IP65 RoHS Compliant |
| Picture | : | |



1. Introduction

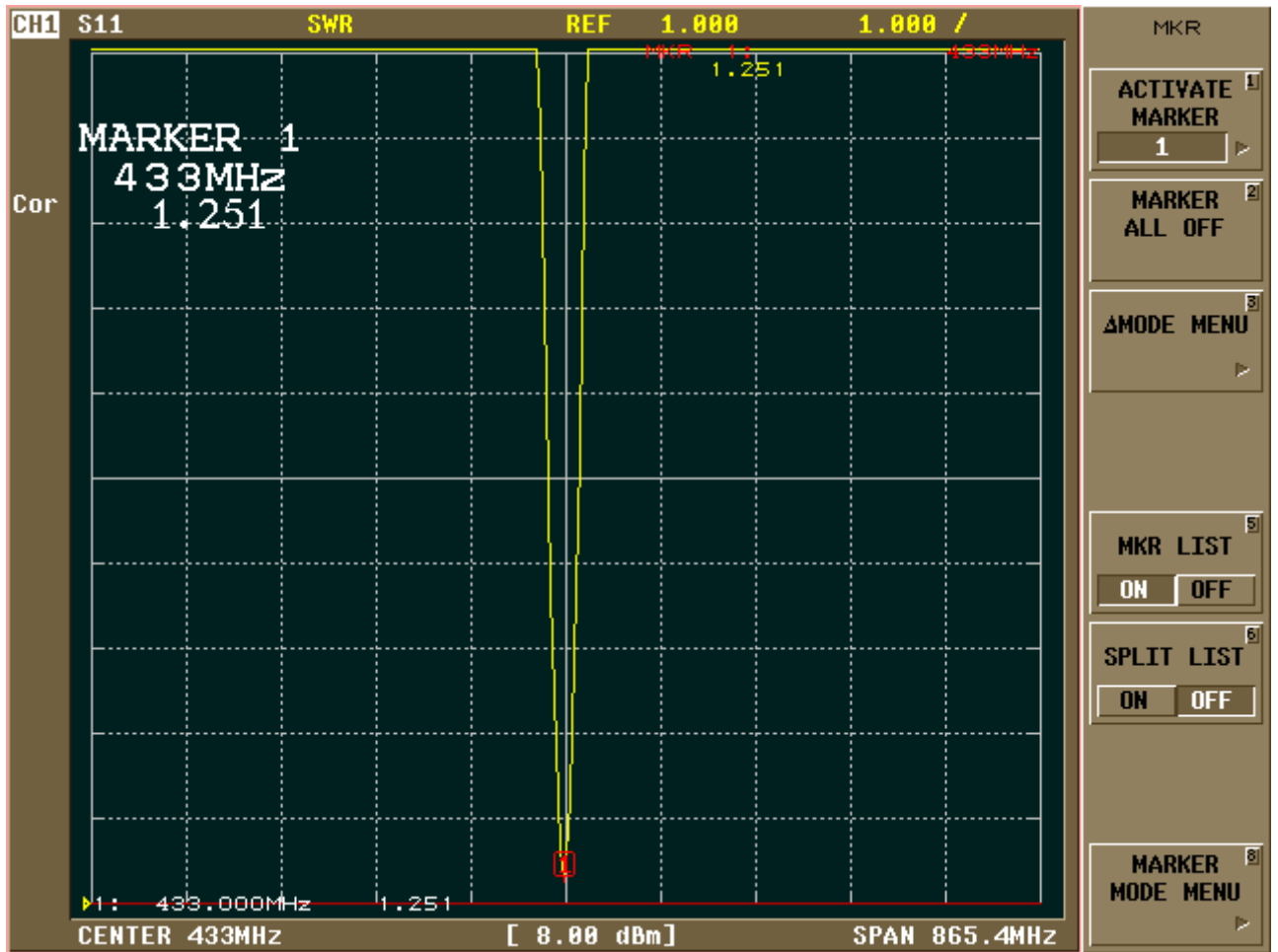
The TI.10 series are high performance 433MHz omni-directional antennas. The TI.10 terminal SMA plug mount antenna is ideal for mobile small form factor applications. At only 46mm in length Omni-directional with a peak gain 0dBi ensures constant reception and transmission. The antenna structure is designed for robust handling and the housing is made with TPE giving reliable performance in tough environments.

2. Key Antenna Performance Indicators

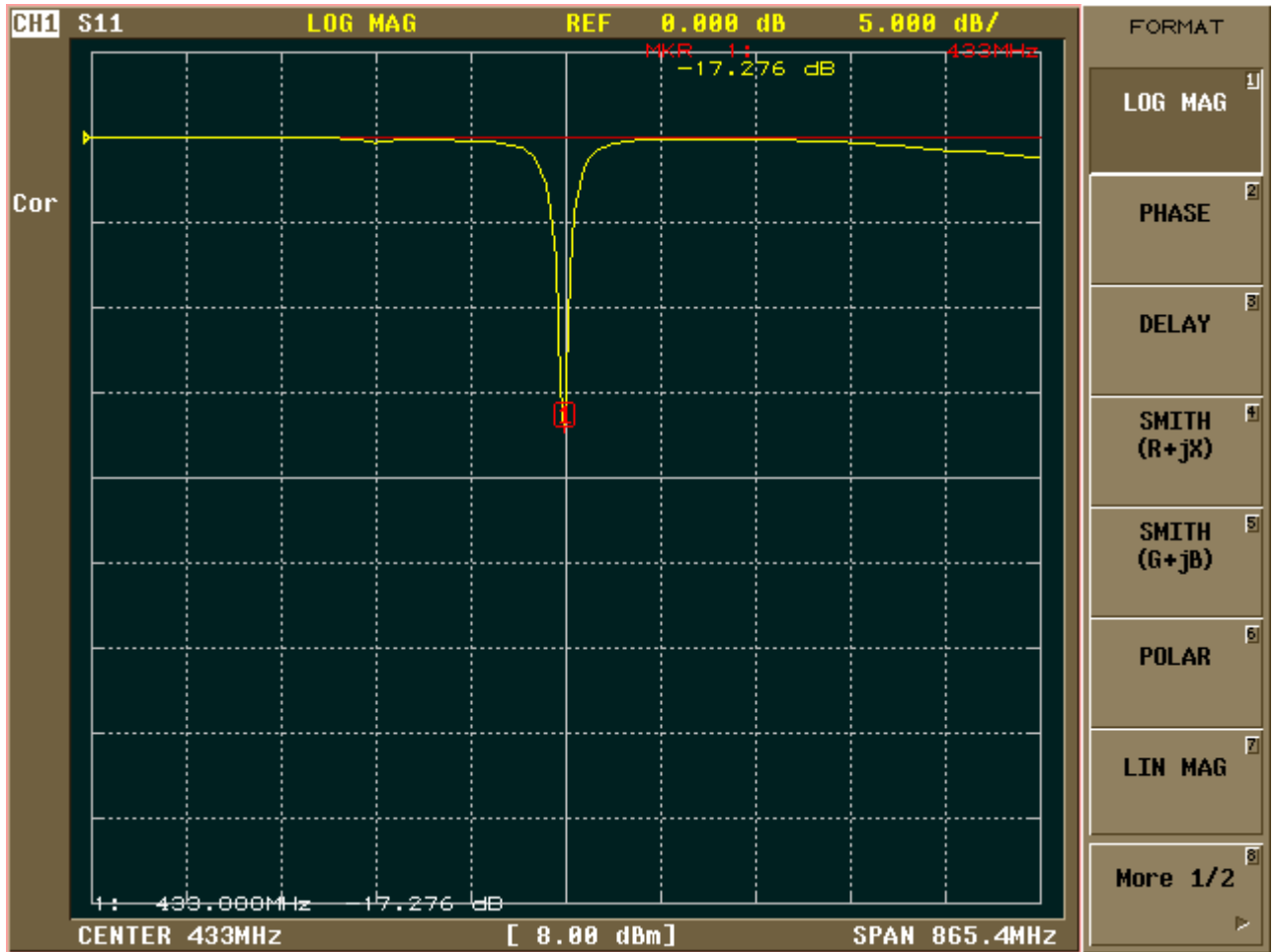
| Parameter | Specification |
|-----------------------|------------------|
| Applications | 433MHz ISM Band |
| Frequency | 433.05~434.79MHz |
| Peak Gain | 0dBi |
| Return Loss | -17dB |
| Impedance | 50 Ohms |
| Radiation Pattern | Omni-directional |
| Polarization | Linear |
| VSWR | ≤1.5:1 |
| Power handling | 5 W |
| Housing | TPE |
| Connector | SMB(F) plug |
| Operation Temperature | -40°C to + 85°C |
| Storage Temperature | -40°C to + 105°C |
| Relative Humidity | 40% to 95% |
| Dimensions | Length: 46mm |
| Weight | 8.5g |

3. Antenna Parameters

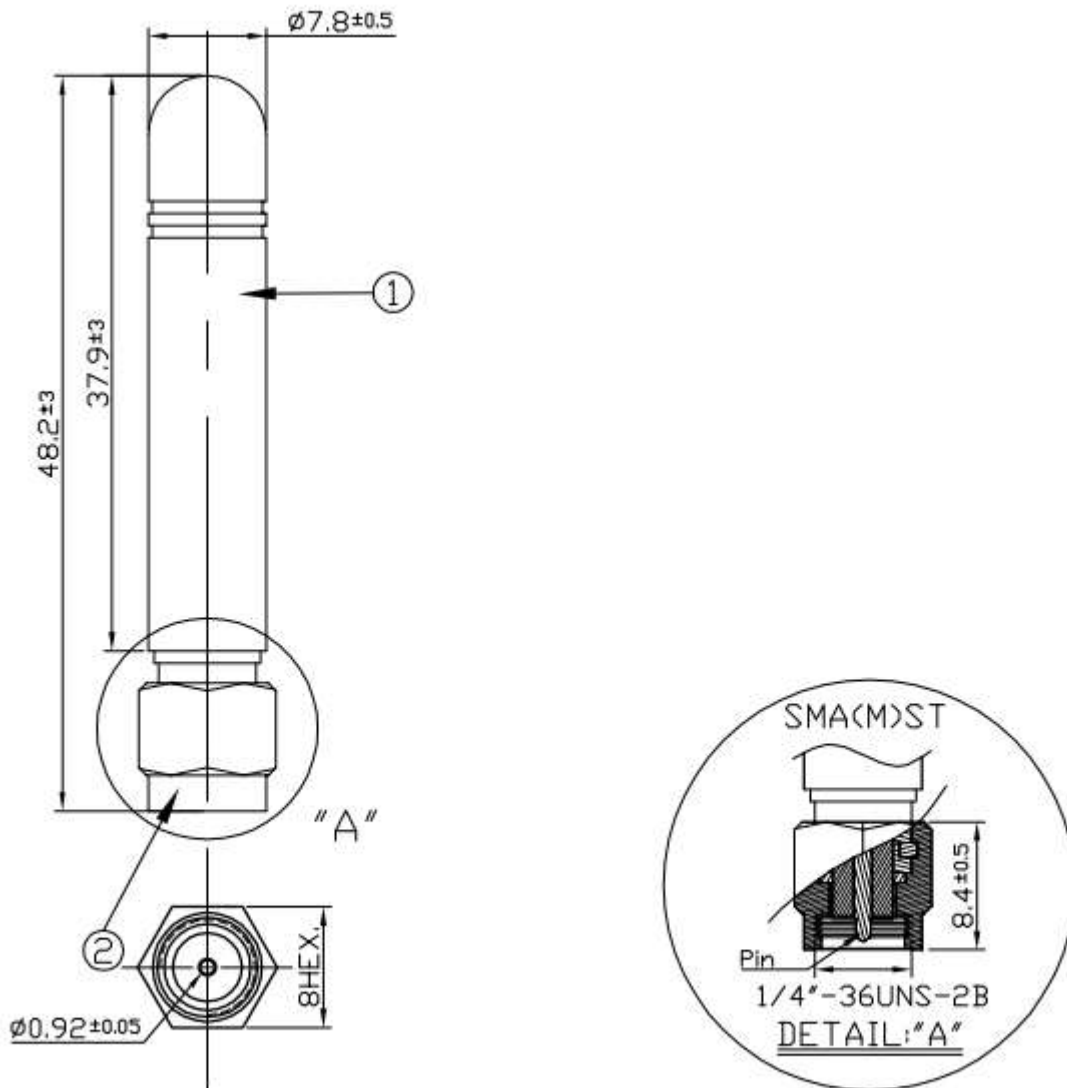
3.1 VSWR Data



3.2 Return Loss Data



4. Mechanical Drawing



| | Name | Material | Finish | Quantity |
|---|---------------|----------|--------|----------|
| ① | Antenna Cover | TPU | Black | 1 |
| ② | SMA(M)ST | Brass | Gold | 1 |