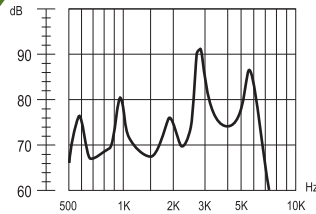
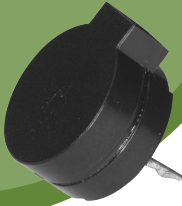


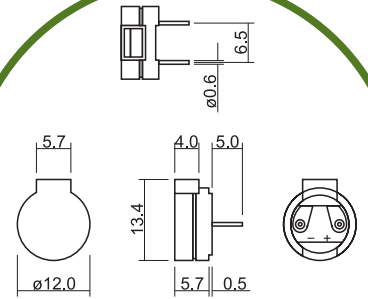
# SoniCrest Electro-Magnetic Sound Generators

## HC12G-04F Series



### Frequency Response

Applied Voltage : 1.5V, 50% Duty Square Wave  
Measuring Distance : 10cm



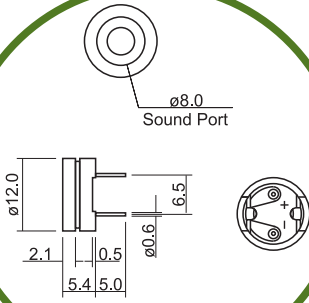
### Dimension

Unit: mm  
Tolerance : 0.3mm

**Specification** (all data taken at 25°C unless otherwise specified)

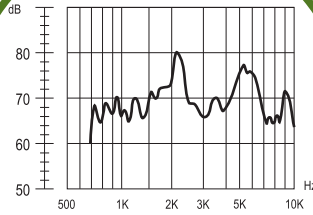
Model	Rated Voltage (V)	Operating Voltage (V)	★Rated Current (mA)	Coil Resistance (Ω)	⊕Coil Impedance (Ω)	★Sound Output at 10cm (dB)	Rated Frequency (Hz)	Operating Temperature (°C)	Storage Temperature (°C)	Housing Material	Weight (g)
HC12G-04F	1.5	1 ~ 2	≤80	5 ± 1	22	≥85	2731	-25 ~ +70	-30 ~ +85	Noryl SE1	2

★ Value Applying Rated Voltage, Rated Frequency, 50% Duty Square Wave  
⊕ Value Applying Rated Frequency, Sine Wave, Measuring Current 60μA



### Dimension

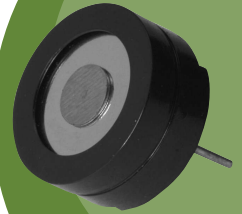
Unit: mm  
Tolerance : 0.3mm



### Frequency Response

Applied Voltage : 1.5V, 50% Duty Square Wave  
Measuring Distance : 10cm

## HC12G-105 Series

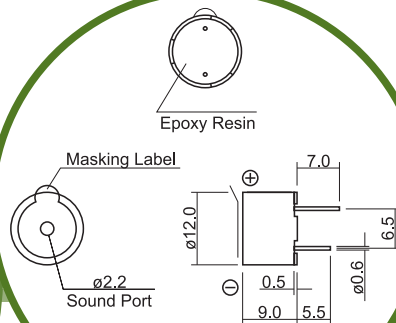


**Specification** (all data taken at 25°C unless otherwise specified)

Model	Rated Voltage (V)	Operating Voltage (V)	★Rated Current (mA)	Coil Resistance (Ω)	⊕Coil Impedance (Ω)	★Sound Output at 10cm (dB)	Rated Frequency (Hz)	Operating Temperature (°C)	Storage Temperature (°C)	Housing Material	Weight (g)
HC12G-105A	1.5	1 ~ 2	≤30	16 ± 2	40	≥75	2048	-25 ~ +70	-30 ~ +85	Noryl SE1	2
HC12G-105B	1.5	1 ~ 2	≤15	42 ± 6	120	≥70	2048	-25 ~ +70	-30 ~ +85	Noryl SE1	2
HC12G-105C	1.5	1 ~ 2	≤15	50 ± 7.5	140	≥70	2048	-25 ~ +70	-30 ~ +85	Noryl SE1	2

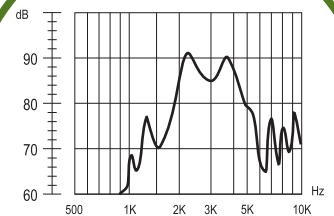
★ Value Applying Rated Voltage, Rated Frequency, 50% Duty Square Wave  
⊕ Value Applying Rated Frequency, Sine Wave, Measuring Current 60μA

## HCM12A Series



### Dimension

Unit: mm  
Tolerance : 0.3mm



### Frequency Response

Applied Voltage : 6V, 50% Duty Square Wave  
Measuring Distance : 10cm

**Specification** (all data taken at 25°C unless otherwise specified)

Model	Rated Voltage (V)	Operating Voltage (V)	★Rated Current (mA)	Coil Resistance (Ω)	⊕Coil Impedance (Ω)	★Sound Output at 10cm (dB)	Rated Frequency (Hz)	Operating Temperature (°C)	Storage Temperature (°C)	Housing Material	Weight (g)
HCM1201A	1.5	1 ~ 2	≤70	6.5 ± 1	16	≥75	2400	-40 ~ +85	-40 ~ +85	Noryl	2
HCM1206A	6	4 ~ 8	≤60	45 ± 5	80	≥85	2400	-40 ~ +85	-40 ~ +85	SE1-GFN2	2
HCM1212A	12	7 ~ 16	≤60	140 ± 14	240	≥85	2400	-40 ~ +85	-40 ~ +85		2

★ Value Applying Rated Voltage, Rated Frequency, 50% Duty Square Wave  
⊕ Value Applying Rated Frequency, Sine Wave, Measuring Current 60μA