

8071-3089 Breakout Cable for 7-Port Unmanaged Ethernet Switch



Breakout cable for 7-port Ethernet switch



How To Order

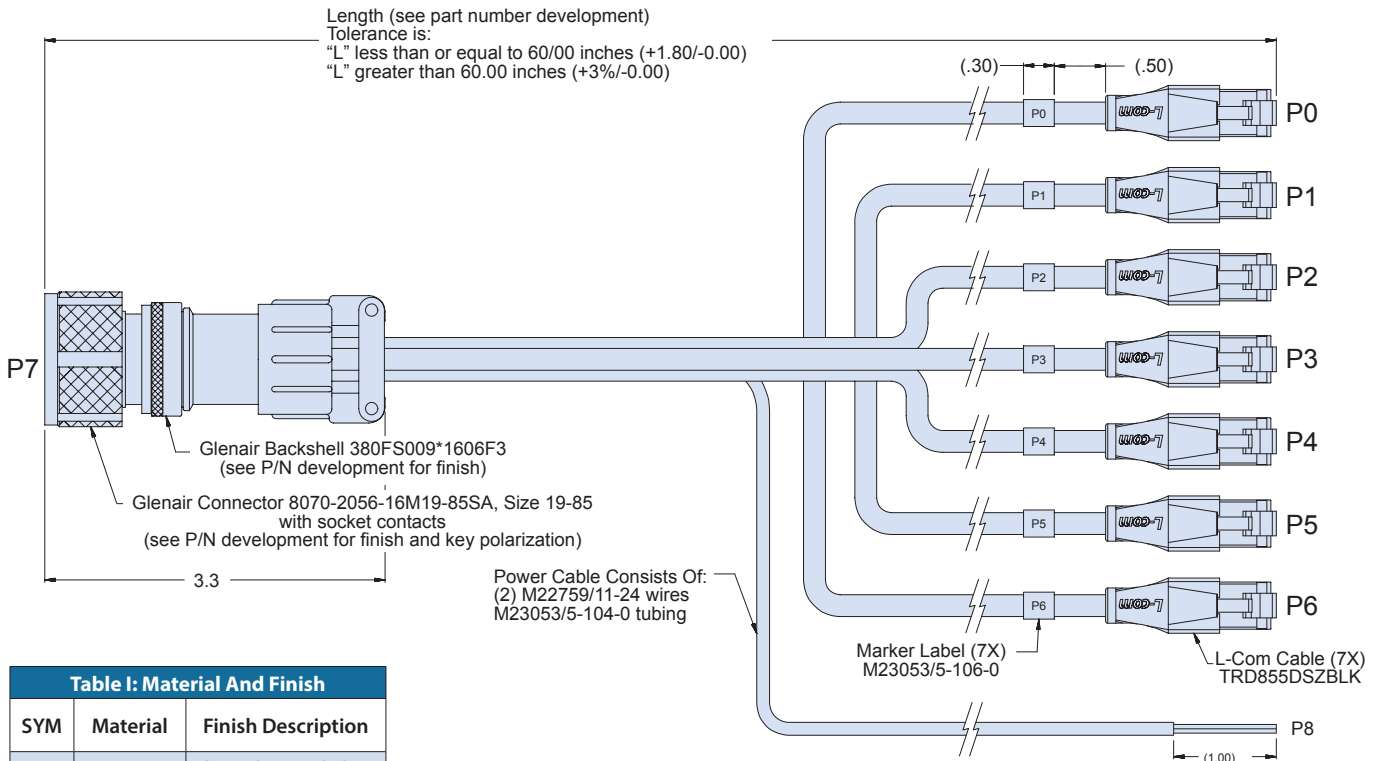
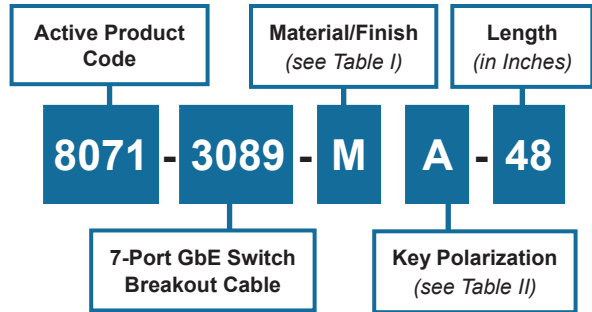


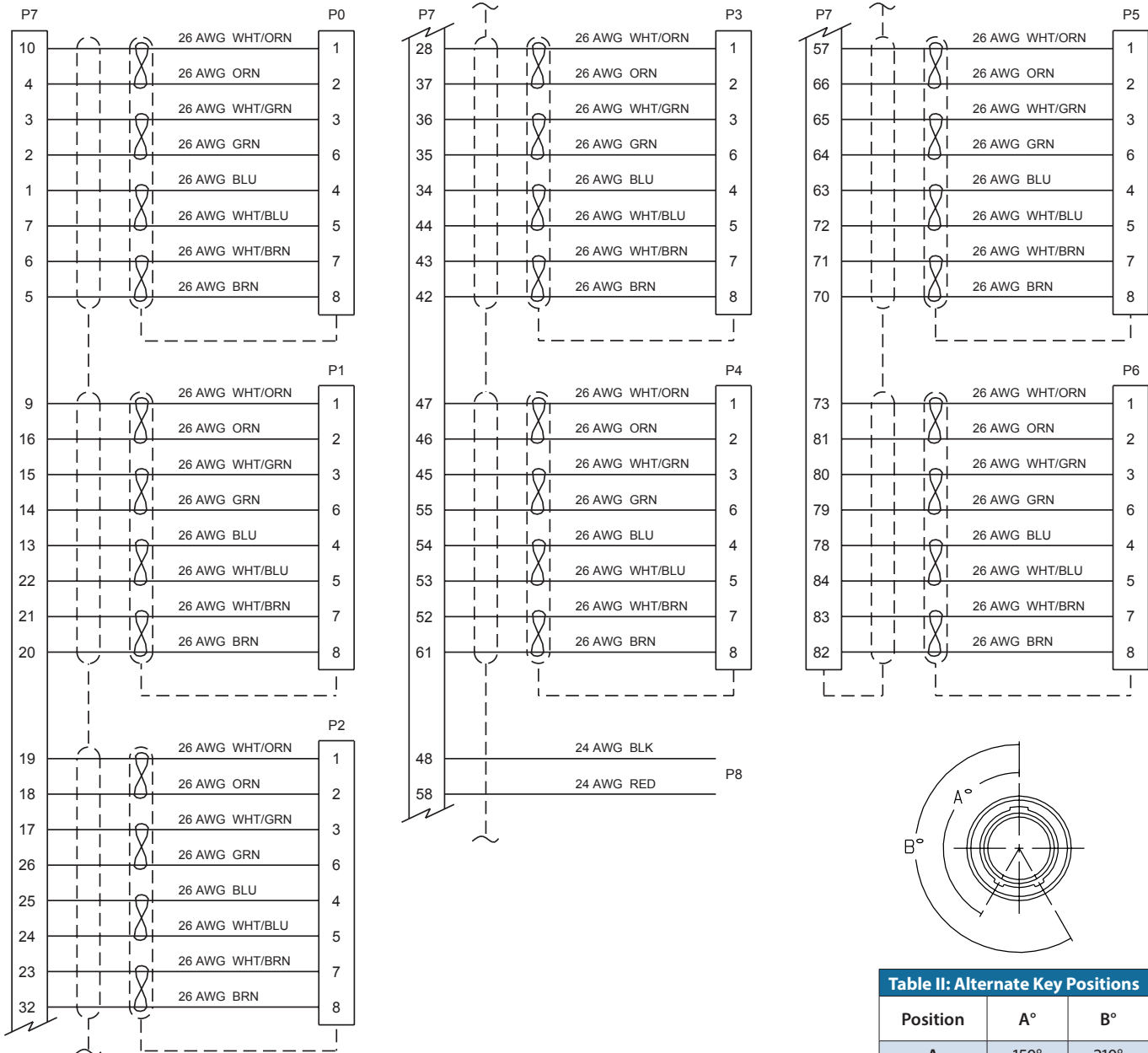
Table I: Material And Finish

SYM	Material	Finish Description
M*	Aluminum	Electroless Nickel
MT		Nickel - PTFE
NF		Cadmium, Olive Drab over Electroless Nickel
ZN		Zinc-Nickel, Olive Drab over Electroless Nickel
ZNU		Zinc-Nickel, Black over Electroless Nickel

Notes

- 100% electrical test, continuity, DWV (500 VAC sea level) and insulation resistance (200 Megohms minimum)
- Refer to Glenair catalog for connector materials, finishes, and dimensions

Breakout cable for 7-port Ethernet switch—wiring diagram



TAG/BAG LABEL

8071-3089
 (JOB NUMBER)
 GLENAIR 06324
 1 EACH (DATE CODE)

Table II: Alternate Key Positions

Position	A°	B°
A	150°	210°
B	75°	210°
C	95°	230°
D	140°	275°
E	75°	275°

Mouser Electronics

Authorized Distributor

Click to View Pricing, Inventory, Delivery & Lifecycle Information:

[Glenair:](#)

[8071-3089-MTA-48](#)