

KR Electronics, Inc.

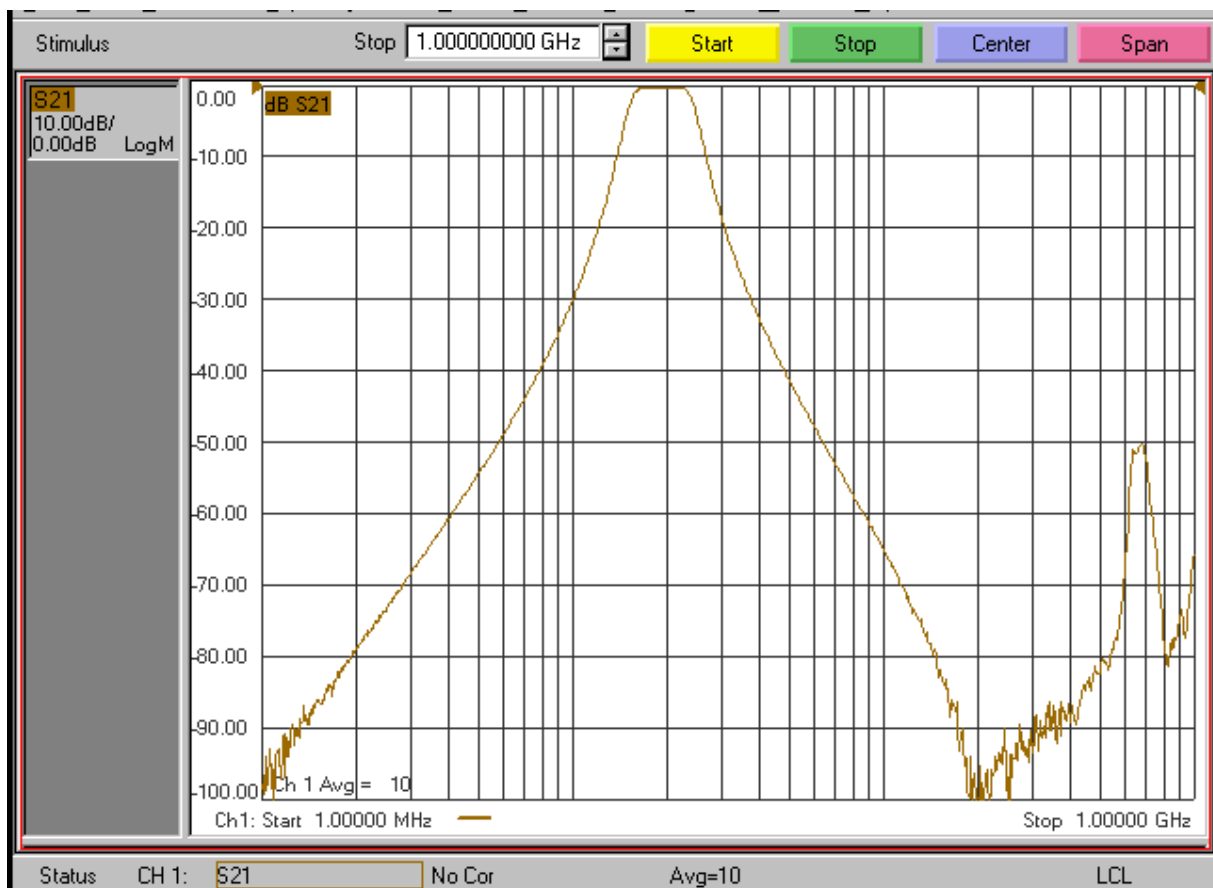
General Description

KR Electronics part number 3361-20-50+ is a 19.95 MHz Bandpass filter. The filter has a nominal 3 dB bandwidth of 10 MHz. Other center frequencies and bandwidths are available. Please consult the factory.

Features

- 19.95 MHz Bandpass Filter
- 3 dB BW: 10 MHz \pm 2 MHz
- 40 dB BW: 41 MHz typical
- 50 Ω Source and Load
- Other frequencies available
- Surface Mount
- SMA also available

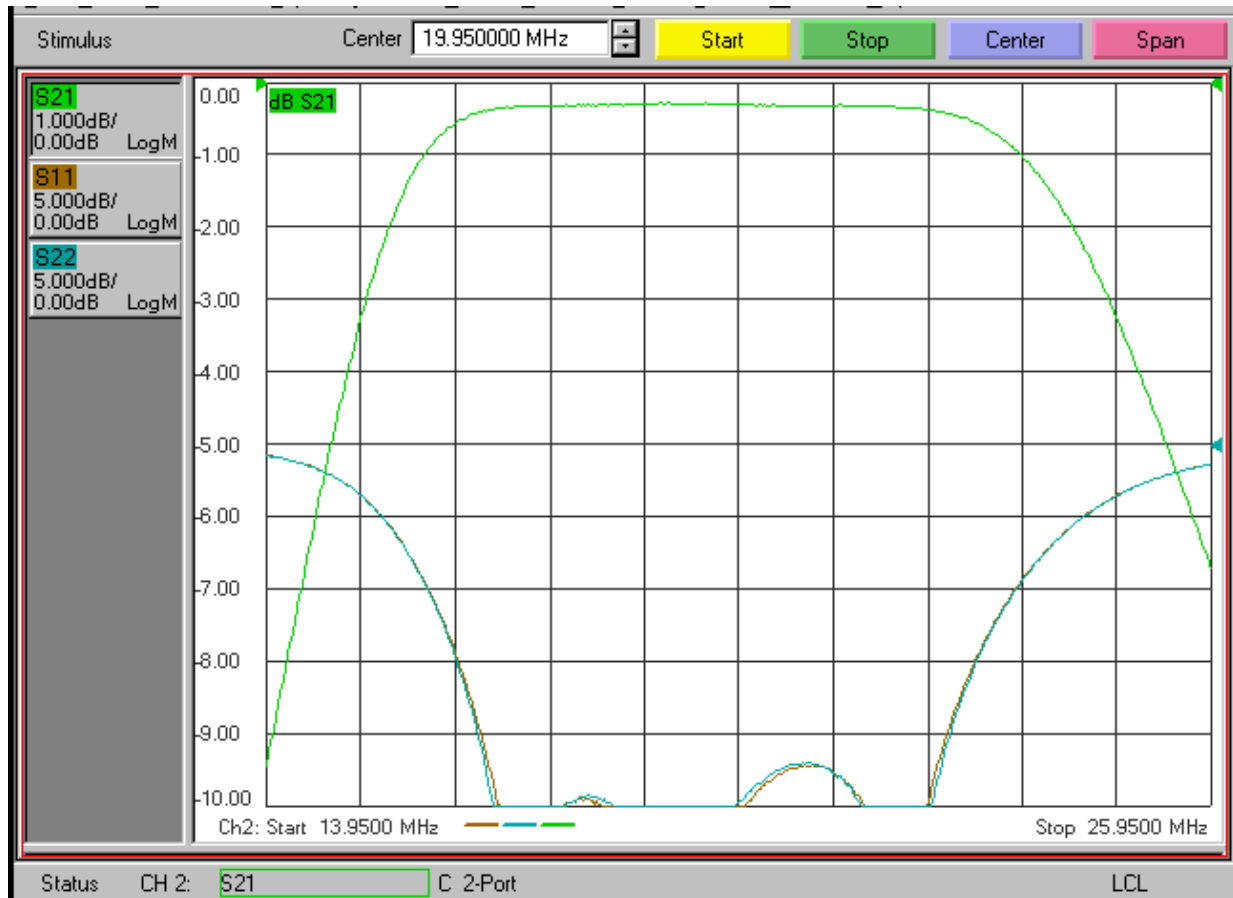
Typical Performance



KR Electronics, Inc.
91 Avenel Street
Avenel, NJ 07001

Web www.krfilters.com
Email sales@krfilters.com
Phone (732) 636-1900
Fax (732) 636-1982

KR Electronics 3361-20-50+

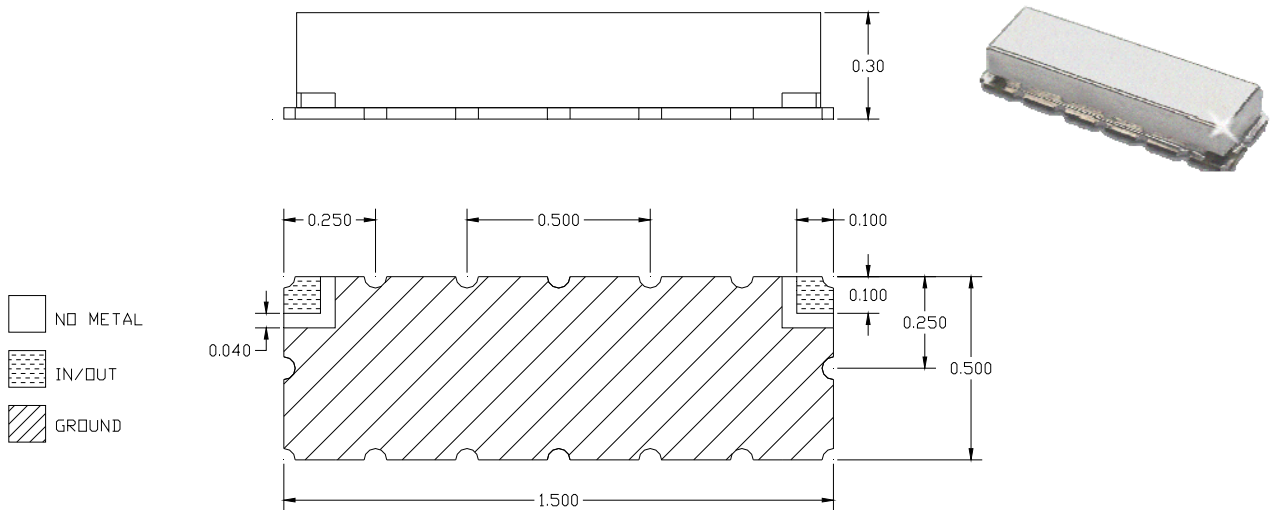


KR Electronics 3361-20-50+

Specifications

Parameter	Specification	Notes
Filter type	Bandpass	
Center Frequency	19.95 MHz	
Insertion Loss at Fc	2 dBa max	0.3 dBa typical
1 dBc Bandwidth	7.9 MHz typical	
3 dBc Bandwidth	10 MHz ±2 MHz	9.6 MHz typical
40 dBc Bandwidth	60 MHz max	41 MHz typical
60 dBc Bandwidth	84 MHz typical	
Source and Load	50 Ω	

Physical Dimensions



Notes:

1. Surface mount package — Metal cover open frame
2. Dimensions in inches
3. Maximum reflow temperature is 230° C for 10 sec maximum.
4. If boards are cleaned after installation, units must be completely dried.
5. Also available in a case with SMA connectors