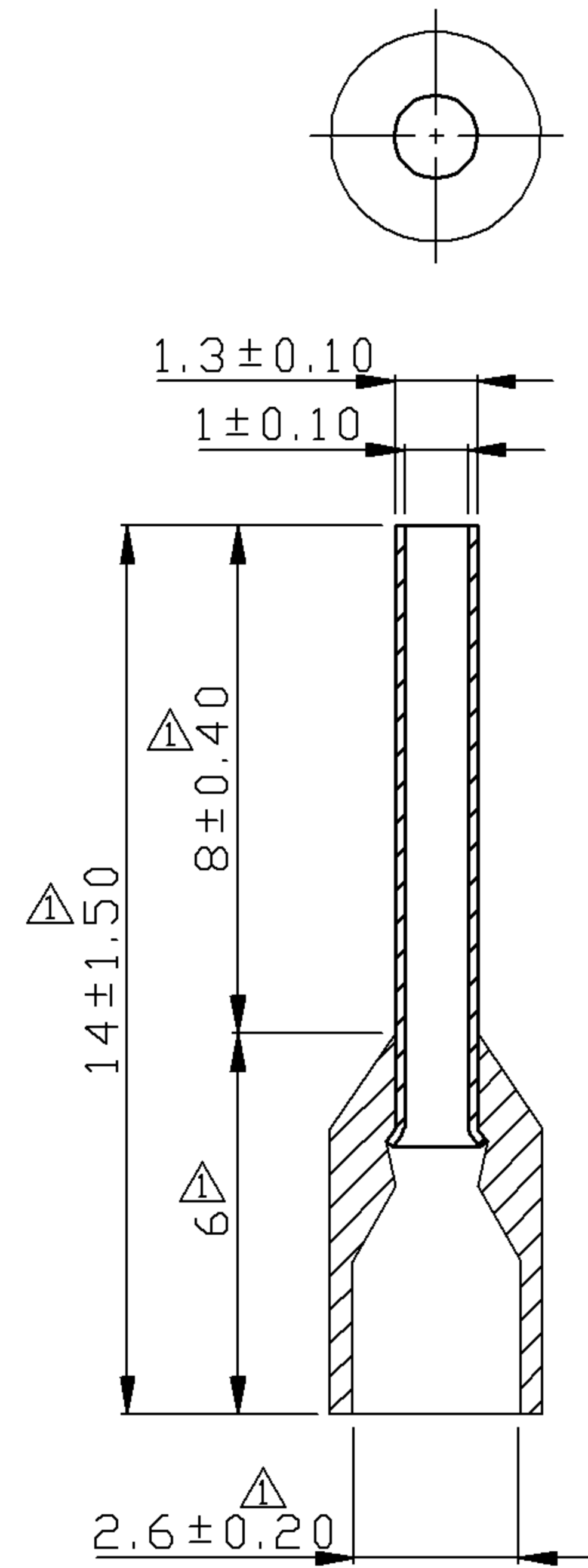


REV	DESCRIPTION	DATE
-----	-------------	------

△ RDK-97163 張馨尹 2008/08/26



NOTE:

1. MAXIMUM ELECTRIC CURRENT :

A.W.G.	22
AMP.	9
2. MAXIMUM ELECTRICAL RATING : 105°C 600 VOLTS MAX.
3. INSULATION MATERIAL : NYLON
4. INSULATION COLOR :
FRENCH COLOR : WHITE
GERMAN COLOR : ORANGE
DIN COLOR : WHITE
5. CONNECTOR MATERIAL : COPPER TUBE.
6. WIRE RANGE : 22 A.W.G.(0.50 mm²)
7. CONNECTOR SURFACE TREATMENT : TIN PLATED

Tolerance Unless Otherwise Specified	
0 >	mm ± 0.50 ANGLE
>	mm ± 0° ° REF ±
>	mm ± ° ° ±
>	mm ± ° ° ±

NAME	NYLON-INSULATED CORD END TERMINALS (E SERIES)			UNIT	
PART NO.	E0508	MATERIAL	-----	APPROVE	
NUMBER	KA-95407-C	SCALE	SHEET	PAGE	CHECKED
DATE	2006/05/10	5/1	1-1	10F1	DRAWN 張馨尹

KST. K.S. TERMINALS INC.