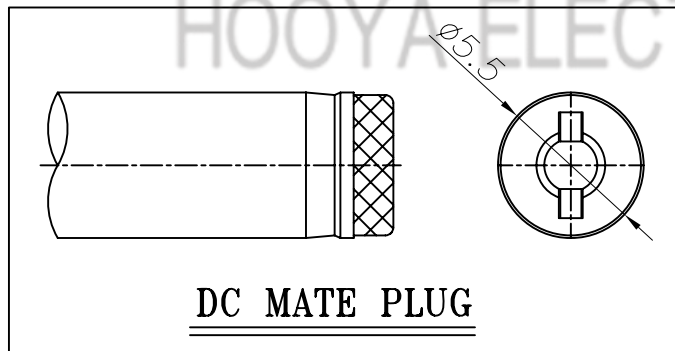
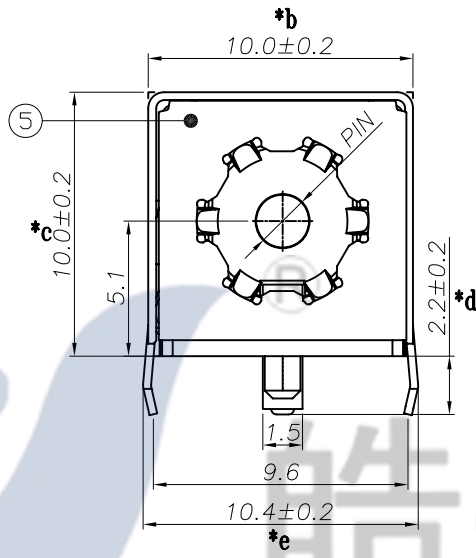
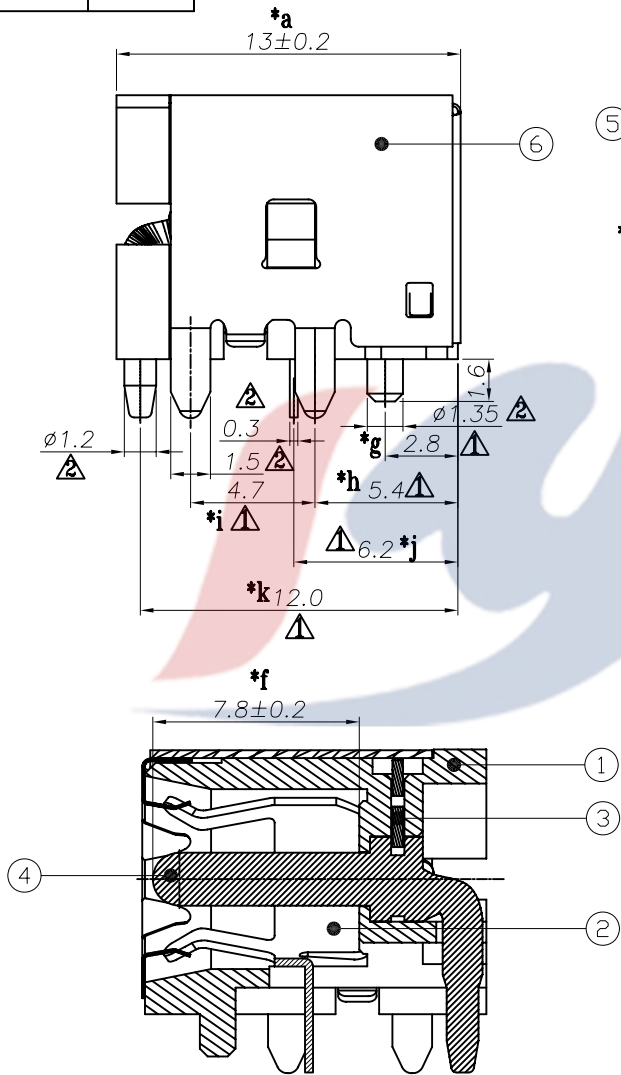
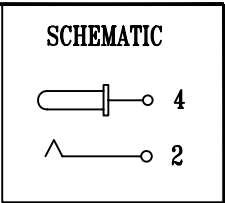
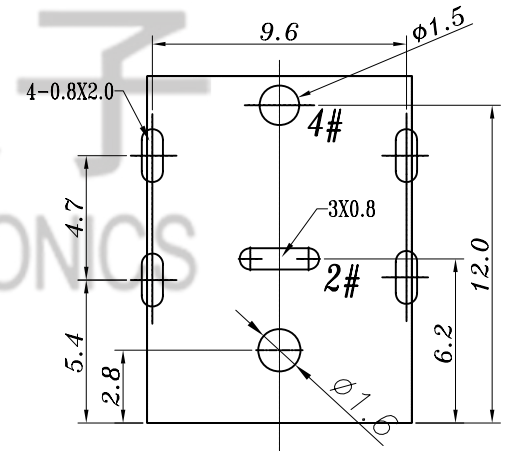


PIN	ø2.0	ø2.5
APPD.		



Specification:

1. Rating : DC 24V 4A.
2. Contact resistance: $\leq 70m\Omega$.
3. Insulation resistance: $\geq 100M\Omega$ (250VDC).
4. Withstanding voltage: 250VAC.
5. Insertion and extraction force: 3N~30N.
6. life test: 5000cycles min.
7. Operation temperature range: $-25^{\circ}C \sim 70^{\circ}C$.



**PCB LAYOUT
(TOP VIEW)**

6	DC528 COAT	SUS	1	Ni-PLATED
5	DC528 COVER	SUS	1	WASH Δ
4	DC528 PIN	BRASS	1	Ni-PLATED
3	DC528 FLAT PIECE	BRASS	1	
2	DC528 2#SPRING PIECE	PHOSPHOR BRONZE	1	Ag-PLATED
1	DC528 CASE	PA9T	1	
NO.	PART NAME	MATERIAL	QTY	FINISHING

TOLERANCE UNLESS SPECIFIED		A2	2020.07.08	Δ	新增尺寸标注	郭远维
UP TO 5mm: ±0.1	ANGULAR	A1	2018.05.21	Δ	新增脚距重点管控, 取消前盖电镀	郭远维
ABOVE 5mm: ±0.2	±1°	A0	2018.04.04		新开模, 首次发行	王发兵
		NO	DATE	REVISIONS		BY APPD
TITLE: DC JACK		UNIT : MM	ROHS COMPLIANT	DWN		
MODEL: DC-528 2.0		SCALE: 1:1		CHK'D		
HAOYU(HONGKONG)LIMITED 皓宇(香港)有限公司				APPD		
				PRO.AGL:		REV :A2