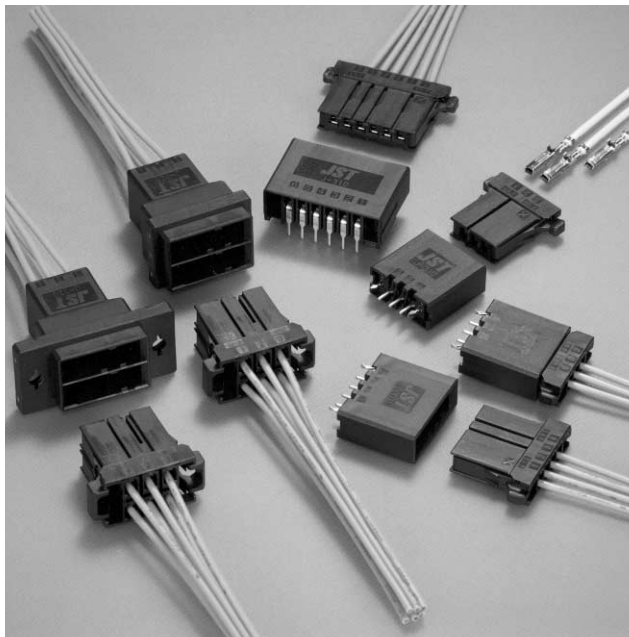
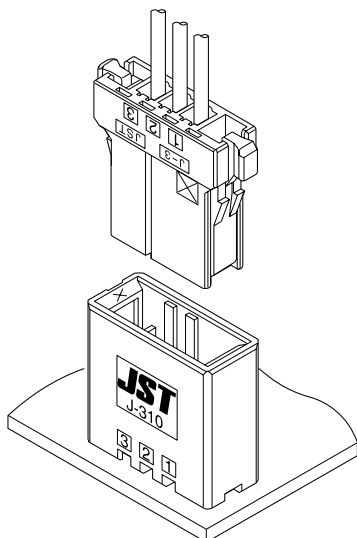


# JFA CONNECTOR J300 SERIES

Disconnectable Crimp style connectors (Wire-to-board/Wire-to-wire)



**Connectors for signal circuits or power supply circuits, applicable to the factory automation, heavy electric machinery, and other industrial equipment in general. In spite of the various kinds of housings available, their contacts are designed to be common. Thus the applicable tooling can be unified.**



## Features

### • Double-spring construction

For superior contact reliability, the receptacle contact has a double-spring construction consisting of a main spring and a contact pressure adjustment spring.

In addition, a spring stopper is incorporated in the connector to facilitate resistance to excessive pressure.

### • Housing lances

Lances are incorporated into the housing design to secure the contacts, therefore keeping contact insertion force low and avoiding contact deformation.

### • Secure locking method

When housings are mated, a clear locking sound can be heard to ensure secure engagement.

### • Recognition mark

Both contacts and application tools have identification marks to prevent incorrect combinations.

## Specifications

- Current rating: 10.5A max. AC, DC (5 circuits/AWG #16)
- Voltage rating: 310 · 340 series [3.81mm(.150")pitch] 250V AC  
320 · 350 series [5.08mm(.200")pitch] 600V AC
- Temperature range: -55°C to +105°C  
(including temperature rise in applying electrical current)
- Contact resistance: Initial value/5m Ω max.  
After environmental testing/10m Ω max.
- Insulation resistance: 1,000M Ω min.
- Withstanding voltage: 310 · 340 series [3.81mm(.150")pitch]1,500V AC/minute  
320 · 350 series [5.08mm(.200")pitch]2,200V AC/minute
- Applicable wire: AWG #28 to #14
- Applicable PC board thickness: 1.6 to 2.4mm(.063" to .094")
- \* Contact JST if Lead-Free product is required.
- \* Temperature Range:  
The aforementioned temperature range of this connector is described in JST Standard Product Specification. Maximum temperature registered in UL is 105°C.
- \* Refer to "General Instruction and Notice when using Terminals and Connectors" at the end of this catalog.
- \* Contact JST for details.

## Standards

Ⓜ Recognized E60389

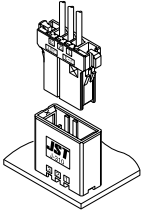
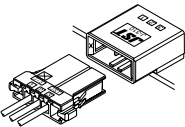
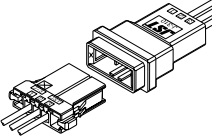
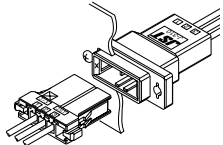
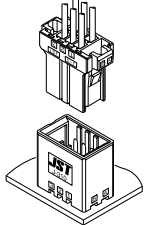
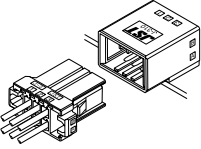
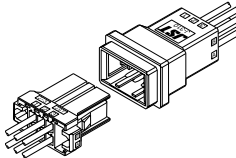
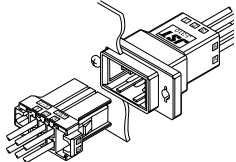
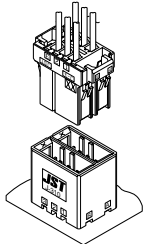
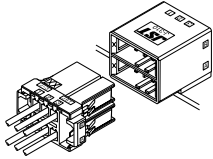
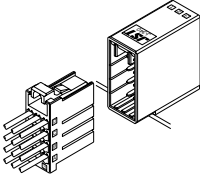
Ⓢ Certified LR20812

△ J-50015641

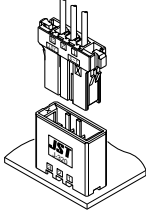
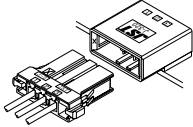
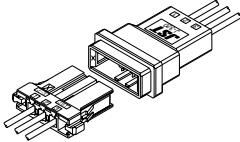
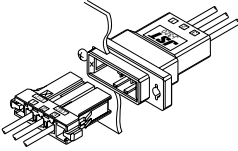
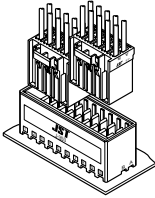
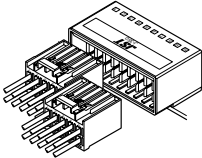
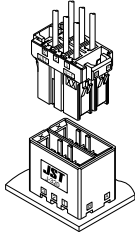
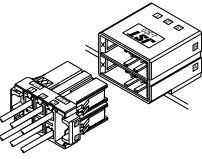
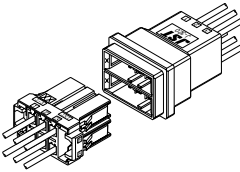
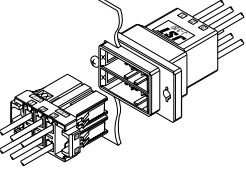
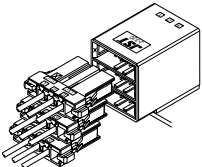
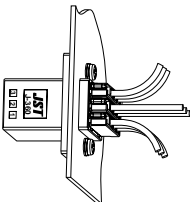
For J310S, J310D, J310M, J320S and J320M series.

# JFA CONNECTOR/J300 SERIES

## List of J300 series products

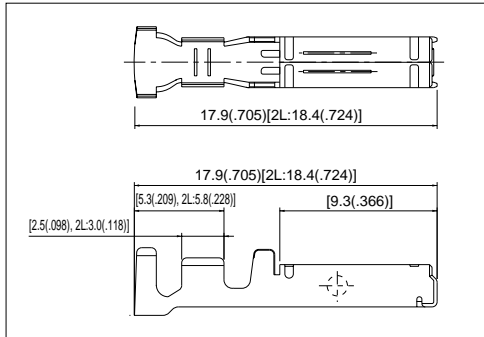
Type	3.81mm(.150") pitch / Voltage rating 250V AC			
	Wire to Board		Wire to Wire	
	Top entry type	Side entry type	Free hanging type	Panel mounting type
J310S Single-row type				
Circuits	3, 4, 5, 6, 8, 10	3, 4, 5, 6, 8, 10	3, 5, 8, 10	3, 5, 8, 10
J310D Double-row type [line pitch 5.08mm(.200")]				
Circuits	6, 8, 10, 12, 16, 20	6, 8, 10, 12, 16, 20	6, 8, 10, 12, 16, 20	6, 8, 10, 12, 16, 20
J310M Double-row module type [line pitch 7.62mm(.300")]				
Circuits	6	6		
J340F Four-row type [line pitch 5.08mm(.200")]				
Circuits		12, 20		
Circuits				

# JFA CONNECTOR/J300 SERIES

5.08mm(.200") pitch / Voltage rating 600V AC				Type
Wire to Board		Wire to Wire		
Top entry type	Side entry type	Free hanging type	Panel mounting type	
				J320S Single-row type
2, 3, 4, 5, 6	2, 3, 4, 5, 6	2, 3, 4	2, 3, 4	Circuits
				J350D Double-row type [line pitch 5.08mm(.200")]
12, 20	12, 20			Circuits
				J320M Double-row module type [line pitch 7.62mm(.300")]
6,10,12	6,10,12	6,12	6,12	Circuits
				J320T Triple-row module type [line pitch 7.62mm(.300")]
	9			Circuits
				J360T Triple-row common type [line pitch 5.08mm(.200")]
			9,18	Circuits

# JFA CONNECTOR/J300 SERIES

## Receptacle contact



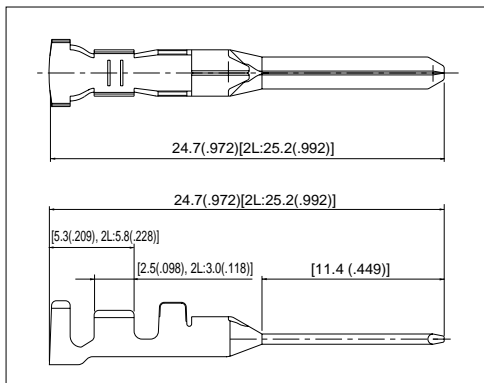
Model No.		Applicable wire			Insulation O.D. mm (in.)	Q'ty	
Strip form	Loose piece	Nominal	mm <sup>2</sup>	AWG#		reel	box(Loose piece)
SF3F-002(*)-P2.0	BF3F-002(*)-P2.0	S	0.08 to 0.20	28 to 24	0.8 to 1.4 (.031 to .055)	3,700	1,000
SF3F-01(*)-P2.0	BF3F-01(*)-P2.0	M	0.20 to 0.50	24 to 20	1.2 to 2.6 (.047 to .102)	3,700	1,000
SF3F-41(*)-P2.0	LF3F-41(*)-P2.0	L	0.50 to 1.25	20 to 16	1.8 to 2.8 (.071 to .110)	Note2) 3,300	1,000
*SF3F-71(*)-P2.0	*BF3F-71(*)-P2.0	2L	1.25 to 2.0	16 to 14	2.4 to 3.4 (.094 to .134)	Note2) 3,200	1,000

### Material and Finish

Copper alloy (superior conductivity), nickel-undercoated, selective gold-plated  
Tin-plated

- Note: 1. Finish (\*): GF...Nickel-undercoated, selective gold-plated  
T...Tin-plated  
2. Contact JST for containg quantity.  
3. \*Marked products are not CSA/TÜV approved.

## Tab contact



Model No.		Applicable wire			Insulation O.D. mm (in.)	Q'ty	
Strip form	Loose piece	Nominal	mm <sup>2</sup>	AWG#		reel	box(Loose piece)
Under developing	Under developing	S	0.08 to 0.20	28 to 24	0.8 to 1.4 (.031 to .055)	—	—
SF3M-01(*)-M2.0N	BF3M-01(*)-M2.0N	M	0.20 to 0.50	24 to 20	1.2 to 2.6 (.047 to .102)	3,500	1,000
SF3M-41(*)-M2.0N	LF3M-41(*)-M2.0N	L	0.50 to 1.25	20 to 16	1.8 to 2.8 (.071 to .110)	3,300	1,000
*SF3M-71(*)-M2.0N	*BF3M-71(*)-M2.0N	2L	1.25 to 2.0	16 to 14	2.4 to 3.4 (.094 to .134)	3,200	1,000

### Material and Finish

Copper alloy (superior conductivity), nickel-undercoated, selective gold-plated  
Tin-plated

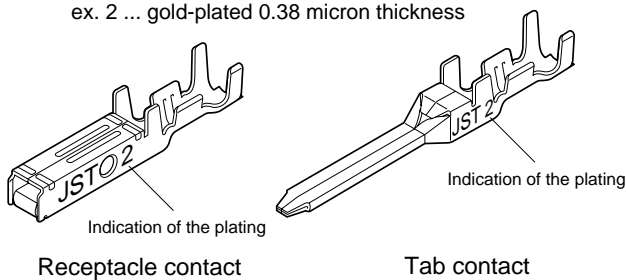
- Note: 1. Finish (\*): GF...Nickel-undercoated, selective gold-plated  
T...Tin-plated  
2. \*Marked products are not CSA/TÜV approved.

## Recognition mark

### Plating of the contact

Each contact has a marking on its side so that the type or thickness of the plating is recognized.

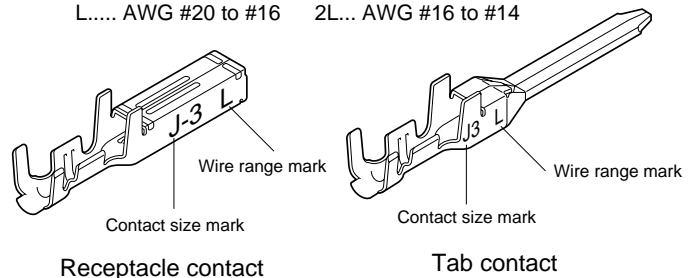
ex. 2 ... gold-plated 0.38 micron thickness



### Common marking on the contact and its application tools

In order to avoid incorrect combination of the hand crimp tools and the contacts, the contact size mark (J-3) and wire range mark (S, M, L, 2L) are shown on both the tools and the contacts.

J-3 S..... AWG #28 to #24    M.... AWG #24 to #20  
L..... AWG #20 to #16    2L... AWG #16 to #14

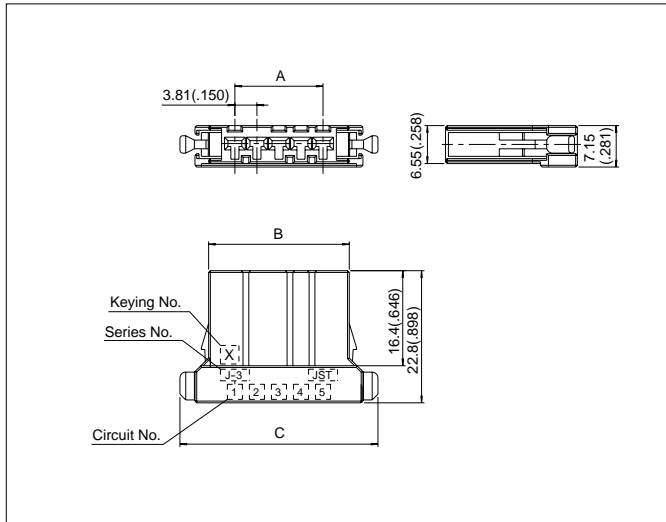


## Applicator for the semi-automatic press AP-K2N

Contact	Crimp applicator MKS-L		Compact crimp applicator MKS-LS		Strip-crimp applicator MKS-SC
	with safety cover	without safety cover	with safety cover	without safety cover	with safety cover
SF3F-002GF-P2.0	APLMK SF3F/M002-20	APLNC SF3F/M002-20	—	—	—
SF3F-01GF-P2.0	APLMK SF3F/M01-20	APLNC SF3F/M01-20	—	—	—
SF3M-01GF-M2.0N	APLMK SF3F/M01-20	APLNC SF3F/M01-20	—	—	—
SF3F-41GF-P2.0	APLMK SF3F/M41-20	APLNC SF3F/M41-20	—	—	—
SF3M-41GF-M2.0N	APLMK SF3F/M41-20	APLNC SF3F/M41-20	—	—	—
SF3F-71GF-P2.0	APLMK SF3F/M71-20	APLNC SF3F/M71-20	—	—	—
SF3M-71GF-M2.0N	APLMK SF3F/M71-20	APLNC SF3F/M71-20	—	—	—

# JFA CONNECTOR/J310S

## Receptacle housing

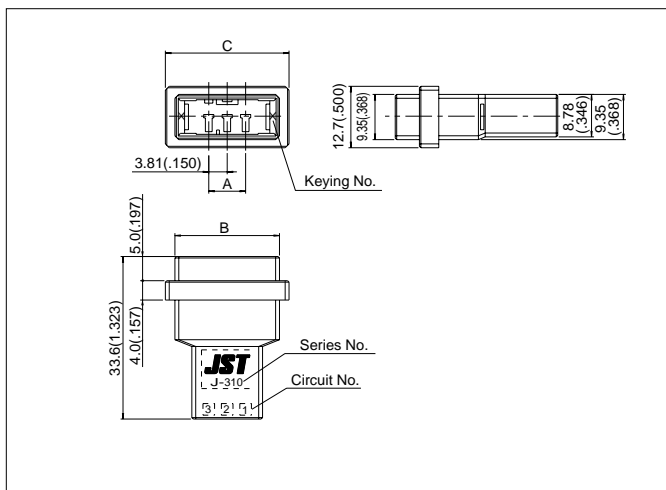


Circuits	Keying	Model No.	Dimensions mm(in.)			Q'ty / bag
			A	B	C	
3	X	F31FSS-03V-KX	7.62( .300)	16.70( .657)	26.62(1.048)	200
	Y	F31FSS-03V-KY	7.62( .300)	16.70( .657)	26.62(1.048)	200
4	X	F31FSS-04V-KX	11.43( .450)	20.51( .807)	30.43(1.198)	200
	Y	F31FSS-04V-KY	11.43( .450)	20.51( .807)	30.43(1.198)	200
5	X	F31FSS-05V-KX	15.24( .600)	24.32( .957)	34.24(1.348)	200
	Y	F31FSS-05V-KY	15.24( .600)	24.32( .957)	34.24(1.348)	200
6	X	F31FSS-06V-KX	19.05( .750)	28.13(1.107)	38.05(1.498)	200
	Y	F31FSS-06V-KY	19.05( .750)	28.13(1.107)	38.05(1.498)	200
8	X	F31FSS-08V-KX	26.67(1.050)	35.75(1.407)	45.67(1.798)	100
	Y	F31FSS-08V-KY	26.67(1.050)	35.75(1.407)	45.67(1.798)	100
10	X	F31FSS-10V-KX	34.29(1.350)	43.37(1.707)	53.29(2.098)	100
	Y	F31FSS-10V-KY	34.29(1.350)	43.37(1.707)	53.29(2.098)	100

### Material

Glass-filled PBT, UL94V-0, black

## Tab housing (Free hanging type)

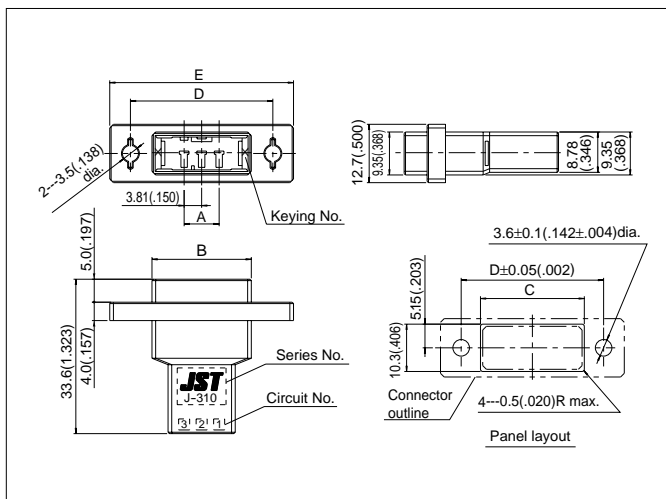


Circuits	Keying	Model No.	Dimensions mm(in.)			Q'ty / bag
			A	B	C	
3	X	F31MSF-03V-KX	7.62( .300)	21.62( .851)	25.57(1.007)	200
	Y	F31MSF-03V-KY	7.62( .300)	21.62( .851)	25.57(1.007)	200
5	X	F31MSF-05V-KX	15.24( .600)	29.24(1.151)	33.19(1.307)	200
	Y	F31MSF-05V-KY	15.24( .600)	29.24(1.151)	33.19(1.307)	200
8	X	F31MSF-08V-KX	26.67(1.050)	40.67(1.601)	44.62(1.757)	100
	Y	F31MSF-08V-KY	26.67(1.050)	40.67(1.601)	44.62(1.757)	100
10	X	F31MSF-10V-KX	34.29(1.350)	48.29(1.901)	52.24(2.057)	100
	Y	F31MSF-10V-KY	34.29(1.350)	48.29(1.901)	52.24(2.057)	100

### Material

Glass-filled PBT, UL94V-0, black

## Tab housing (Panel mounting type)



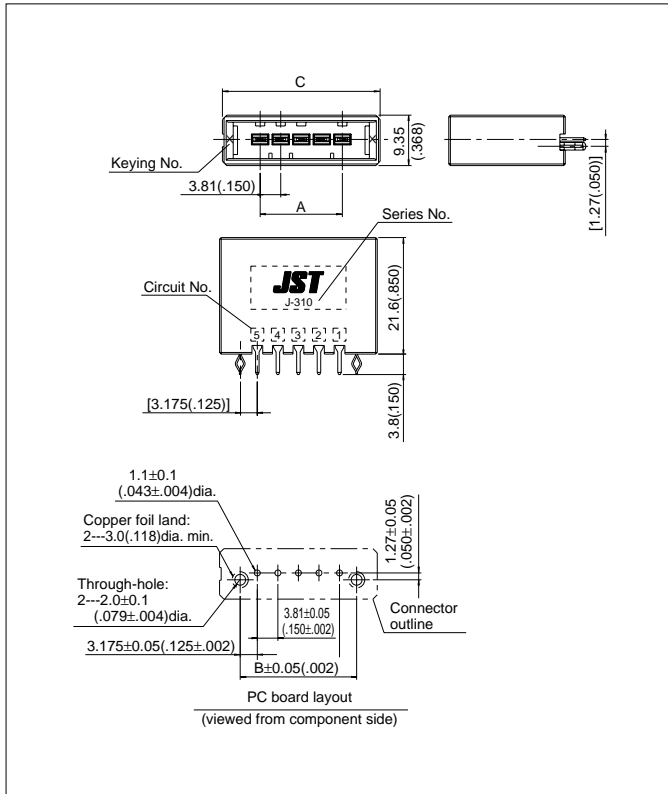
Circuits	Keying	Model No.	Dimensions mm(in.)					Q'ty / bag
			A	B	C	D	E	
3	X	F31MSP-03V-KX	7.62( .300)	21.62( .851)	22.60( .890)	31.00(1.220)	40.00(1.575)	200
	Y	F31MSP-03V-KY	7.62( .300)	21.62( .851)	22.60( .890)	31.00(1.220)	40.00(1.575)	200
5	X	F31MSP-05V-KX	15.24( .600)	29.24(1.151)	30.20(1.189)	38.00(1.496)	47.00(1.850)	200
	Y	F31MSP-05V-KY	15.24( .600)	29.24(1.151)	30.20(1.189)	38.00(1.496)	47.00(1.850)	200
8	X	F31MSP-08V-KX	26.67(1.050)	40.67(1.601)	41.60(1.638)	50.00(1.969)	59.00(2.323)	100
	Y	F31MSP-08V-KY	26.67(1.050)	40.67(1.601)	41.60(1.638)	50.00(1.969)	59.00(2.323)	100
10	X	F31MSP-10V-KX	34.29(1.350)	48.29(1.901)	49.20(1.937)	58.00(2.283)	67.00(2.638)	100
	Y	F31MSP-10V-KY	34.29(1.350)	48.29(1.901)	49.20(1.937)	58.00(2.283)	67.00(2.638)	100

### Material

Glass-filled PBT, UL94V-0, black

# JFA CONNECTOR/J310S

## Header (Top entry type)



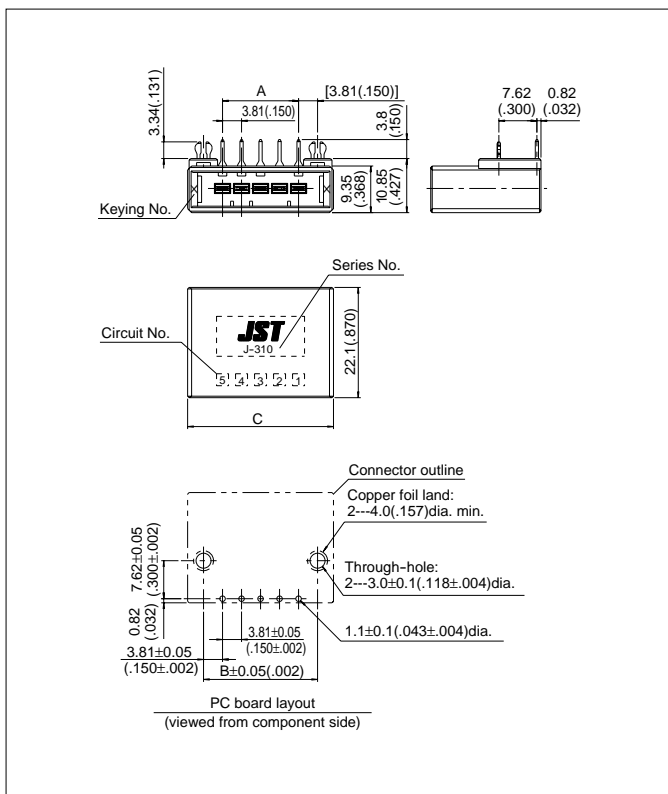
Circuits	Keying	Model No.	Dimensions mm(in.)			Q'ty / box
			A	B	C	
3	X	<b>B03B-F31SK-GGXR</b>	7.62(.300)	13.97(.550)	21.62(.851)	220
	Y	<b>B03B-F31SK-GGYR</b>	7.62(.300)	13.97(.550)	21.62(.851)	220
4	X	<b>B04B-F31SK-GGXR</b>	11.43(.450)	17.78(.700)	25.43(1.001)	180
	Y	<b>B04B-F31SK-GGYR</b>	11.43(.450)	17.78(.700)	25.43(1.001)	180
5	X	<b>B05B-F31SK-GGXR</b>	15.24(.600)	21.59(.850)	29.24(1.151)	160
	Y	<b>B05B-F31SK-GGYR</b>	15.24(.600)	21.59(.850)	29.24(1.151)	160
6	X	<b>B06B-F31SK-GGXR</b>	19.05(.750)	25.40(1.000)	33.05(1.301)	140
	Y	<b>B06B-F31SK-GGYR</b>	19.05(.750)	25.40(1.000)	33.05(1.301)	140
8	X	<b>B08B-F31SK-GGXR</b>	26.67(1.050)	33.02(1.300)	40.67(1.601)	120
	Y	<b>B08B-F31SK-GGYR</b>	26.67(1.050)	33.02(1.300)	40.67(1.601)	120
10	X	<b>B10B-F31SK-GGXR</b>	34.29(1.350)	40.64(1.600)	48.29(1.901)	100
	Y	<b>B10B-F31SK-GGYR</b>	34.29(1.350)	40.64(1.600)	48.29(1.901)	100

### Material and Finish

Tab contact: Copper-alloy, nickel-undercoated, selective gold-plated  
Housing: Glass-filled PBT, UL94V-0, black  
Reinforcing metal fixture: Copper-alloy, copper-undercoated, tin/lead-plated

Note: Contact JST for the headers supplied in magazine stick.

## Header (Side entry type)



Circuits	Keying	Model No.	Dimensions mm(in.)			Q'ty / box
			A	B	C	
3	X	<b>S03B-F31SK-GGXR</b>	7.62(.300)	15.24(.600)	21.62(.851)	165
	Y	<b>S03B-F31SK-GGYR</b>	7.62(.300)	15.24(.600)	21.62(.851)	165
4	X	<b>S04B-F31SK-GGXR</b>	11.43(.450)	19.05(.750)	25.43(1.001)	135
	Y	<b>S04B-F31SK-GGYR</b>	11.43(.450)	19.05(.750)	25.43(1.001)	135
5	X	<b>S05B-F31SK-GGXR</b>	15.24(.600)	22.86(.900)	29.24(1.151)	120
	Y	<b>S05B-F31SK-GGYR</b>	15.24(.600)	22.86(.900)	29.24(1.151)	120
6	X	<b>S06B-F31SK-GGXR</b>	19.05(.750)	26.67(1.050)	33.05(1.301)	105
	Y	<b>S06B-F31SK-GGYR</b>	19.05(.750)	26.67(1.050)	33.05(1.301)	105
8	X	<b>S08B-F31SK-GGXR</b>	26.67(1.050)	34.29(1.350)	40.67(1.601)	90
	Y	<b>S08B-F31SK-GGYR</b>	26.67(1.050)	34.29(1.350)	40.67(1.601)	90
10	X	<b>S10B-F31SK-GGXR</b>	34.29(1.350)	41.91(1.650)	48.29(1.901)	75
	Y	<b>S10B-F31SK-GGYR</b>	34.29(1.350)	41.91(1.650)	48.29(1.901)	75

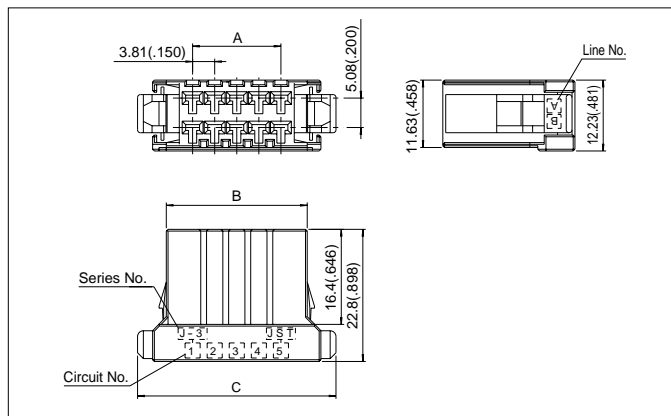
### Material and Finish

Tab contact: Copper-alloy, nickel-undercoated, selective gold-plated, selective tin/lead-plated  
Housing: Glass-filled PBT, UL94V-0, black  
Reinforcing metal fixture: Copper-alloy, copper-undercoated, tin/lead-plated

Note: Contact JST for the headers supplied in magazine stick.

# JFA CONNECTOR/J310D

## Receptacle housing

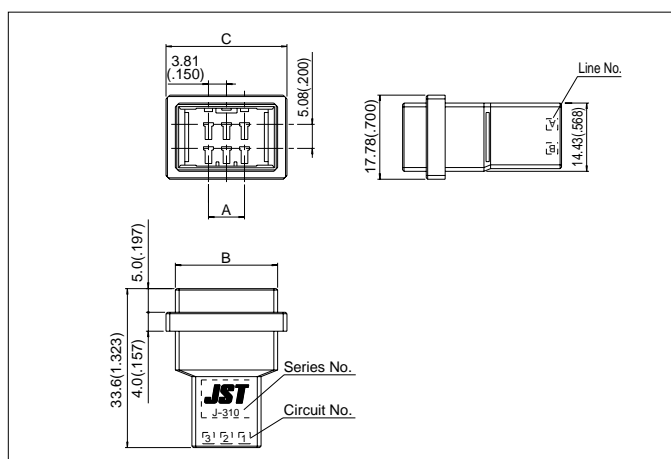


Circuits	Keying	Model No.	Dimensions mm(in.)			Q'ty / bag
			A	B	C	
6	-	F31FDS-06V-K	7.62( .300)	16.70( .657)	26.62(1.048)	200
8	-	F31FDS-08V-K	11.43( .450)	20.51( .807)	30.43(1.198)	100
10	-	F31FDS-10V-K	15.24( .600)	24.32( .957)	34.24(1.348)	100
12	-	F31FDS-12V-K	19.05( .750)	28.13(1.107)	38.05(1.498)	100
16	-	F31FDS-16V-K	26.67(1.050)	35.75(1.407)	45.67(1.798)	100
20	-	F31FDS-20V-K	34.29(1.350)	43.37(1.707)	53.29(2.098)	100

### Material

Glass-filled PBT, UL94V-0, black

## Tab housing (Free hanging type)

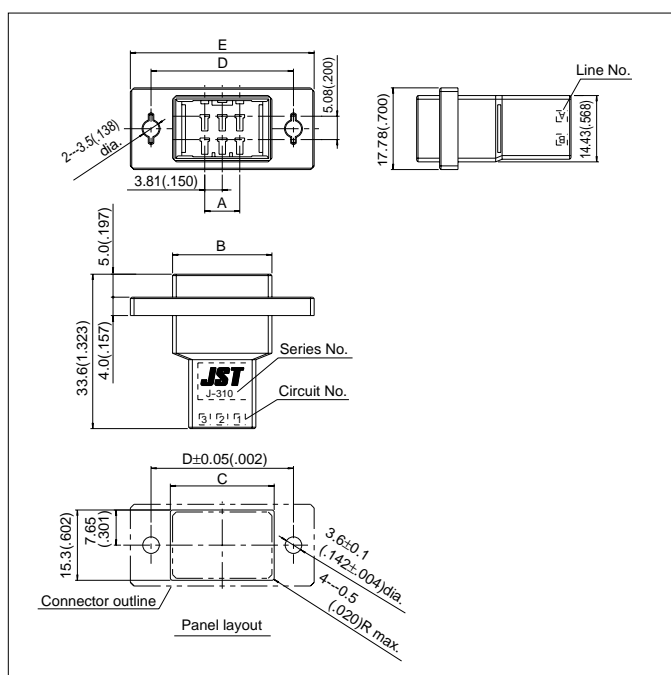


Circuits	Keying	Model No.	Dimensions mm(in.)			Q'ty / bag
			A	B	C	
6	-	F31MDF-06V-K	7.62( .300)	21.62( .851)	25.57(1.007)	200
8	-	F31MDF-08V-K	11.43( .450)	25.43(1.001)	29.38(1.157)	100
10	-	F31MDF-10V-K	15.24( .600)	29.24(1.151)	33.19(1.307)	100
12	-	F31MDF-12V-K	19.05( .750)	33.05(1.301)	37.00(1.457)	100
16	-	F31MDF-16V-K	26.67(1.050)	40.67(1.601)	44.62(1.757)	100
20	-	F31MDF-20V-K	34.29(1.350)	48.29(1.901)	52.24(2.057)	100

### Material

Glass-filled PBT, UL94V-0, black

## Tab housing (Panel mounting type)



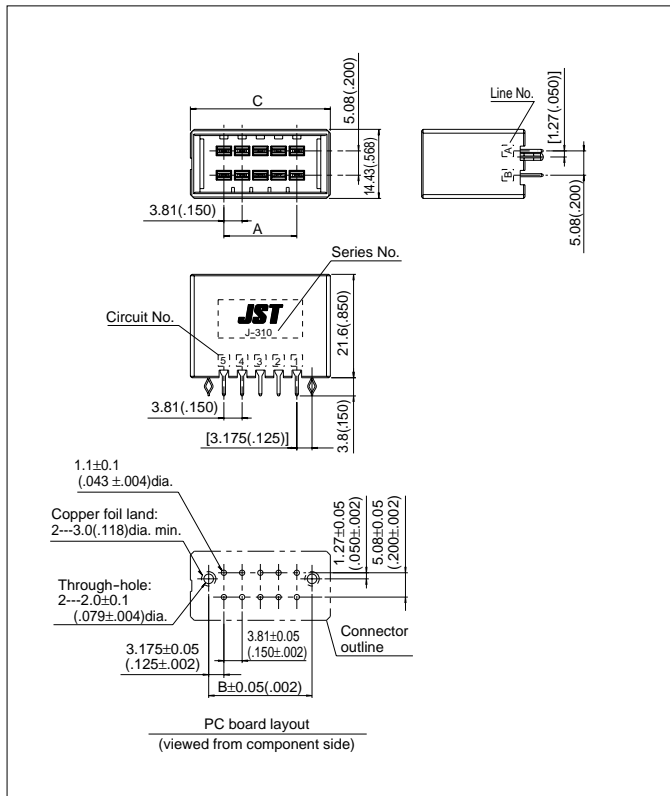
Circuits	Keying	Model No.	Dimensions mm(in.)					Q'ty / bag
			A	B	C	D	E	
6	-	F31MDP-06V-K	7.62( .300)	21.62( .851)	22.60( .890)	31.00(1.220)	40.00(1.575)	200
8	-	F31MDP-08V-K	11.43( .450)	25.43(1.001)	26.40(1.039)	34.50(1.358)	43.50(1.713)	100
10	-	F31MDP-10V-K	15.24( .600)	29.24(1.151)	30.20(1.189)	38.00(1.496)	47.00(1.850)	100
12	-	F31MDP-12V-K	19.05( .750)	33.05(1.301)	34.00(1.339)	42.00(1.654)	51.00(2.008)	100
16	-	F31MDP-16V-K	26.67(1.050)	40.67(1.601)	41.60(1.638)	50.00(1.969)	59.00(2.323)	100
20	-	F31MDP-20V-K	34.29(1.350)	48.29(1.901)	49.20(1.937)	58.00(2.283)	67.00(2.638)	100

### Material

Glass-filled PBT, UL94V-0, black

# JFA CONNECTOR/J310D

## Header (Top entry type)



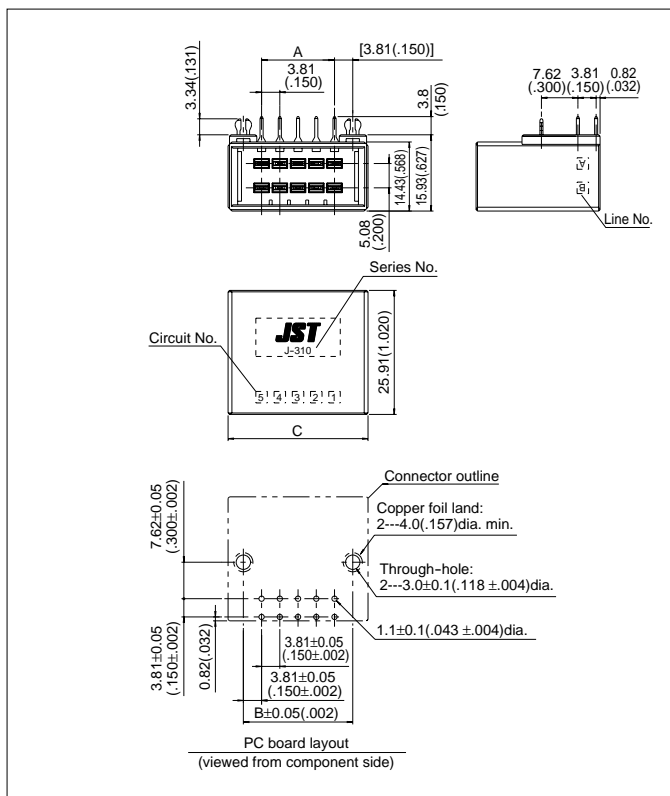
Circuits	Keying	Model No.	Dimensions mm(in.)			Q'ty / box
			A	B	C	
6	-	<b>B06B-F31DK-GGR</b>	7.62( .300)	13.97( .550)	21.62( .851)	132
8	-	<b>B08B-F31DK-GGR</b>	11.43( .450)	17.78( .700)	25.43(1.001)	108
10	-	<b>B10B-F31DK-GGR</b>	15.24( .600)	21.59( .850)	29.24(1.151)	96
12	-	<b>B12B-F31DK-GGR</b>	19.05( .750)	25.40(1.000)	33.05(1.301)	84
16	-	<b>B16B-F31DK-GGR</b>	26.67(1.050)	33.02(1.300)	40.67(1.601)	72
20	-	<b>B20B-F31DK-GGR</b>	34.29(1.350)	40.64(1.600)	48.29(1.901)	60

### Material and Finish

Tab contact: Copper-alloy, nickel-undercoated, selective gold-plated, selective tin/lead-plated  
Housing: Glass-filled PBT, UL94V-0, black  
Reinforcing metal fixture: Copper-alloy, copper-undercoated, tin/lead-plated

Note: Contact JST for the headers supplied in magazine stick.

## Header (Side entry type)



Circuits	Keying	Model No.	Dimensions mm(in.)			Q'ty / box
			A	B	C	
6	-	<b>S06B-F31DK-GGR</b>	7.62( .300)	15.24( .600)	21.62( .851)	88
8	-	<b>S08B-F31DK-GGR</b>	11.43( .450)	19.05( .750)	25.43(1.001)	72
10	-	<b>S10B-F31DK-GGR</b>	15.24( .600)	22.86( .900)	29.24(1.151)	64
12	-	<b>S12B-F31DK-GGR</b>	19.05( .750)	26.67(1.050)	33.05(1.301)	56
16	-	<b>S16B-F31DK-GGR</b>	26.67(1.050)	34.29(1.350)	40.67(1.601)	48
20	-	<b>S20B-F31DK-GGR</b>	34.29(1.350)	41.91(1.650)	48.29(1.901)	40

### Material and Finish

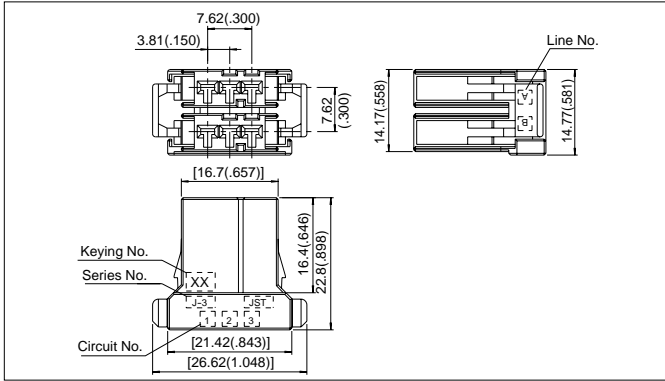
Tab contact: Copper-alloy, nickel-undercoated, selective gold-plated, selective tin/lead-plated  
Housing: Glass-filled PBT, UL94V-0, black  
Reinforcing metal fixture: Copper-alloy, copper-undercoated, tin/lead-plated

Note: Contact JST for the headers supplied in magazine stick.



# JFA CONNECTOR/J310M

## Receptacle housing

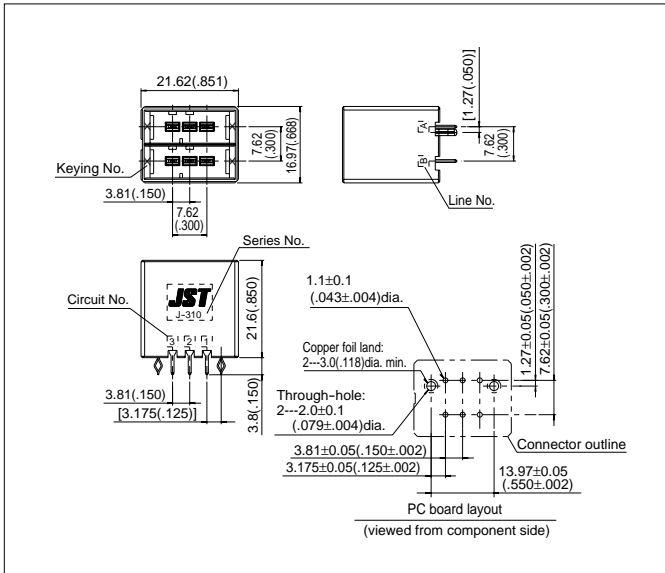


Circuits	Keying	Model No.	Q'ty / bag
6	XX	<b>F31FMS-06V-KXX</b>	100
	YY	<b>F31FMS-06V-KYY</b>	100
	XY	<b>F31FMS-06V-KXY</b>	100

### Material

Glass-filled PBT, UL94V-0, black

## Header (Top entry type)



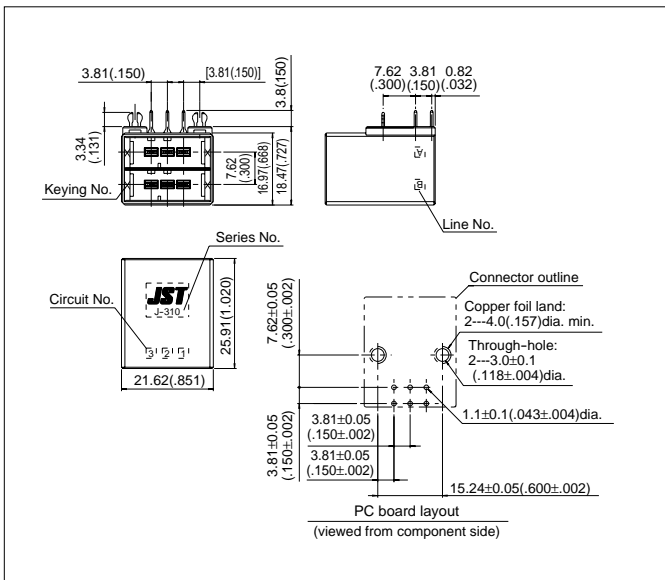
Circuits	Keying	Model No.	Q'ty / box
6	XX	<b>B06B-F31MK-GGXXR</b>	132
	YY	<b>B06B-F31MK-GGYR</b>	132
	XY	<b>B06B-F31MK-GGXYR</b>	132

### Material and Finish

Tab contact: Copper-alloy, nickel-undercoated, selective gold-plated, selective tin/lead-plated  
Housing: Glass-filled PBT, UL94V-0, black  
Reinforcing metal fixture: Copper-alloy, copper-undercoated, tin/lead-plated

Note: Contact JST for the headers supplied in magazine stick.

## Header (Side entry type)



Circuits	Keying	Model No.	Q'ty / box
6	XX	<b>S06B-F31MK-GGXXR</b>	88
	YY	<b>S06B-F31MK-GGYR</b>	88
	XY	<b>S06B-F31MK-GGXYR</b>	88

### Material and Finish

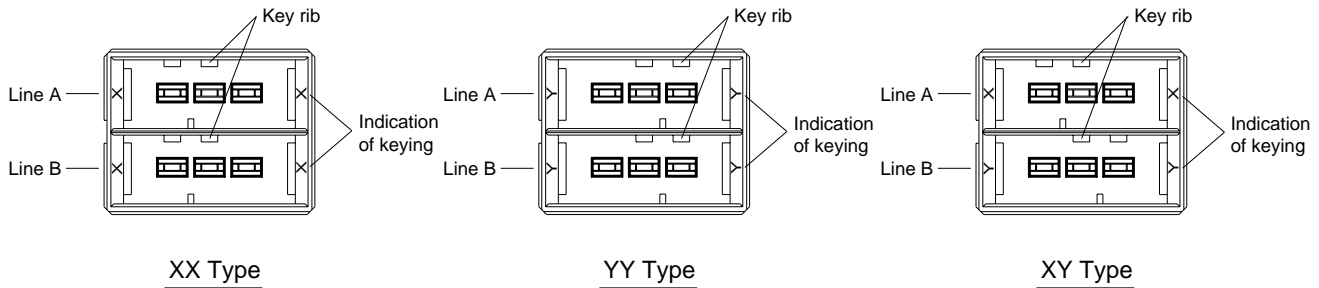
Tab contact: Copper-alloy, nickel-undercoated, selective gold-plated, selective tin/lead-plated  
Housing: Glass-filled PBT, UL94V-0, black  
Reinforcing metal fixture: Copper-alloy, copper-undercoated, tin/lead-plated

Note: Contact JST for the headers supplied in magazine stick.

# JFA CONNECTOR/J310M

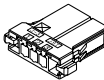
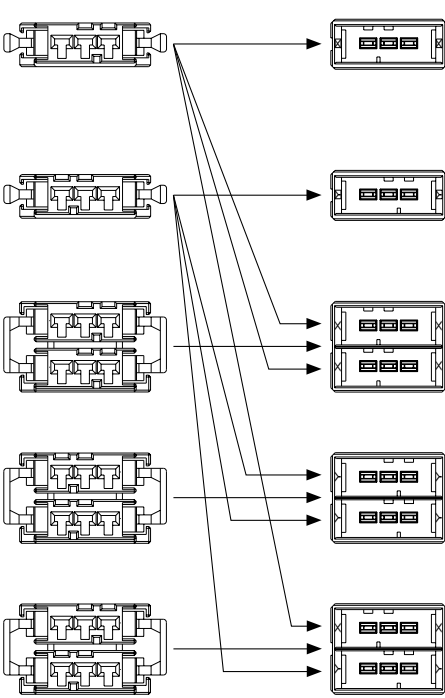


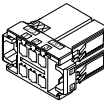
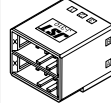
## Keying

J310M series have mis-insertion preventive keying.  
Available in 3 types – XX type, YY type and XY type.  
(Headers viewed from the mating side are shown below.)



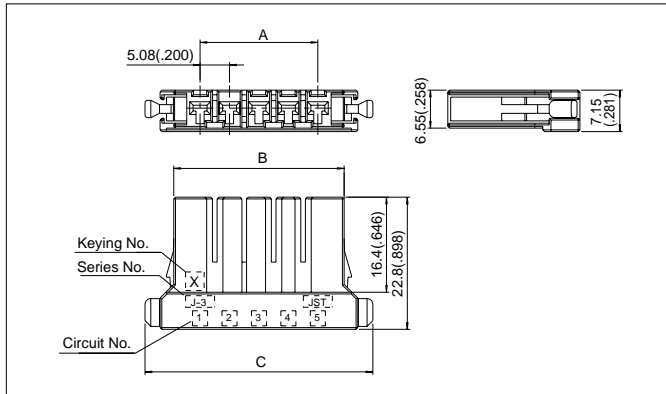
## List of combinations

With the combination of the J310M headers and the J310M/J310S receptacle housings, the following modular combination are possible.

Receptacle housing		Header				
		Top entry type		Side entry type		
Single-row 3-circuits (J310S)  	X Type F31FSS-03V-KX		Single-row 3-circuits (J310S)  	X Type B03B-F31SK-GGX	Single-row 3-circuits (J310S)  	X Type S03B-F31SK-GGX
	Y Type F31FSS-03V-KY		Y Type B03B-F31SK-GGY	Y Type S03B-F31SK-GGY		
Double-row 6-circuits (J310M)  	XX Type F31FMS-06V-KXX		XX Type B06B-F31MK-GGXX	Double-row 6-circuits (J310M)  	XX Type S06B-F31MK-GGXX	
	YY Type F31FMS-06V-KYY		YY Type B06B-F31MK-GGY		YY Type S06B-F31MK-GGY	
	XY Type F31FMS-06V-KXY		XY Type B06B-F31MK-GGY		XY Type S06B-F31MK-GGY	

# JFA CONNECTOR/J320S

## Receptacle housing

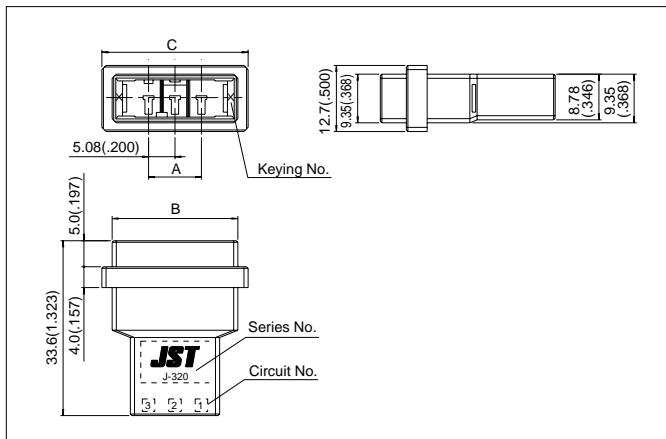


Circuits	Keying	Model No.	Dimensions mm(in.)			Q'ty / bag
			A	B	C	
2	X	F32FSS-02V-KX	5.08(.200)	14.16(.557)	24.08(.948)	200
	Y	F32FSS-02V-KY	5.08(.200)	14.16(.557)	24.08(.948)	200
3	X	F32FSS-03V-KX	10.16(.400)	19.24(.757)	29.16(1.148)	200
	Y	F32FSS-03V-KY	10.16(.400)	19.24(.757)	29.16(1.148)	200
4	X	F32FSS-04V-KX	15.24(.600)	24.32(.957)	34.24(1.348)	200
	Y	F32FSS-04V-KY	15.24(.600)	24.32(.957)	34.24(1.348)	200
5	X	F32FSS-05V-KX	20.32(.800)	29.40(1.157)	39.32(1.548)	200
	Y	F32FSS-05V-KY	20.32(.800)	29.40(1.157)	39.32(1.548)	200
6	X	F32FSS-06V-KX	25.40(1.000)	34.48(1.357)	44.40(1.748)	100
	Y	F32FSS-06V-KY	25.40(1.000)	34.48(1.357)	44.40(1.748)	100

### Material

Glass-filled PBT, UL94V-0, black

## Tab housing (Free hanging type)

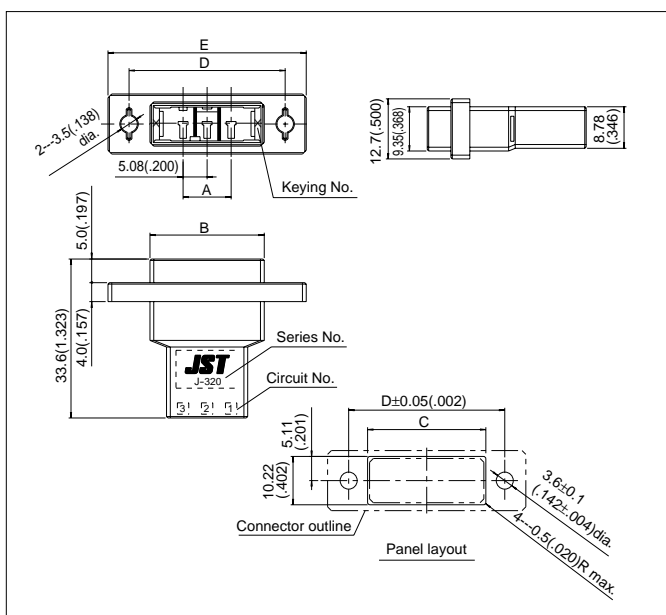


Circuits	Keying	Model No.	Dimensions mm(in.)			Q'ty / bag
			A	B	C	
2	X	F32MSF-02V-KX	5.08(.200)	19.08(.751)	23.03(.907)	200
	Y	F32MSF-02V-KY	5.08(.200)	19.08(.751)	23.03(.907)	200
3	X	F32MSF-03V-KX	10.16(.400)	24.16(.951)	28.11(1.107)	200
	Y	F32MSF-03V-KY	10.16(.400)	24.16(.951)	28.11(1.107)	200
4	X	F32MSF-04V-KX	15.24(.600)	29.24(1.151)	33.19(1.307)	200
	Y	F32MSF-04V-KY	15.24(.600)	29.24(1.151)	33.19(1.307)	200

### Material

Glass-filled PBT, UL94V-0, black

## Tab housing (Panel mounting type)



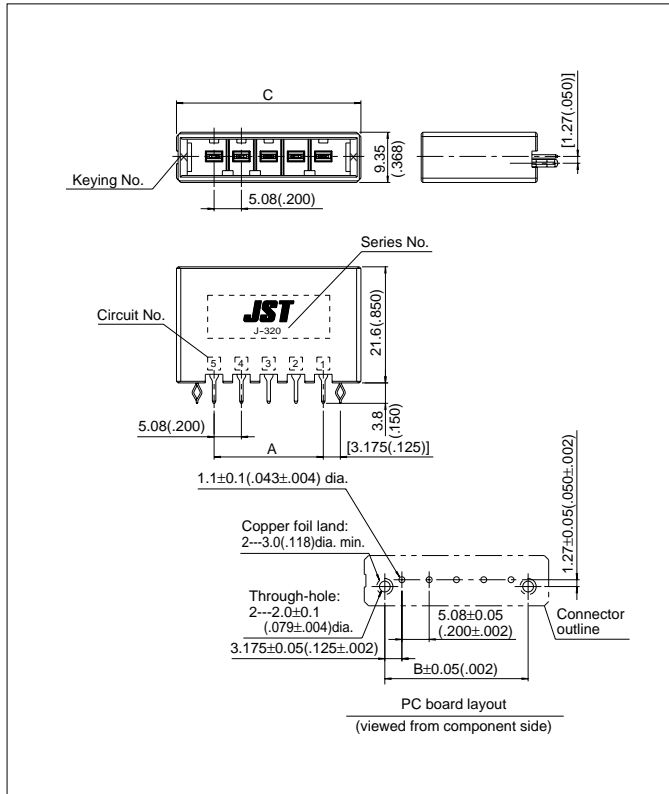
Circuits	Keying	Model No.	Dimensions mm(in.)					Q'ty / bag
			A	B	C	D	E	
2	X	F32MSP-02V-KX	5.08(.200)	19.08(.751)	20.00(.787)	28.00(1.102)	36.83(1.450)	200
	Y	F32MSP-02V-KY	5.08(.200)	19.08(.751)	20.00(.787)	28.00(1.102)	36.83(1.450)	200
3	X	F32MSP-03V-KX	10.16(.400)	24.16(.951)	25.00(.984)	33.00(1.299)	41.91(1.650)	200
	Y	F32MSP-03V-KY	10.16(.400)	24.16(.951)	25.00(.984)	33.00(1.299)	41.91(1.650)	200
4	X	F32MSP-04V-KX	15.24(.600)	29.24(1.151)	30.00(1.181)	38.00(1.496)	46.99(1.850)	200
	Y	F32MSP-04V-KY	15.24(.600)	29.24(1.151)	30.00(1.181)	38.00(1.496)	46.99(1.850)	200

### Material

Glass-filled PBT, UL94V-0, black

# JFA CONNECTOR/J320S

## Header (Top entry type)



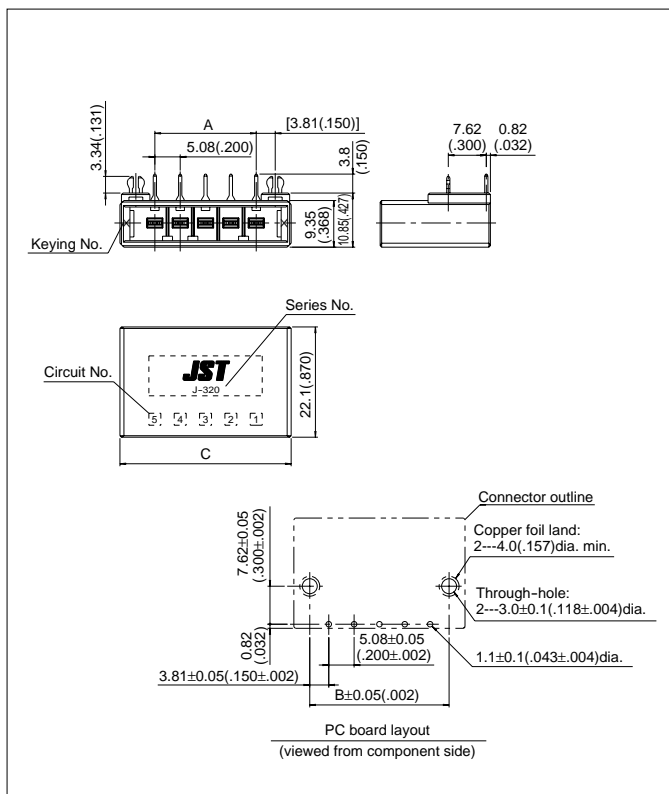
Circuits	Keying	Model No.	Dimensions mm(in.)			Q'ty / box
			A	B	C	
2	X	<b>B02B-F32SK-GGXR</b>	5.08 (.200)	11.43 (.450)	19.08 (.751)	240
	Y	<b>B02B-F32SK-GGYR</b>	5.08 (.200)	11.43 (.450)	19.08 (.751)	240
3	X	<b>B03B-F32SK-GGXR</b>	10.16 (.400)	16.51 (.650)	24.16 (.951)	200
	Y	<b>B03B-F32SK-GGYR</b>	10.16 (.400)	16.51 (.650)	24.16 (.951)	200
4	X	<b>B04B-F32SK-GGXR</b>	15.24 (.600)	21.59 (.850)	29.24 (1.151)	160
	Y	<b>B04B-F32SK-GGYR</b>	15.24 (.600)	21.59 (.850)	29.24 (1.151)	160
5	X	<b>B05B-F32SK-GGXR</b>	20.32 (.800)	26.67 (1.050)	34.32 (1.351)	140
	Y	<b>B05B-F32SK-GGYR</b>	20.32 (.800)	26.67 (1.050)	34.32 (1.351)	140
6	X	<b>B06B-F32SK-GGXR</b>	25.40 (1.000)	31.75 (1.250)	39.40 (1.551)	120
	Y	<b>B06B-F32SK-GGYR</b>	25.40 (1.000)	31.75 (1.250)	39.40 (1.551)	120

### Material and Finish

Tab contact: Copper-alloy, nickel-undercoated, selective gold-plated, selective tin/lead-plated  
Housing: Glass-filled PBT, UL94V-0, black  
Reinforcing metal fixture: Copper-alloy, copper-undercoated, tin/lead-plated

Note: Contact JST for the headers supplied in magazine stick.

## Header (Side entry type)



Circuits	Keying	Model No.	Dimensions mm(in.)			Q'ty / box
			A	B	C	
2	X	<b>S02B-F32SK-GGXR</b>	5.08 (.200)	12.70 (.500)	19.08 (.751)	180
	Y	<b>S02B-F32SK-GGYR</b>	5.08 (.200)	12.70 (.500)	19.08 (.751)	180
3	X	<b>S03B-F32SK-GGXR</b>	10.16 (.400)	17.78 (.700)	24.16 (.951)	150
	Y	<b>S03B-F32SK-GGYR</b>	10.16 (.400)	17.78 (.700)	24.16 (.951)	150
4	X	<b>S04B-F32SK-GGXR</b>	15.24 (.600)	22.86 (.900)	29.24 (1.151)	120
	Y	<b>S04B-F32SK-GGYR</b>	15.24 (.600)	22.86 (.900)	29.24 (1.151)	120
5	X	<b>S05B-F32SK-GGXR</b>	20.32 (.800)	27.94 (1.100)	34.32 (1.351)	105
	Y	<b>S05B-F32SK-GGYR</b>	20.32 (.800)	27.94 (1.100)	34.32 (1.351)	105
6	X	<b>S06B-F32SK-GGXR</b>	25.40 (1.000)	33.02 (1.300)	39.40 (1.551)	90
	Y	<b>S06B-F32SK-GGYR</b>	25.40 (1.000)	33.02 (1.300)	39.40 (1.551)	90

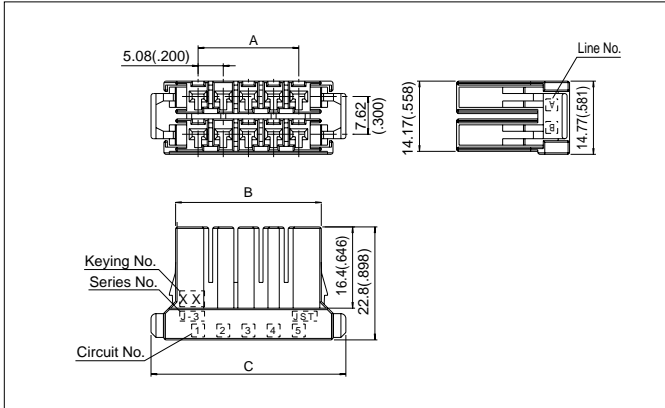
### Material and Finish

Tab contact: Copper-alloy, nickel-undercoated, selective gold-plated, selective tin/lead-plated  
Housing: Glass-filled PBT, UL94V-0, black  
Reinforcing metal fixture: Copper-alloy, copper-undercoated, tin/lead-plated

Note: Contact JST for the headers supplied in magazine stick.

# JFA CONNECTOR/J320M

## Receptacle housing

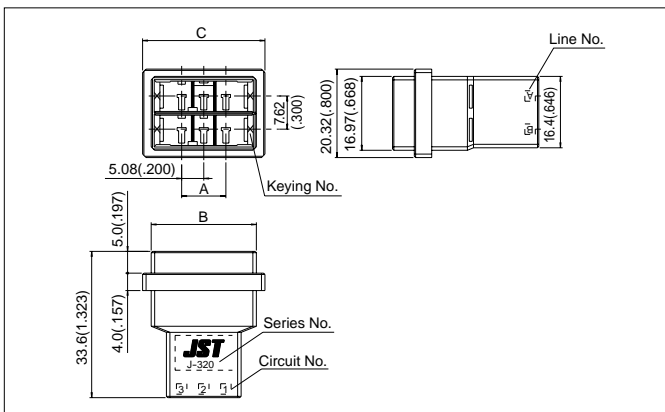


Circuits	Keying	Model No.	Dimensions mm(in.)			Q'ty / bag
			A	B	C	
6	XX	F32FMS-06V-KXX	10.16( .400)	19.24( .757)	29.16(1.148)	100
	YY	F32FMS-06V-KYY	10.16( .400)	19.24( .757)	29.16(1.148)	100
	XY	F32FMS-06V-KXY	10.16( .400)	19.24( .757)	29.16(1.148)	100
10	XX	F32FMS-10V-KXX	20.32( .800)	29.40(1.157)	39.32(1.548)	100
	YY	F32FMS-10V-KYY	20.32( .800)	29.40(1.157)	39.32(1.548)	100
12	XX	F32FMS-12V-KXX	25.40(1.000)	34.48(1.357)	44.40(1.748)	100
	YY	F32FMS-12V-KYY	25.40(1.000)	34.48(1.357)	44.40(1.748)	100
	XY	F32FMS-12V-KXY	25.40(1.000)	34.48(1.357)	44.40(1.748)	100

### Material

Glass-filled PBT, UL94V-0, black

## Tab housing (Free hanging type)

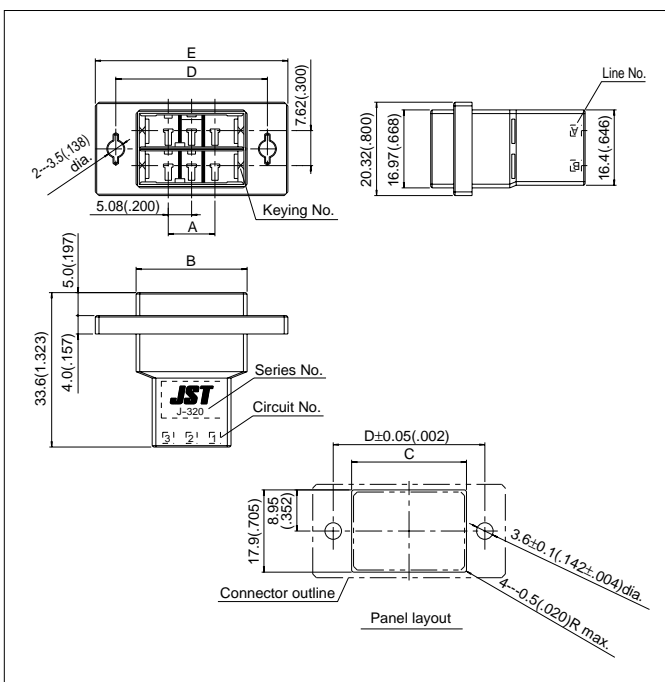


Circuits	Keying	Model No.	Dimensions mm(in.)			Q'ty / bag
			A	B	C	
6	XX	F32MDF-06V-KXX	10.16( .400)	24.16( .951)	28.11(1.107)	100
	YY	F32MDF-06V-KYY	10.16( .400)	24.16( .951)	28.11(1.107)	100
	XY	F32MDF-06V-KXY	10.16( .400)	24.16( .951)	28.11(1.107)	100
12	XX	F32MDF-12V-KXX	25.40(1.000)	39.40(1.551)	43.35(1.707)	100
	YY	F32MDF-12V-KYY	25.40(1.000)	39.40(1.551)	43.35(1.707)	100
	XY	F32MDF-12V-KXY	25.40(1.000)	39.40(1.551)	43.35(1.707)	100

### Material

Glass-filled PBT, UL94V-0, black

## Tab housing (Panel mounting type)



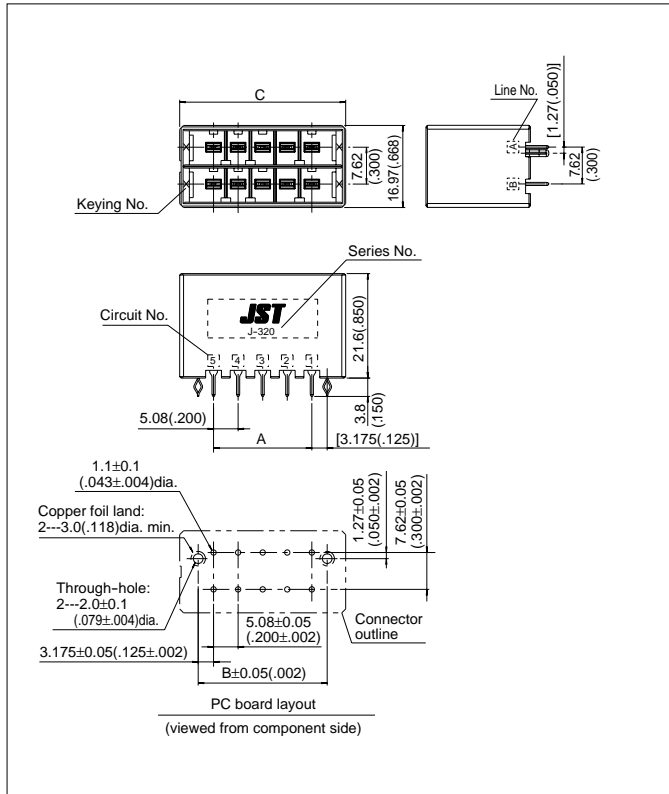
Circuits	Keying	Model No.	Dimensions mm(in.)					Q'ty / bag
			A	B	C	D	E	
6	XX	F32MDP-06V-KXX	10.16( .400)	24.16( .951)	25.00( .984)	33.00(1.299)	41.91(1.650)	100
	YY	F32MDP-06V-KYY	10.16( .400)	24.16( .951)	25.00( .984)	33.00(1.299)	41.91(1.650)	100
	XY	F32MDP-06V-KXY	10.16( .400)	24.16( .951)	25.00( .984)	33.00(1.299)	41.91(1.650)	100
12	XX	F32MDP-12V-KXX	25.40(1.000)	39.40(1.551)	41.00(1.614)	49.00(1.929)	57.91(2.280)	100
	YY	F32MDP-12V-KYY	25.40(1.000)	39.40(1.551)	41.00(1.614)	49.00(1.929)	57.91(2.280)	100
	XY	F32MDP-12V-KXY	25.40(1.000)	39.40(1.551)	41.00(1.614)	49.00(1.929)	57.91(2.280)	100

### Material

Glass-filled PBT, UL94V-0, black

# JFA CONNECTOR/J320M

## Header (Top entry type)



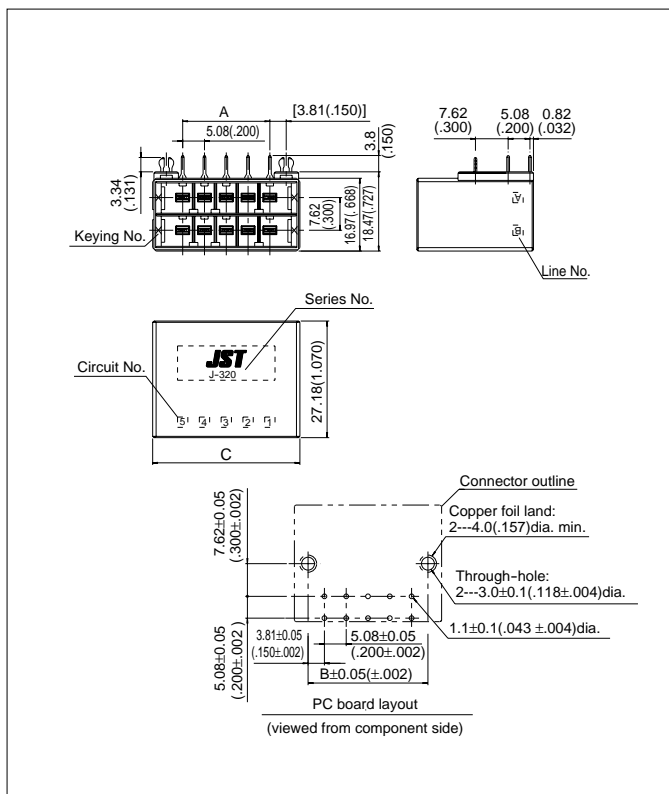
Circuits	Keying	Model No.	Dimensions mm(in.)			Q'ty / box
			A	B	C	
6	XX	<b>B06B-F32MK-GGXXR</b>	10.16( .400)	16.51( .650)	24.16( .951)	120
	YY	<b>B06B-F32MK-GGYR</b>	10.16( .400)	16.51( .650)	24.16( .951)	120
	XY	<b>B06B-F32MK-GGXRYR</b>	10.16( .400)	16.51( .650)	24.16( .951)	120
10	XX	<b>B10B-F32MK-GGXXR</b>	20.32( .800)	26.67(1.050)	34.32(1.351)	84
	YY	<b>B10B-F32MK-GGYR</b>	20.32( .800)	26.67(1.050)	34.32(1.351)	84
	XY	<b>B10B-F32MK-GGXRYR</b>	20.32( .800)	26.67(1.050)	34.32(1.351)	84
12	XX	<b>B12B-F32MK-GGXXR</b>	25.40(1.000)	31.75(1.250)	39.40(1.551)	72
	YY	<b>B12B-F32MK-GGYR</b>	25.40(1.000)	31.75(1.250)	39.40(1.551)	72
	XY	<b>B12B-F32MK-GGXRYR</b>	25.40(1.000)	31.75(1.250)	39.40(1.551)	72

### Material and Finish

Tab contact: Copper-alloy, nickel-undercoated, selective gold-plated, selective tin/lead-plated  
 Housing: Glass-filled PBT, UL94V-0, black  
 Reinforcing metal fixture: Copper-alloy, copper-undercoated, tin/lead-plated

Note: Contact JST for the headers supplied in magazine stick.

## Header (Side entry type)



Circuits	Keying	Model No.	Dimensions mm(in.)			Q'ty / box
			A	B	C	
6	XX	<b>S06B-F32MK-GGXXR</b>	10.16( .400)	17.78( .700)	24.16( .951)	80
	YY	<b>S06B-F32MK-GGYR</b>	10.16( .400)	17.78( .700)	24.16( .951)	80
	XY	<b>S06B-F32MK-GGXRYR</b>	10.16( .400)	17.78( .700)	24.16( .951)	80
10	XX	<b>S10B-F32MK-GGXXR</b>	20.32( .800)	27.94(1.100)	34.32(1.351)	56
	YY	<b>S10B-F32MK-GGYR</b>	20.32( .800)	27.94(1.100)	34.32(1.351)	56
	XY	<b>S10B-F32MK-GGXRYR</b>	20.32( .800)	27.94(1.100)	34.32(1.351)	56
12	XX	<b>S12B-F32MK-GGXXR</b>	25.40(1.000)	33.02(1.300)	39.40(1.551)	48
	YY	<b>S12B-F32MK-GGYR</b>	25.40(1.000)	33.02(1.300)	39.40(1.551)	48
	XY	<b>S12B-F32MK-GGXRYR</b>	25.40(1.000)	33.02(1.300)	39.40(1.551)	48

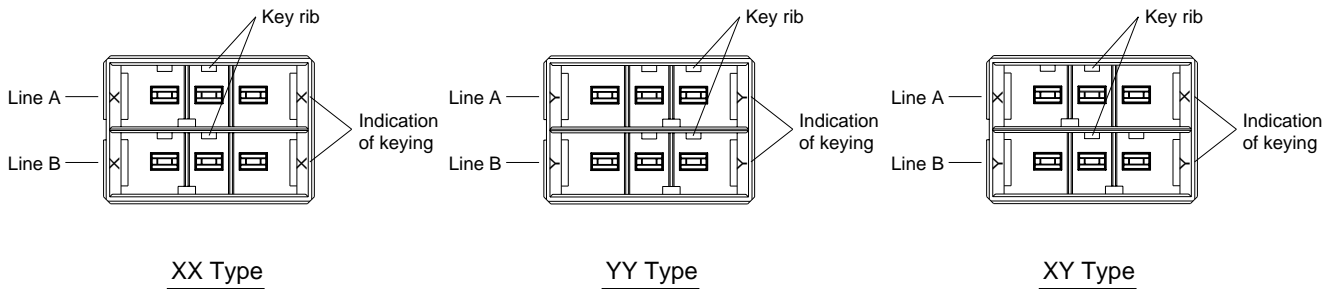
### Material and Finish

Tab contact: Copper-alloy, nickel-undercoated, selective gold-plated, selective tin/lead-plated  
 Housing: Glass-filled PBT, UL94V-0, black  
 Reinforcing metal fixture: Copper-alloy, copper-undercoated, tin/lead-plated

Note: Contact JST for the headers supplied in magazine stick.

## Keying

J320M series have mis-insertion preventive keying.  
Available in 3 types – XX type, YY type and XY type.  
(Headers viewed from the mating side are shown below.)



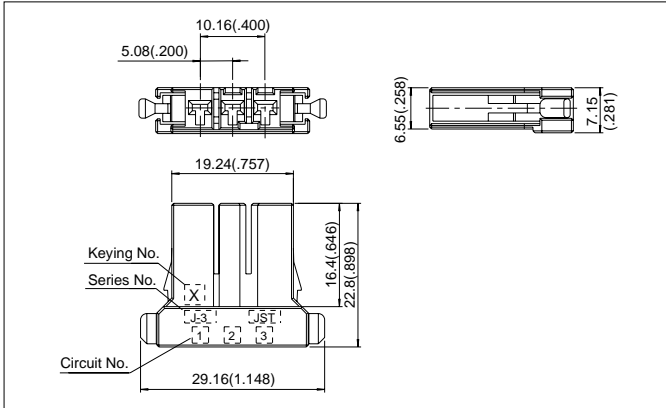
## List of combinations

With the combination of the J320M headers and the J320M/J320S receptacle housings, the following modular combinations are possible.

Receptacle housing		Tab housing		Header	
<b>Single-row</b> 3, 5, 6-circuits (J320S) 	<b>X type</b> F32FSS-■V-KX		<b>X type</b> Free hanging type F32MSF-■V-KX Panel mounting type F32MSP-■V-KX	<b>Single-row</b> 3, 5, 6-circuits (J320S) 	<b>X type</b> Top entry type B■B-F32SK-GGX■ Side entry type S■B-F32SK-GGX■
	<b>Y type</b> F32FSS-■V-KY		<b>Y type</b> Free hanging type F32MSF-■V-KY Panel mounting type F32MSP-■V-KY		<b>Y type</b> Top entry type B■B-F32SK-GGY■ Side entry type S■B-F32SK-GGY■
<b>Double-row</b> 6, 10, 12-circuits (J320M) 	<b>XX type</b> F32FMS-■V-KXX		<b>XX type</b> Free hanging type F32MDF-■V-KXX Panel mounting type F32MDP-■V-KXX	<b>Double-row</b> 6, 10, 12-circuits (J320M) 	<b>XX type</b> Top entry type B■B-F32MK-GGX■ Side entry type S■B-F32MK-GGX■
	<b>YY type</b> F32FMS-■V-KYY		<b>YY type</b> Free hanging type F32MDF-■V-KYY Panel mounting type F32MDP-■V-KYY		<b>YY type</b> Top entry type B■B-F32MK-GGY■ Side entry type S■B-F32MK-GGY■
	<b>XY type</b> F32FMS-■V-KXY		<b>XY type</b> Free hanging type F32MDF-■V-KXY Panel mounting type F32MDP-■V-KXY		<b>XY type</b> Top entry type B■B-F32MK-GGY■ Side entry type S■B-F32MK-GGY■

# JFA CONNECTOR/J320T

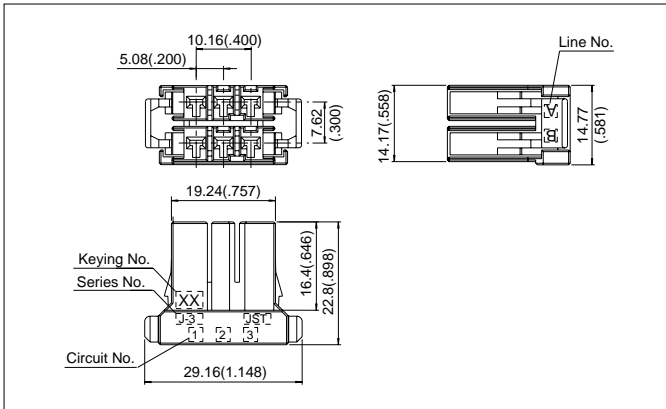
## Receptacle housing



Circuits	Keying	Model No.	Q'ty / bag
3	X	<b>F32FSS-03V-KX</b>	200
	Y	<b>F32FSS-03V-KY</b>	200

### Material

Glass-filled PBT, UL94V-0, black

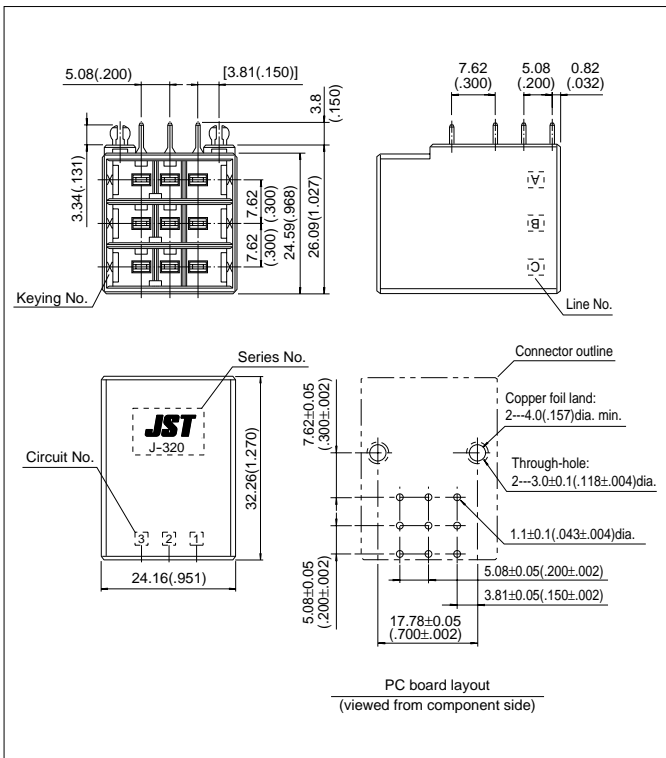


Circuits	Keying	Model No.	Q'ty / bag
6	XX	<b>F32FMS-06V-KXX</b>	100
	YY	<b>F32FMS-06V-KYY</b>	100
	XY	<b>F32FMS-06V-KXY</b>	100

### Material

Glass-filled PBT, UL94V-0, black

## Header (Side entry type)



Circuits	Keying	Model No.	Q'ty / box
9	XXX	<b>S09B-F32TK-GGXAR</b>	42
	XXY	<b>S09B-F32TK-GGXBR</b>	42
	XYX	<b>S09B-F32TK-GGXCR</b>	42
	YYX	<b>S09B-F32TK-GGXDR</b>	42

### Material and Finish

Tab contact: Copper-alloy, nickel-undercoated, selective gold-plated, selective tin/lead-plated

Housing: Glass-filled PBT, UL94V-0, black

Reinforcing metal fixture: Copper-alloy, copper-undercoated, tin/lead-plated

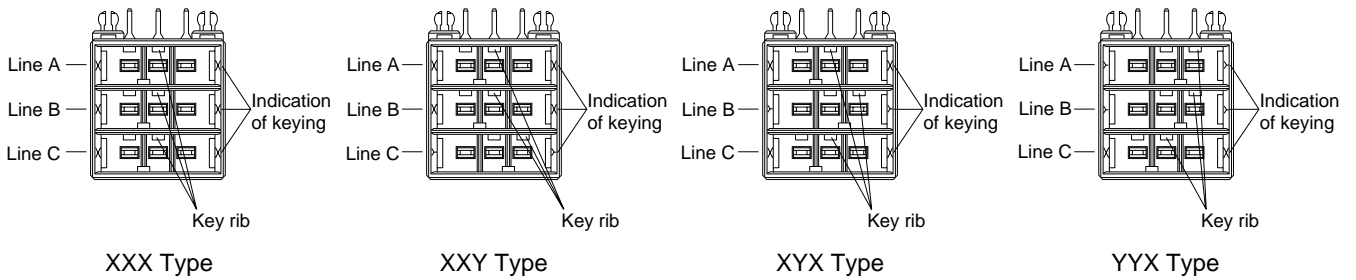
Note: Not CSA/TÜV approved.



# JFA CONNECTOR/J320T

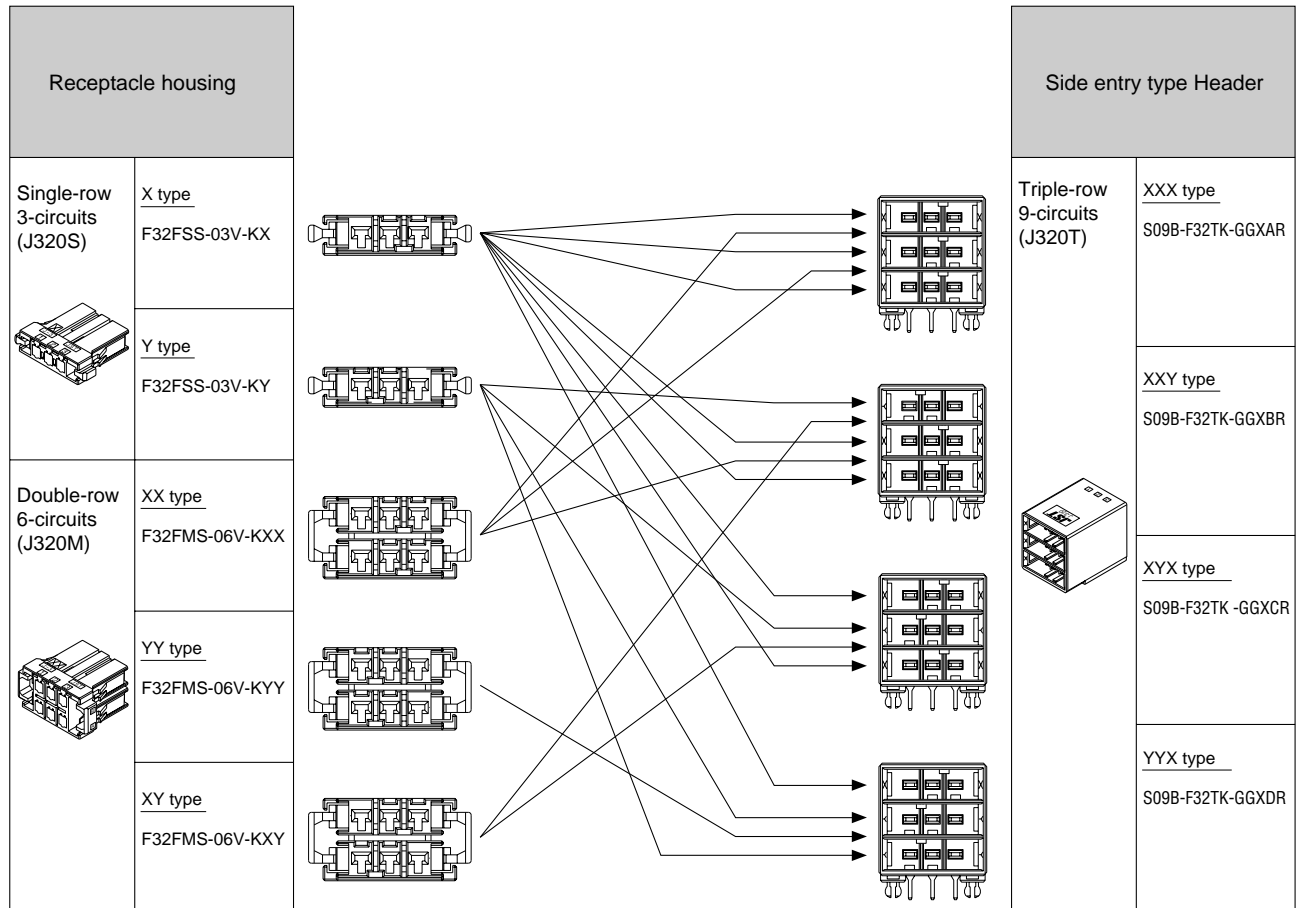
## Keying

J320T series have mis-insertion preventive keying.  
Available in 4 types – XXX type, XXY type, XYX type and YYX type.  
(Headers viewed from the mating side are shown below.)



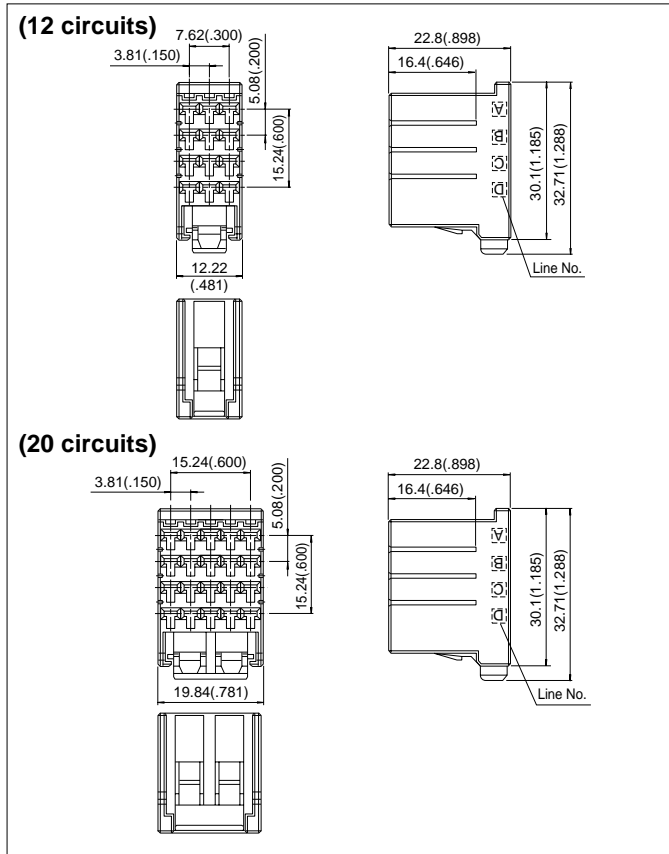
## List of combinations

With the combination of the J320T headers and the J320S/J320M receptacle housings, the following modular combinations are possible.



# JFA CONNECTOR/J340F

## Receptacle housing



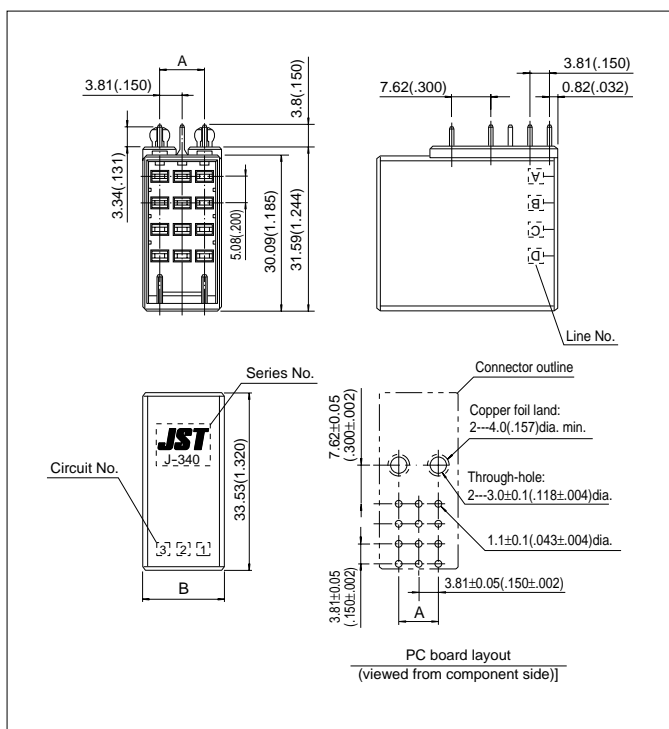
Circuits	Keying	Model No.	Q'ty / bag
12	—	<b>F34FFC-12V-K</b>	100
20	—	<b>F34FFC-20V-K</b>	100

### Material

Glass-filled PBT, UL94V-0, black

Note: Not CSA/TÜV approved.

## Header (Side entry type)



Circuits	Keying	Model No.	Dimensions mm(in.)		Q'ty / box
			A	B	
12	—	<b>SC12B-F34FK-GGR</b>	7.62(.300)	15.02(.591)	63
20	—	<b>SC20B-F34FK-GGR</b>	15.24(.600)	22.64(.891)	42

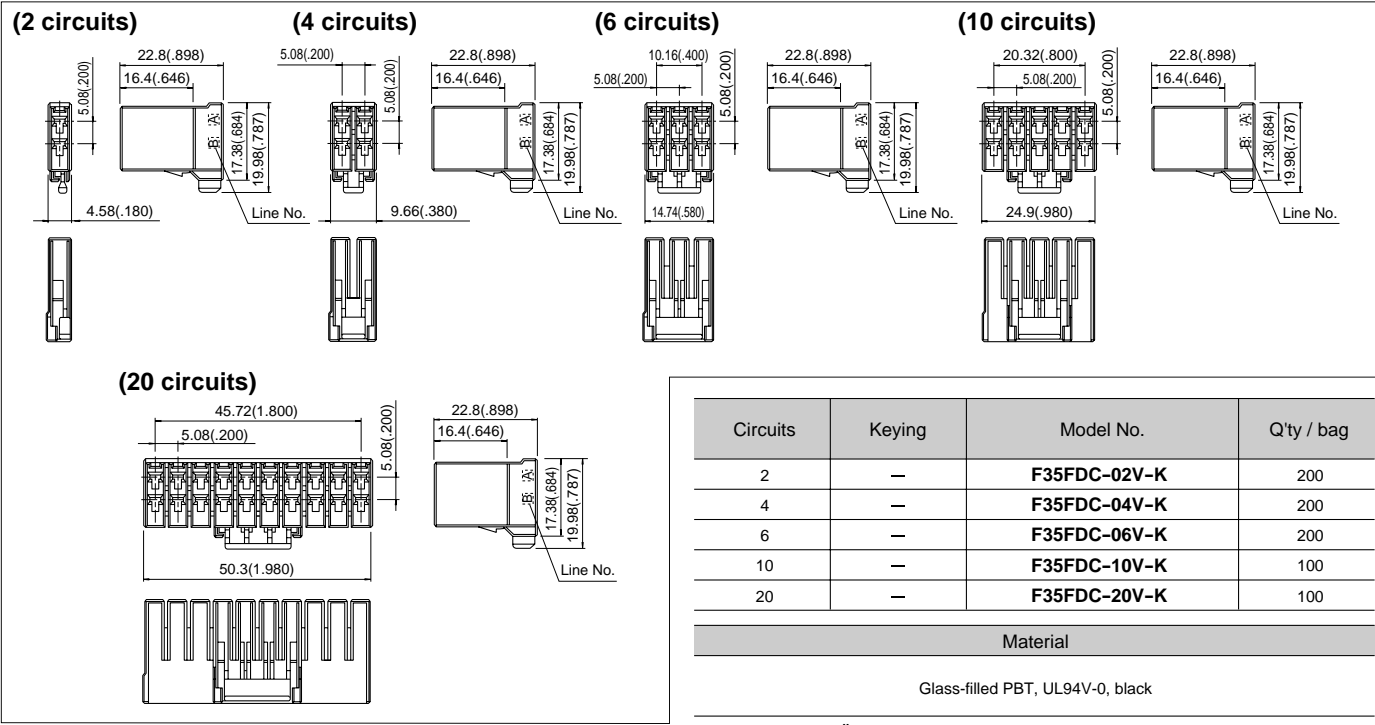
### Material and Finish

Tab contact: Copper-alloy, nickel-undercoated, selective gold-plated, selective tin/lead-plated  
Housing: Glass-filled PBT, UL94V-0, black  
Reinforcing metal fixture: Copper-alloy, copper-undercoated, tin/lead-plated

Note: Not CSA/TÜV approved.

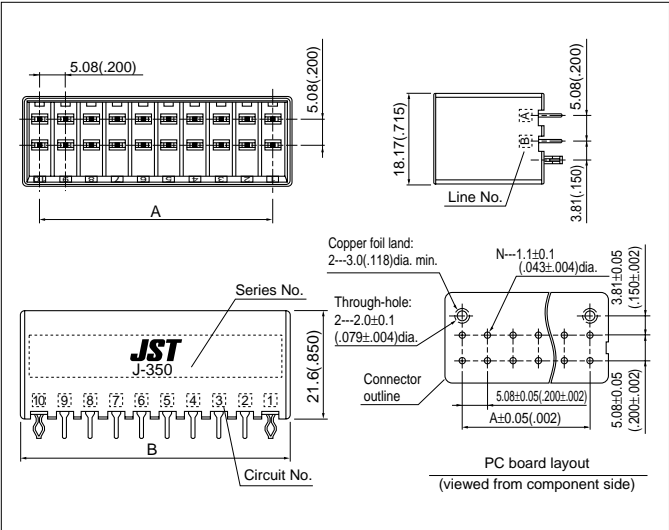
# JFA CONNECTOR/J350D

## Receptacle housing



Note: Not CSA/TÜV approved.

## Header (Top entry type)



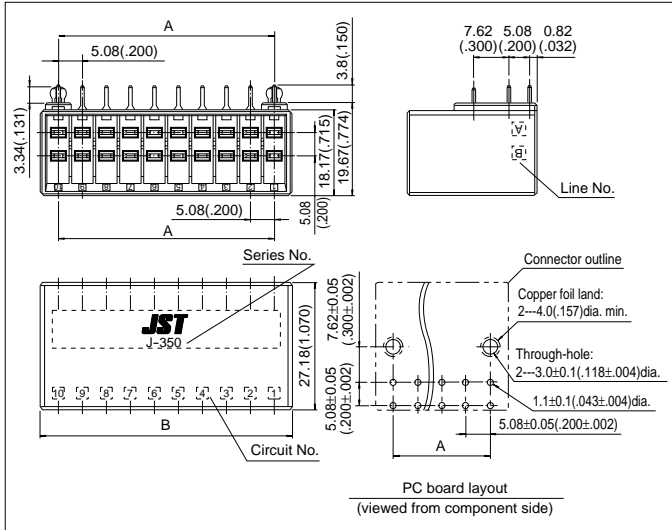
Circuits	Keying	Model No.	Dimensions mm(in.)		Q'ty / box
			A	B	
12	—	BC12B-F35DK-GGR	25.4 (1.000)	32.48(1.279)	56
20	—	BC20B-F35DK-GGR	45.72(1.800)	52.8 (2.079)	32

Material and Finish

Tab contact: Copper alloy, nickel-undercoated, selective gold-plated, selective tin/lead-plated  
 Housing: Glass-filled PBT, UL94V-0, black  
 Reinforcing metal fixture: Copper alloy, copper-undercoated, tin/lead-plated

Note: Not CSA/TÜV approved.

## Header (Side entry type)



Circuits	Keying	Model No.	Dimensions mm(in.)		Q'ty / box
			A	B	
12	—	SC12B-F35DK-GGR	25.4 (1.000)	32.48(1.279)	56
20	—	SC20B-F35DK-GGR	45.72(1.800)	52.8 (2.079)	32

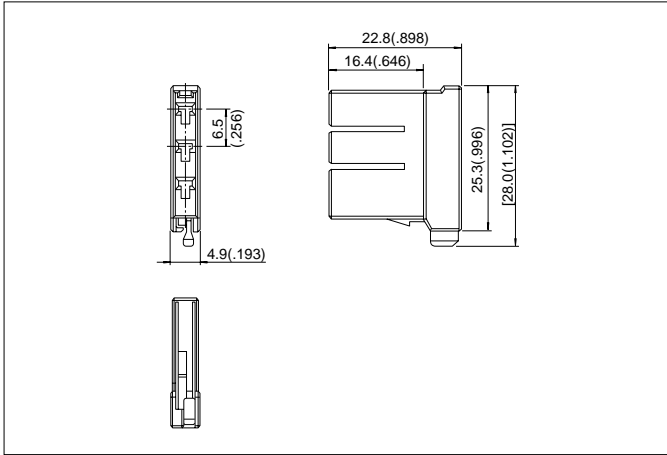
Material and Finish

Tab contact: Copper alloy, nickel-undercoated, selective gold-plated, selective tin/lead-plated  
 Housing: Glass-filled PBT, UL94V-0, black  
 Reinforcing metal fixture: Copper alloy, copper-undercoated, tin/lead-plated

Note: Not CSA/TÜV approved.

# JFA CONNECTOR/J360T

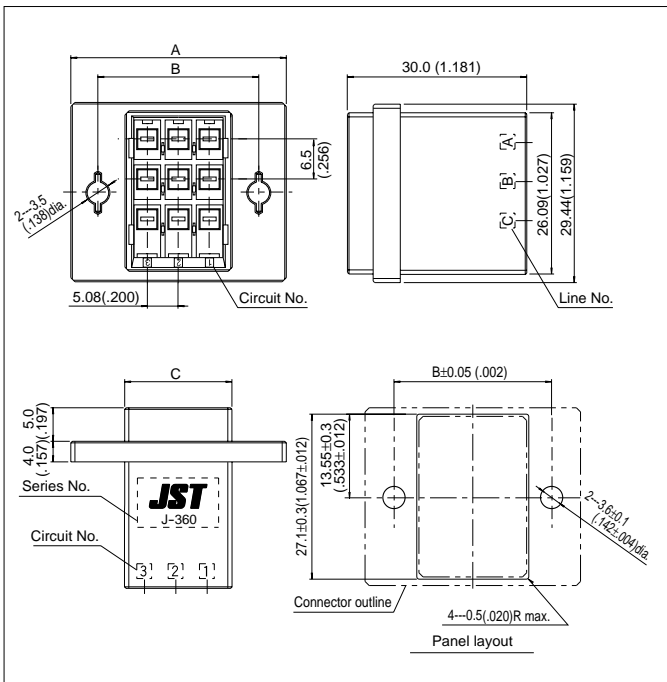
## Receptacle housing



Circuits	Keying	Model No.	Q'ty / bag
3	—	<b>F36FTC-03V-K</b>	—
Material			
Glass-filled PBT, UL94V-0, black			

Note: Not UL/CSA/TÜV approved.

## Tab housing



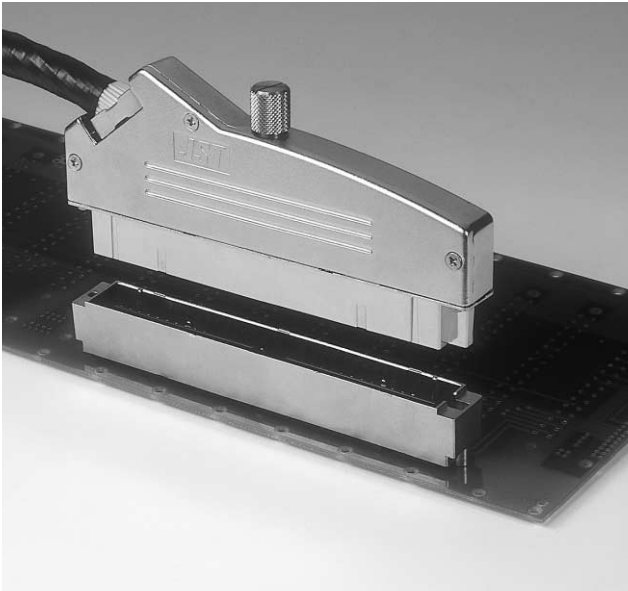
Circuits	Keying	Model No.	Dimensions mm(in.)			Q'ty / box
			A	B	C	
9	—	<b>P09B-F36TK-GGR</b>	35.0(1.378)	26.1(1.028)	17.8(.701)	—
18	—	<b>P18B-F36TK-GGR</b>	50.2(1.976)	41.3(1.626)	33.1(1.303)	—

### Material and Finish

Tab contact: Copper alloy, nickel-undercoated, selective gold-plated  
Housing: Glass-filled PBT, UL94V-0, black

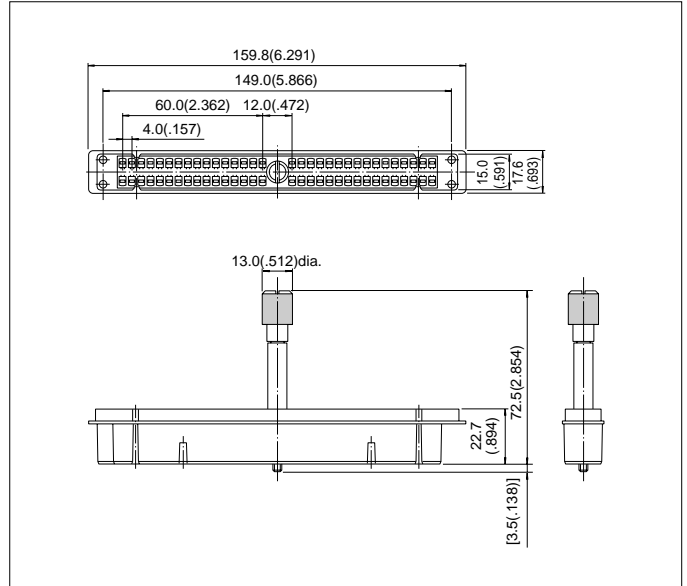
Note: Not UL/CSA/TÜV approved.

# JFA CONNECTOR/J390A



**J390A(I / O Metal Connector)**

## Plug Housing Assembly



Model No.

**64P-JFAJ390A**

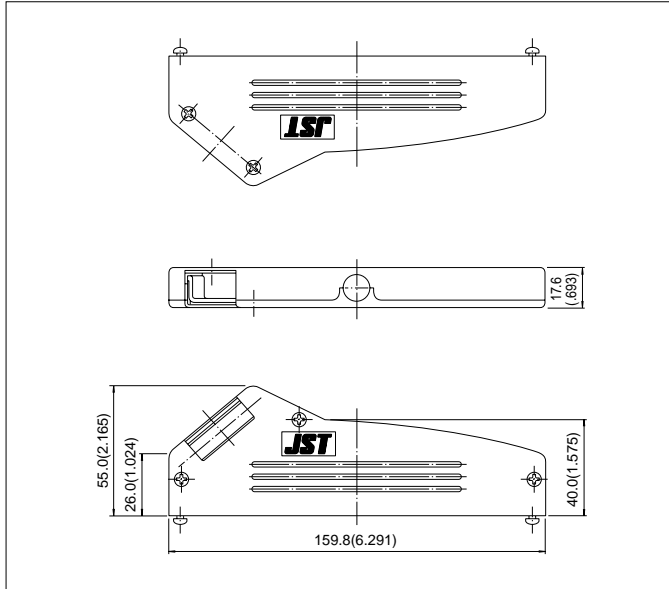
Material and Finish

Plug housing: PBT, UL94V-0, black  
 Center screw assembly: SUS  
 Cover C: Zinc alloy, nickel-plated

Note: 1. Refer page 166 about Receptacle contact.  
 2. Not UL/CSA/TÜV approved.

# JFA CONNECTOR/J390A

## Cover Kit



Model No.

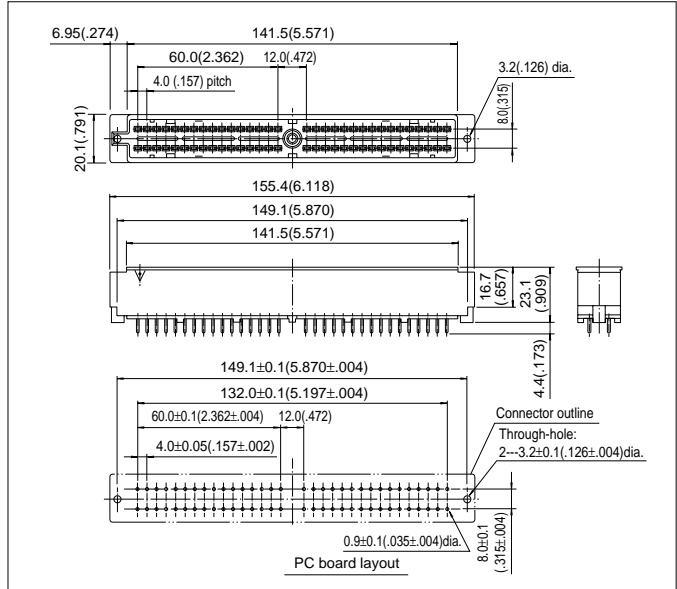
**JFAJ390A-CK**

Material and Finish

Cover A: Zinc alloy, nickel-plated  
 Cover B: Zinc alloy, nickel-plated  
 Cable cramp: SPC  
 Cross-recessed flat head screws(M3x14): SUS, Market Product(prepared by customer)  
 Cross-recessed pan head screws(M3x10): SUS, Market Product(prepared by customer)

Note: Not UL/CSA/TÜV approved.

## Cap Housing Assembly



Model No.

**B64R-JFAJ390A**

Material and Finish

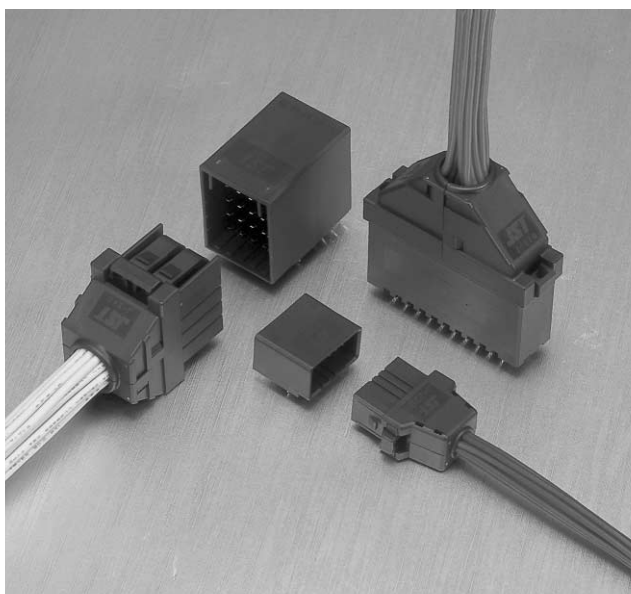
Tab contact: Copper-alloy  
 Housing base: PBT, UL94V-0, black  
 Cap housing: Zinc alloy, nickel-plated  
 Inserted nut: SUS

Note: Not UL/CSA/TÜV approved.

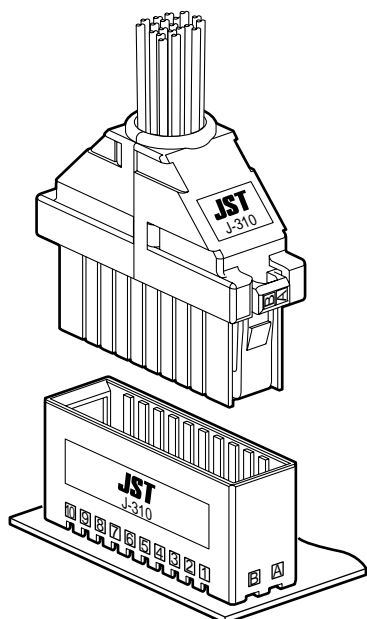
## Applicator for the semi-automatic press AP-K2N

Contact	Crimp applicator MKS-L		Compact crimp applicator MKS-LS		Strip-crimp applicator MKS-SC
	with safety cover	without safety cover	with safety cover	without safety cover	with safety cover
<b>SF3F-002GF-P2.0</b>	APLMK SF3F002-20	APLNC SF3F002-20	-	-	-
<b>SF3F-01GF-P2.0</b>	APLMK SF3F/M01-20	APLNC SF3F/M01-20	-	-	-
<b>SF3M-01GF-M2.0N</b>	APLMK SF3F/M01-20	APLNC SF3F/M01-20	-	-	-
<b>SF3F-41GF-P2.0</b>	APLMK SF3F/M41-20	APLNC SF3F/M41-20	-	-	-
<b>SF3M-41GF-M2.0N</b>	APLMK SF3F/M41-20	APLNC SF3F/M41-20	-	-	-
<b>SF3F-71GF-P2.0</b>	APLMK SF3F/M71-20	APLNC SF3F/M71-20	-	-	-
<b>SF3M-71GF-M2.0N</b>	APLMK SF3F/M71-20	APLNC SF3F/M71-20	-	-	-

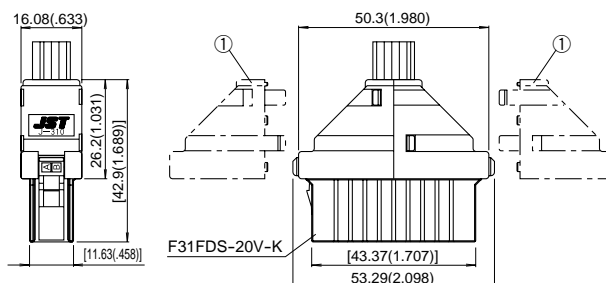
# JFA CONNECTOR/J300 SERIES Protector



**When applying current to connector, this protector prevents insertion of foreign matter to contacting part from wire side. But it does not have function of wire retention.**

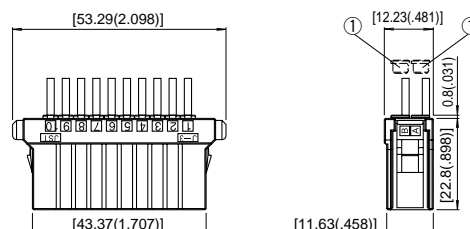


●J310D series/ for 20 circuits Model No. ① F31PFD-20(\*)

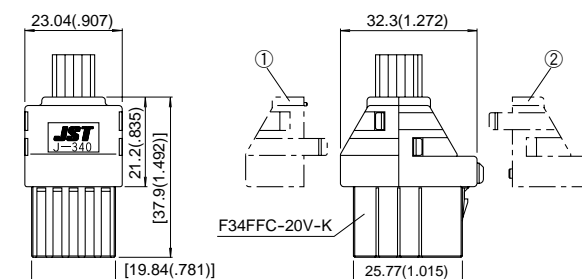


●J310D series/ Embedding-type protector for 8, 10 circuits Model No. ① F31PFS-10KU\*

◎ This protector is cut and used for each number of circuits.



●J340F series/for 20 circuits Model No. ① F34PFF-20(\*)A\*  
② F34PFF-20(\*)B\*



(\*)Stands for material. Contact JST for details.

Note: The products listed above are not UL/CSA/TÜV approved.