

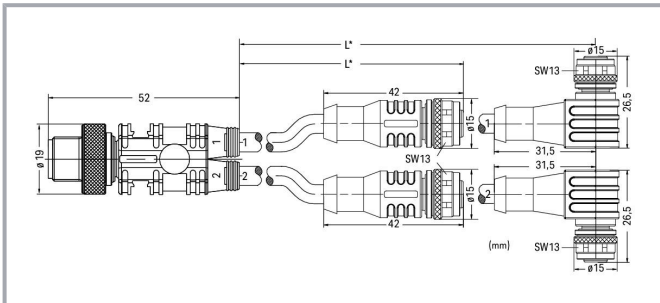
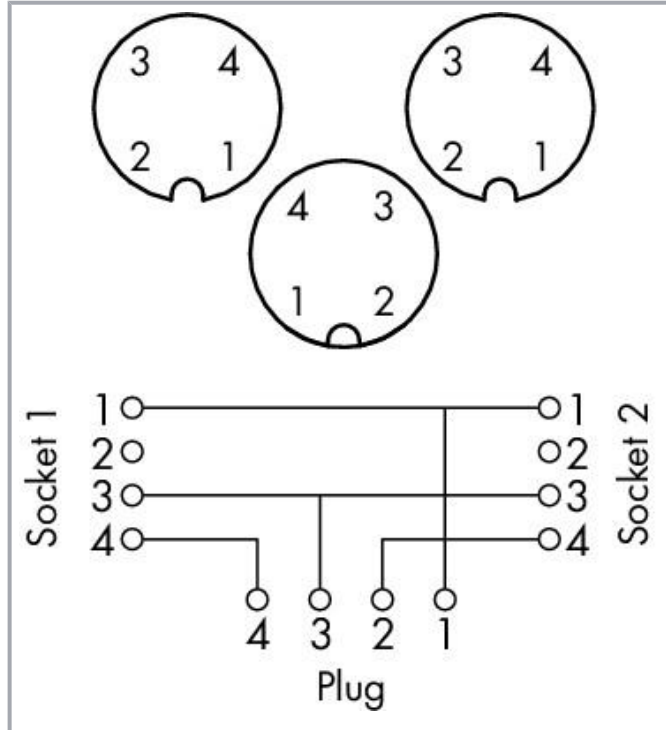
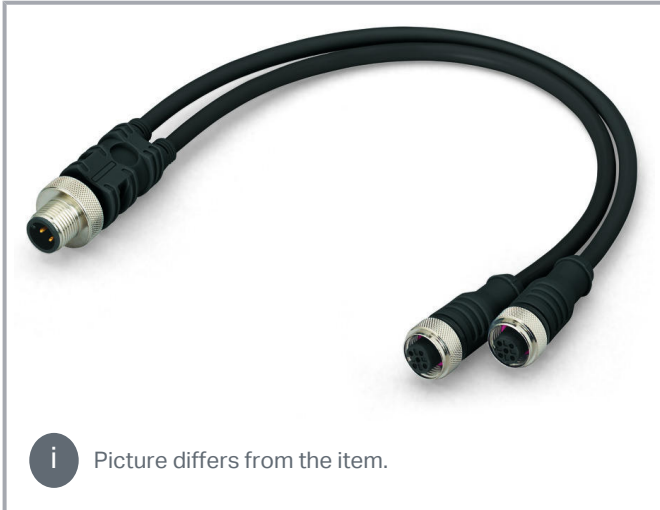
Data sheet | Item number: 756-5516/040-010

Sensor/Actuator cable; 2xM12 socket; straight; M12A plug; straight; 4-pole;

Length: 1 m



www.wago.com/756-5516/040-010



Subject to changes. Please also observe the further product documentation!

WAGO GmbH & Co. KG

Hansastr. 27

32423 Minden

Phone: +49571 887-0 | Fax: +49571 887-169

Email: info.de@wago.com | Web: www.wago.com

Do you have any questions about our products?

We are always happy to take your call at +49 (571) 887-44222.

Pin 1 - 4: 0.34 mm²

Item description

Short description:

- PUR, halogen-free
- Suitable for drag chains
- High resistance to microbes, hydrolysis, oil, chemicals and UV radiation
- High chemical resistance
- Cable used: UL listed

Data

Technical data

Connection type	M12 socket; M12 socket - M12 plug
Pole No.	4
Cable connection direction to mating direction	0°
Cable connection direction to mating direction (2)	0°
Connector interface coding (cable/adapter) 1 1	A-coded
Connector interface coding (cable/adapter) 2 1	A-coded
Connector interface coding (cable/adapter) 1 2	A-coded
Cable length	1 m

Subject to changes. Please also observe the further product documentation!

WAGO GmbH & Co. KG
Hansastr. 27
32423 Minden
Phone: +49571 887-0 | Fax: +49571 887-169
Email: info.de@wago.com | Web: www.wago.com

Do you have any questions about our products?
We are always happy to take your call at +49 (571) 887-44222.



Operating voltage	250 VAC/DC
Operating current	4 A
Rated surge voltage	2.5 kV

Mechanical data

Bending cycles	2 Mio.
Drag chain suitability	yes
Sheathed cable color	black
Sheathed cable diameter	4.5 ... 4.9 mm
Sheath material	Polyurethane (PUR), halogen-free per DIN VDE 0472 Part 815, flame resistant per IEC 332-2, self-extinguishing
Halogen-free	Yes
Housing material	Polyurethane (PUR)
Contact material	CuSn
Contact plating	CuNi/Au
Tightening torque	1 Nm
Weight	91 g

Environmental requirements

Surrounding air (operating) temperature (dynamic)	-25 ... +90 °C
Surrounding air (operating) temperature (static)	-50 ... +90 °C
Protection type	IP67
Pollution degree (5)	3 per VDE 0110

Commercial data

PU (SPU)	1 Stück
Packaging type	box
Country of origin	DE
GTIN	4044918994859
Customs tariff number	85444290900

Downloads**Documentation****Bid Text**

756-5516/040-010	2019. 2. 19.	xml	Download
X81 - Datei		3.2 kB	

Subject to changes. Please also observe the further product documentation!

WAGO GmbH & Co. KG
Hansastr. 27
32423 Minden
Phone: +49571 887-0 | Fax: +49571 887-169
Email: info.de@wago.com | Web: www.wago.com

Do you have any questions about our products?
We are always happy to take your call at +49 (571) 887-44222.



756-5516/040-010

2017. 9. 20.

doc
27.1 kB

Download

doc - Datei

System Description

IP67 Cables and Pluggable Connectors

pdf
293.9 kB

Download

CAD/CAE-Data

CAE data

WSCAD Universe 756-5516/040-010

URL

Download

WSCAD Universe 756-5516/040-010

URL

Download

Environmental Product Compliance

Compliance Search

Environmental Product Compliance 756-5516/040-010

URL

Download

Sensor/Actuator cable; 2xM12 socket; straight; M12A plug; straight; 4-pole; Length: 1 m

Installation Notes

Subject to changes. Please also observe the further product documentation!

WAGO GmbH & Co. KG

Hansastr. 27

32423 Minden

Phone: +49571 887-0 | Fax: +49571 887-169

Email: info.de@wago.com | Web: www.wago.com

Do you have any questions about our products?

We are always happy to take your call at +49 (571) 887-44222.