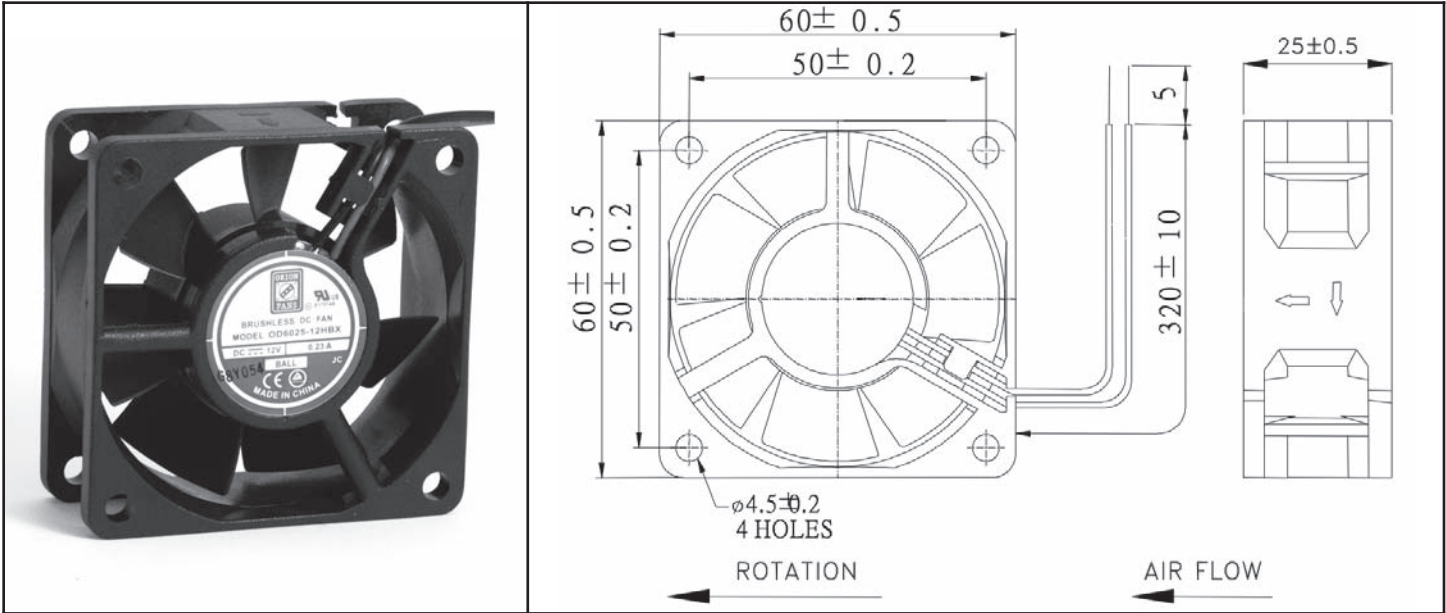


OD6025 Series



DC Fan - 12, 24V
60x25mm (2.36"x 1.0")



| | | | |
|-----------------------|---|---|--|
| Frame & Impeller | PBT, UL94V-O plastic | Available Options: Tachometer Alarm <u>Life Expectancy (L10)</u> Ball - 60,000 hrs (45C) Sleeve - 30,000 hrs (45C) <u>Operating Temperature</u> Ball: -10 ~ 70C Sleeve: -10 ~ 60C | |
| Connection | 2x Lead wires 24AWG | | |
| Motor | Brushless DC, auto restart, polarity protected | | |
| Bearing System | Ball bearing or Sleeve | | |
| Insulation Resistance | 10M ohm between leadwire and frame (500VDC) | | |
| Dielectric Strength | 1 second at 500 VAC, max leakage - 500 MicroAmp | | |

| Model Number | Speed (RPM) | Airflow (CFM) | Noise (dB) | Volts DC | Input Power (Watts) | Amps | Max. Static Pressure ("H2O) |
|---------------|-------------|---------------|------------|----------|---------------------|------|-----------------------------|
| OD6025-05H* | 4000 | 20 | 30 | 5 | 1.4 | 0.28 | 0.17 |
| OD6025-12HH * | 5100 | 28 | 40 | 12 | 3.1 | 0.25 | 0.24 |
| OD6025-12H * | 4500 | 24 | 35 | 12 | 2.8 | 0.23 | 0.20 |
| OD6025-12M * | 3500 | 18 | 27 | 12 | 1.7 | 0.14 | 0.11 |
| OD6025-12L * | 2500 | 13 | 18 | 12 | 1.0 | 0.08 | 0.07 |
| OD6025-24HH * | 5100 | 28 | 40 | 24 | 3.9 | 0.16 | 0.24 |
| OD6025-24H * | 4500 | 24 | 35 | 24 | 3.5 | 0.15 | 0.20 |
| OD6025-24M * | 3500 | 18 | 27 | 24 | 1.9 | 0.08 | 0.11 |
| OD6025-24L * | 2500 | 13 | 18 | 24 | 1.0 | 0.06 | 0.07 |
| OD6025-48H* | 4200 | 28 | 30 | 48 | 3.4 | 0.07 | 0.24 |

* Indicate "B" for ball bearing or "S" for sleeve bearing