

**xDSL Transformer**

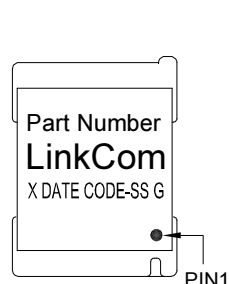
- Designed to meet UL 60950-1 and IEC 60950-1 requirements for supplementary insulation
- RoHS Compliant
- Operating Temperature -40°C to 85°C

**Electrical Specifications @25°C**

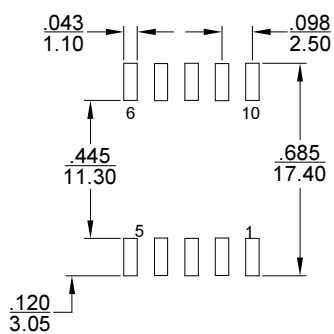
Inductance	PIN 1-4 = 400uH ±7% @ 10KHz/0.1V/Series (PIN 2-3 Short)
Leakage Inductance	PIN 1-4 = 1.2uH Ref. @ 1MHz/0.1V (PIN 2-3, PIN 7-8-9-10 Short)
Turn Ratio	PIN 1-4 : PIN 10-7 = 2.0±2% : 1 (PIN2-3,PIN8-9 Short)
T.H.D.	PIN 1-4 to PIN 10-7= -87dB Ref. @ 30KHz/3V (PIN 2-3,PIN 8-9 Short)
D.C.R	PIN 1-4 = 1.50 ohm Max. (PIN2-3 short)
	PIN 10-7 = 1.25 ohm Max. (PIN8-9 short)
Hi-POT	PRI. – SEC. =3750VAC/2Seconds/1mA

**Dimensions**

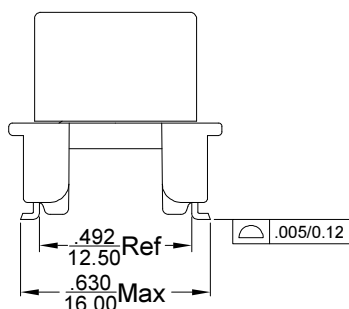
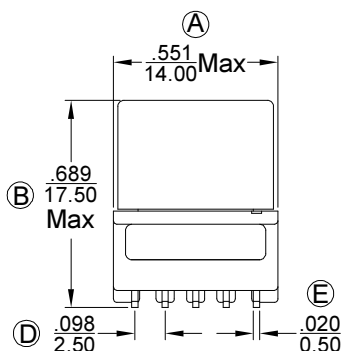
(Units:  $\frac{\text{Inches}}{\text{mm}}$  , Unless otherwise specified, all tolerances are  $\pm\frac{.010}{0.25}$  )



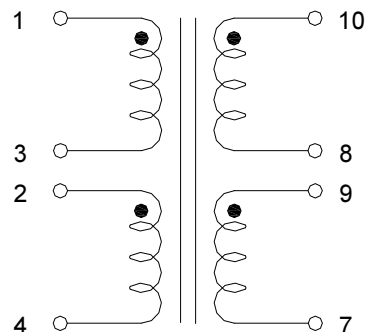
TOP VIEW



SUGGESTED PAD LAYOUT



**Schematic**



**Mark**

1. Part Number----LAL0562
2. X----PRODUCT LINE OR BLANK
3. DATE CODE----YYWW
4. SS----80
5. G----RoHS