

Model NO.	LCVE-060■240	Model Name	LED Power Supply
Part NO.	PLCVE0060■240	SIZE	170 * 53 * 32 mm 【6.69 * 2.09 * 1.26 inch】



FEATURES

- ◆ AC Input 90~305Vac
- ◆ Protection: SCP / OVP / OTP / OCP
- ◆ High Operating ambient Temp: -20°C ~ +60°C
- ◆ Power Factor:>0.98@115Vac;>0.92@230Vac;@full load
- ◆ Safety: Meet UL / Meet TUV
- ◆ EMC: Meet CE / FCC
- ◆ Comply with Indoor/Outdoor Waterproof (IP 67)
- ◆ Dimension (L*W*H): 170 * 53 * 32 mm
- ◆ Dimension (L*W*H): 6.69 * 2.09 * 1.26 inch
- ◆ ROHS Compliant

Module : LCVE-060■240

*,# =SEE NOTES BELOW

*(9)	MODEL	LCVE-060■240		
		min.	nom.	max.
	SPECIFICATION			
	DC OUTPUT VOLTAGE (V)		24	
*	PRESET ACCURACY (%) *(8)		1	
*	OUTPUT CURRENT(A) *(5)		2.5	
*	O/P NOISE (P-P, mV) *(3)		240	
*	LINE REGULATION (%) *(7)		1	
*	LOAD REGULATION (%) *(6)		1	
	DC OUTPUT POWER		60 W	
	EFFICIENCY(typ @Full Load)		87%	
	SETUP,RISE TIME(typ.)	1300ms,500ms at full load 115VAC/230VAC		
	HOLD UP TIME	> 25ms at full load 115VAC/230VAC		
	INPUT VOLTAGE RANGE	90-305VAC, 127-431VDC, Normal : 100-277VAC		
	INPUT FREQUENCY	Range:47-63Hz, Normal : 50-60Hz		
	ACTIVE POWER FACTOR	PF>0.98 @115VAC, PF>0.92@230VAC at full load and rated output voltage		
	INRUSH CURRENT (typ)	COLD START 50A @ 230VAC		
	AC CURRENT	1A/115VAC		
	LEAKAGE CURRENT	<0.7mA/230VAC		
	SHORT CIRCUIT PROTECTION	The SCP and OVP will restart automatically after the fault condition is removed		
	OVER V, PROTECTION			
	OVER TEMP. PROTECTION	shut down and latch off o/p voltage , re-power on to recover		
	OVER CURRENT PROTECTION	130%~160% rated output power ; Hiccp mode		
*	OPERATING TEMP.*(4)	-20 to +60°C @full load		
	STORAGE TEMPERATURE	-40 to +80°C		
	RELATIVE HUMIDITY	10 to +90%, non-cond.		
	TEMP. COEFFICIENT	0.03% / °C (0-50°C, typ)		
	SAFETY	Meet UL879 & Meet UL60950-1 / Meet TUV EN61347-2-13		
	EMI	Meet CE EN55015 / FCC Part15		
	WITHSTAND VOLTAGE	I/P-O/P : 3.75KVAC, O/P-Grnd : 0.5KVAC, I/P-Grnd : 1.88KVAC		
	ISOLATION RESISTANCE	I/P-O/P, I/P-FG,O/P-FG :100M Ohms / 500VDC / 25°C / 70% RH		
	DIMENSIONS (L*W*H)	170 * 53 * 32 mm 【6.69 * 2.09 * 1.26 inch】		

NOTES: (1)All parameters not specially mentioned are measured 230VAC input.

(2)All specifications Typical @25°C, unless otherwise noted, at normal line and load.

(3)Ripple and Noise measured directly at pins/terminals at nom. load, 0.1uF bypass and 47uF electrolytic, pk-pk @20MHz bandwidth.

(4)Specified for free-air convection cooling.

(5)Minimum load is NOT required for proper operation .

(6)Load regulation measured from 20% to Full load.

(7)Line regulation measured from 100VAC to 277VAC.

(8)Preset accuracy measured at normal load, 120VAC input.

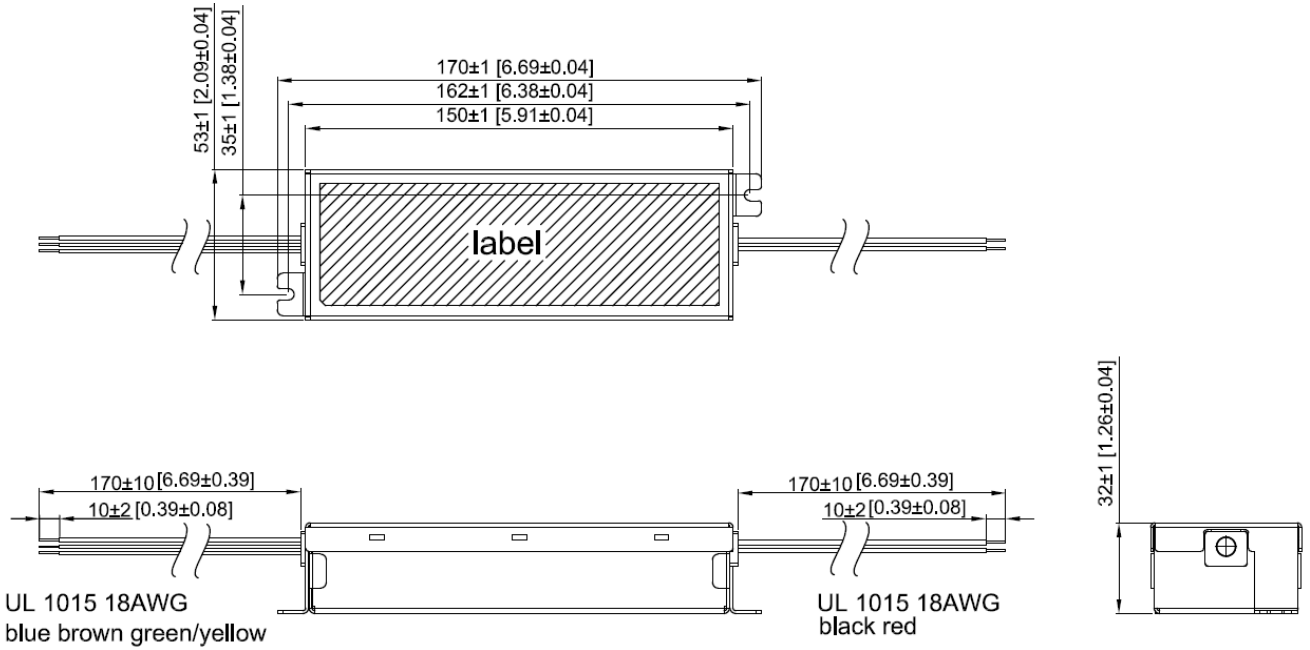
(9)100% Production Tested.

※Reference

www.linkcom.com.tw For more information, please contact with: sales@linkcom.com.tw

Model NO.	LCVE-060■240	Model Name	LED Power Supply
Part NO.	PLCVE0060■240	SIZE	170 * 53 * 32 mm 【6.69 * 2.09 * 1.26 inch】

Dimensions



Unit : mm 【inch】

※Reference