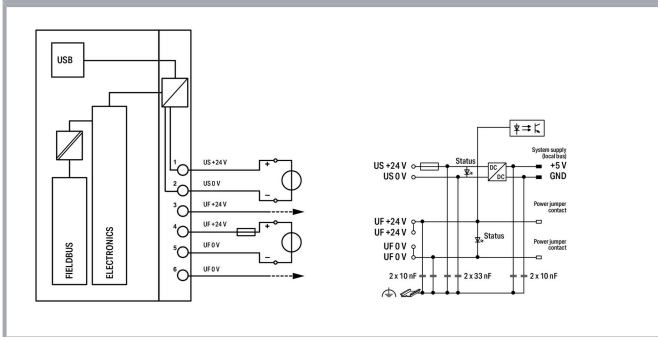
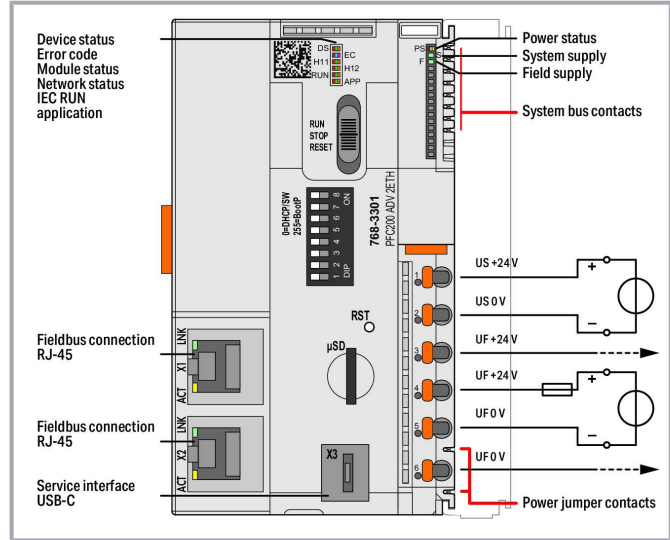




Color:



Subject to changes. Please also observe the further product documentation!

WAGO Kontakttechnik GmbH & Co. KG
 Hansastr. 27
 32423 Minden
 Phone: +49571 887-0 | Fax: +49571 887-169
 Email: info.de@wago.com | Web: www.wago.com

Do you have any questions about our products?
 We are always happy to take your call at +49 (571) 887-44222.



Item description

This controller is a compact PLC for the modular WAGO I/O System Advanced. The controller supports all I/O modules found within the WAGO I/O System Advanced Series in addition to network and fieldbus interfaces.

Two ETHERNET interfaces and an integrated switch enable line topology wiring.

The DIP switch configures the last byte of the IP address and may be used for IP address assignment.

An integrated Webserver provides user configuration options, while displaying the controller's status information.

Typical applications for this controller include standard machinery and equipment control (e.g., packaging, bottling and manufacturing systems, as well as textile, metal and wood processing machines).

Advantages:

- Programming per IEC 61131-3
- Programmable via *e!COCKPIT*
- 2 x ETHERNET (configurable)
- Configuration via *e!COCKPIT* or Web-Based-Management user interface
- Maintenance-free

Data

Technical data

Communication	Modbus (TCP, UDP)
ETHERNET protocols	DHCP DNS NTP FTP FTPS SNMP HTTP HTTPS SSH
Visualization	Web Visu
Operating system	Real-time Linux (with RT-Preempt patch)
CPU	Cortex A8; 1 GHz
Programming languages per IEC 61131-3	Instruction List (IL) Ladder Diagram (LD) Function Block Diagram (FBD), Continuous Function Chart (CFC) Structured Text (ST) Sequential Function Chart (SFC)
Programming environment	<i>e!COCKPIT</i> (based on CODESYS V3)
Configuration options	<i>e!COCKPIT</i> Web-Based Management

Subject to changes. Please also observe the further product documentation!



	e!RUNTIME Library CODESYS Library
Baud rate (communication/fieldbus 1)	10/100 Mbit/s
Baud rate	10/100 Mbit/s
Transmission medium (communication/fieldbus)	Twisted Pair S-UTP; 100 Ω; Cat. 5; 100 m maximum cable length
Main memory (RAM)	512 MB
Internal memory (flash)	4096 MB
Non-volatile hardware memory	64 Kbytes
Program memory	32 MB
Data memory	128 MB
Non-volatile software memory	64. Kbytes
Memory card type	microSD up to 32 GB (all guaranteed properties only valid with WAGO's memory card)
Memory card slot	Push-push mechanism
Number of modules per node (max.)	250
Input and output (internal) process image (max.)	1000 Worte/1000 Worte
Input and output (MODBUS) process image (max.)	e!RUNTIME: 1000 Worte/1000 Worte
Indicators	LED (DS, H11, H12, RUN, APP) red/green/orange: Device status, module status, network status, IEC RUN, application; LED (EC) red /blue/magenta: Error; LED (S, F) green: System supply, field supply
Supply voltage (system)	24 VDC, SELV (-25 ... +30 %); US
Power supply efficiency (typ.) at nominal load (24 V)	95 %
Power consumption – system supply (power supply) at max. local bus supply	850 mA
Power consumption – system supply (power supply) without local bus supply	180 mA
Total current for system supply (local bus) max.	3,000 mA
Supply voltage (field)	24 VDC, SELV (-25 ... +30 %); UF
Current carrying capacity (power jumper contacts)	12 A
Current carrying capacity (power jumper contacts) note	Requires external fusing (12.5 A fast) of the field supply
Number of outgoing power jumper contacts	2
Power loss P_I	4.8 W
Isolation (field/system)	min. 1000 VDC (1 min); per EN/UL 61010-2-201
Marking	CI I, Div 2, Group A, B, C, D, T4

Connection data

Connection technology: communication/fieldbus	Modbus TCP/UDP: 2 x RJ-45
Connection technology: system supply	2 x Push-in CAGE CLAMP®

Subject to changes. Please also observe the further product documentation!



Connection technology: field supply	4 x Push-in CAGE CLAMP®
Connection type (1)	System/field supply
Solid conductor	0.25 ... 2.5 mm ² / 22 ... 14 AWG
Fine-stranded conductor	0.25 ... 2.5 mm ² / 22 ... 14 AWG
Strip length	8 ... 9 mm / 0.31 ... 0.35 inch
Connection technology: device configuration	1 x Service interface USB-C

Physical data

Width	63 mm / 2.48 inch
Height	105 mm / 4.134 inch
Depth	75 mm / 2.953 inch

Mechanical data

Weight	197 g
Conformity marking	CE

Environmental requirements

Surrounding air temperature (operation)	-25 ... 60 °C (horizontal, typical control cabinet installation; -25 ... +50 °C, other mounting positions)
Surrounding air temperature (storage)	-40 ... 85 °C
Temperature range of the connecting cable according to EN 61010-2-201	$\geq (T_{\text{surrounding air}} + 25 \text{ K})$
Temperature range of connecting cable per UL 61010-2-201 (min.)	85 °C
Protection type	IP20
Pollution degree (5)	2
Operating altitude	without temperature derating: 0 ... 2000 m; with temperature derating: 2000 ... 3000 m (0.5 K/100 m)
Relative humidity (without condensation)	95 %
Mounting position	horizontal, typical for control cabinets (nominal mounting position); horizontal (floor mounting position); standing (vertical at bottom)
Mounting type	DIN-35 rail
EMC immunity to interference	per EN 61000-6-1, -2
EMC emission of interference	per EN 61000-6-4
Fire load	0.459 MJ

Commercial data


PU (SPU)	1 Stück
----------	---------

Subject to changes. Please also observe the further product documentation!


Country of origin	DE
GTIN	4055143975476
Customs tariff number	85371091990

Approvals / Certificates

Ex-Approvals

Logo	Approval	Additional Approval Text	Certificate name
	UL Underwriters Laboratories Inc. (HAZARDOUS LOCATIONS)	UL 121201	E198726

UL-Approvals

Logo	Approval	Additional Approval Text	Certificate name
	UL Underwriters Laboratories Inc. (ORDINARY LOCATIONS)	UL 61010-2-201	E175199

Optional accessories

Software

Basic version



Item no.: 2759-101/1110-2002
e!COCKPIT; Workstation License

www.wago.com/2759-101/1110-2002

Marking accessories

Marker



Item no.: 2009-141
Micro-WSB-Inline; 2000 pieces on roll; plain; snap-on type; white

www.wago.com/2009-141

Memory card

Memory card



Item no.: 758-879/000-3102
Memory Card SD Micro; 2 GByte

www.wago.com/758-879/000-3102



Item no.: 758-879/000-3108
Memory Card SD Micro; pSLC-NAND; 8 GB; Temperature range: -40 to 90°C

www.wago.com/758-879/000-3108

Subject to changes. Please also observe the further product documentation!



Downloads

Documentation

System Description

I/O-System Advanced General Product Information		pdf 301.8 kB	Download
---	--	-----------------	----------

Additional Information

WAGO OPC UA Server	V 1.1.0 2021. 1. 28.	pdf 1.2 MB	Download
--------------------	-------------------------	---------------	----------

Environmental Product Compliance

Compliance Search

Environmental Product Compliance 768-3301 Controller; 2 x ETHERNET		URL	Download
---	--	-----	----------

Installation Notes

Product family

I/O System Advanced
[Show all products from the family](#)

Subject to changes. Please also observe the further product documentation!