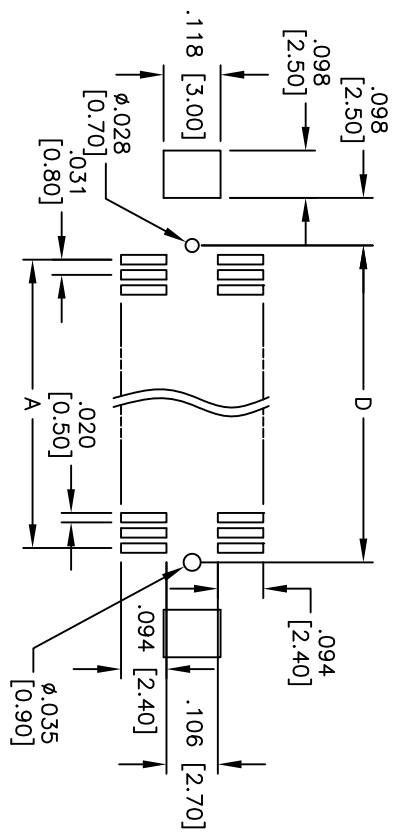
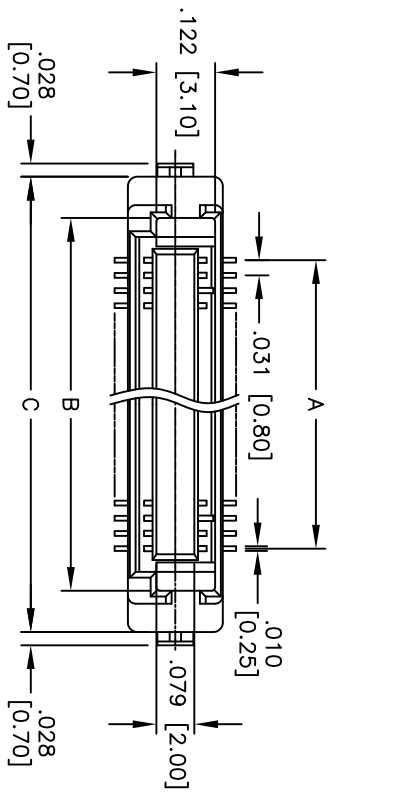
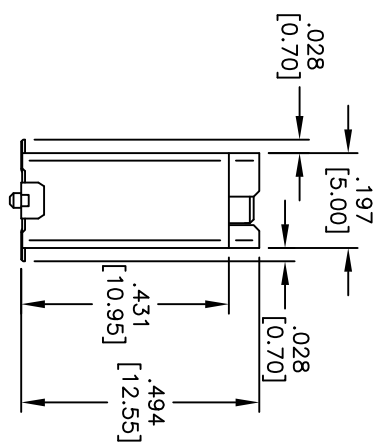
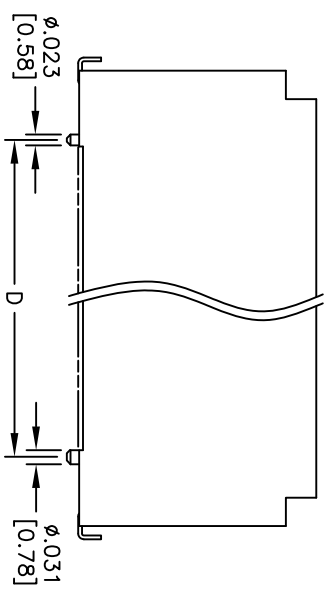


Rev	AWO #	Description	Date	Appr
-		RELEASED	8/21/09	

APPROVED: _____
 DATE: _____ TITLE: _____



RECOMMENDED PCB LAYOUT



SPECIFICATIONS:

Material:
 Insulator: Hi-temp thermoplastic, rated UL 94V-0
 Insulator color: Black
 Contacts: Copper Alloy
 Hold down: Copper Alloy
 Plating:
 Gold flash over Nickel underplate on contact area,
 Tin over Copper underplate on tails.
Electrical:
 Operating voltage: 200 VAC max
 Current rating: 0.5 Amps max
 Contact resistance: 70 mohms max. initial
 Insulation resistance: 100 Mohms min

Positions: 20, 30, 40, 50, 60
 A = .031 [0.80] x (No. of Contacts - 1)
 B = .031 [0.80] x (No. of Contacts - 1) + .175 [4.45]
 C = .031 [0.80] x (No. of Contacts - 1) + .346 [8.80]
 D = .031 [0.80] x (No. of Contacts - 1) + .059 [1.50]

ADAM TECH

909 Rahway Avenue, Union, NJ 07083
 Phone: 908-687-5000 Fax: 908-687-5710

TITLE
 .031 [0.80] BOARD TO BOARD SOCKET
 12.55 MM HEIGHT, SMT TYPE

Environmental:
 Lead free, RoHS compliant
 Recommended soldering temp: 260°C for 5 seconds



UNLESS OTHERWISE SPECIFIED ALL DIMENSIONS ARE INCHES [MM]	
TOLERANCES EXCEPT AS NOTED	
INCHES	HILES
.X ± .10	ØXX ± .10
.XX ± .020	ØXXX ± .015
.XXX ± .015	ØXXXX ± .010
APPROVALS	
DRAWN	DY
CHECKED	
APPROVED	
DATE	8/21/09

REF: S0028T	SCALE: NTS	SHEET 1 OF 1
SIZE X	PART NO. BBS-S6-XX-SG	REV. -