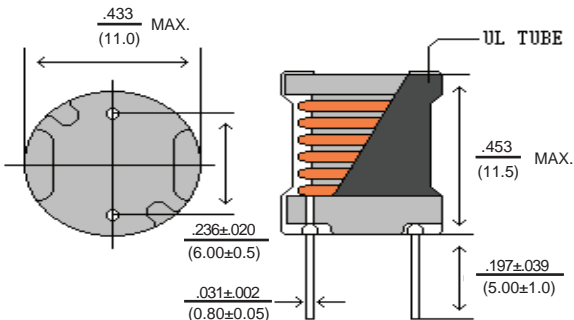


# RB1010 Radial Bobbin Inductors



Dimensions:  $\frac{\text{Inches}}{\text{(mm)}}$



## Features

- Small Foot Print.
- Extensive Inductance Range
- UL Polyolefin Tubing

## Electrical

**Inductance Range:** 10uh ~ 18,000uh

**Tolerance:** 10% over entire range.

**Test Frequency:** 100KHz, .01V

**Operating Temperature:** -55°C to +125°C.

**Isat:** Based on Inductance change by no more than 10% of initial value.

**Irms:** Current at which the temperature of the part will increase by 20° and 40° as shown from 25° ambient.

Under no circumstances should the temperature of the part increase to more than 125°C

## Test Equipment

**Inductance:** HP4284A.

**DCR:** CH-301 Current Source & DCR Meter

**Current:** CH-301 Current Source & DCR Meter

**SRF:** 9461L

## Physical

**Packaging:** 600 pieces per bag.

**Marking:** EIA Inductance Code

Allied Part Number	Inductance (μh)	Tolerance (%)	DCR Max. (Ω)	SRF Min. (MHz)	Isat (A)	Irms (A)	
						20°C Rise	40°C Rise
RB1010-100K-RC	10	10	0.023	23	6.10	4.20	6.00
RB1010-120K-RC	12	10	0.025	20	5.60	4.00	5.70
RB1010-150K-RC	15	10	0.028	19	5.00	3.75	5.40
RB1010-180K-RC	18	10	0.030	16	4.60	3.50	5.00
RB1010-220K-RC	22	10	0.042	15	4.10	3.30	4.70
RB1010-270K-RC	27	10	0.046	12	3.70	3.00	4.40
RB1010-330K-RC	33	10	0.055	11	3.40	2.80	4.10
RB1010-390K-RC	39	10	0.075	10.3	3.10	2.60	3.80
RB1010-470K-RC	47	10	0.082	9.5	2.80	2.40	3.50
RB1010-560K-RC	56	10	0.090	8.6	2.60	2.20	3.20
RB1010-680K-RC	68	10	0.120	7.5	2.30	2.00	2.80
RB1010-820K-RC	82	10	0.140	7.0	2.10	1.90	2.50
RB1010-101K-RC	100	10	0.150	7.0	1.90	1.70	2.20
RB1010-121K-RC	120	10	0.210	6.0	1.75	1.60	2.10
RB1010-151K-RC	150	10	0.245	5.0	1.60	1.50	1.90
RB1010-181K-RC	180	10	0.300	5.0	1.45	1.40	1.80
RB1010-221K-RC	220	10	0.360	4.3	1.30	1.30	1.70
RB1010-271K-RC	270	10	0.490	4.0	1.20	1.20	1.60
RB1010-331K-RC	330	10	0.540	3.5	1.10	1.00	1.40
RB1010-391K-RC	390	10	0.620	3.0	1.00	0.90	1.30
RB1010-471K-RC	470	10	0.810	3.0	0.90	0.80	1.20
RB1010-561K-RC	560	10	0.92	2.3	0.80	0.70	1.05
RB1010-681K-RC	680	10	1.20	2.0	0.75	0.60	0.93
RB1010-821K-RC	820	10	1.35	2.0	0.68	0.55	0.80
RB1010-102K-RC	1000	10	1.45	2.0	0.60	0.50	0.67
RB1010-122K-RC	1200	10	2.10	1.6	0.55	0.47	0.63
RB1010-152K-RC	1500	10	2.40	1.4	0.50	0.44	0.59
RB1010-182K-RC	1800	10	3.50	1.3	0.45	0.41	0.55
RB1010-222K-RC	2200	10	4.10	1.3	0.41	0.38	0.50
RB1010-272K-RC	2700	10	5.20	1.2	0.37	0.35	0.47
RB1010-332K-RC	3300	10	6.00	1.0	0.34	0.32	0.43
RB1010-392K-RC	3900	10	7.00	0.9	0.31	0.29	0.39
RB1010-472K-RC	4700	10	8.50	0.8	0.28	0.25	0.35
RB1010-562K-RC	5600	10	10.0	0.8	0.26	0.23	0.30
RB1010-682K-RC	6800	10	13.0	0.7	0.23	0.19	0.26
RB1010-822K-RC	8200	10	15.8	0.6	0.21	0.16	0.22
RB1010-103K-RC	10000	10	19.0	0.6	0.19	0.13	0.18
RB1010-123K-RC	12000	10	22.0	0.5	0.17	0.12	0.17
RB1010-153K-RC	15000	10	29.0	0.5	0.16	0.11	0.15
RB1010-183K-RC	18000	10	33.0	0.4	0.14	0.10	0.13

All specifications subject to change without notice.