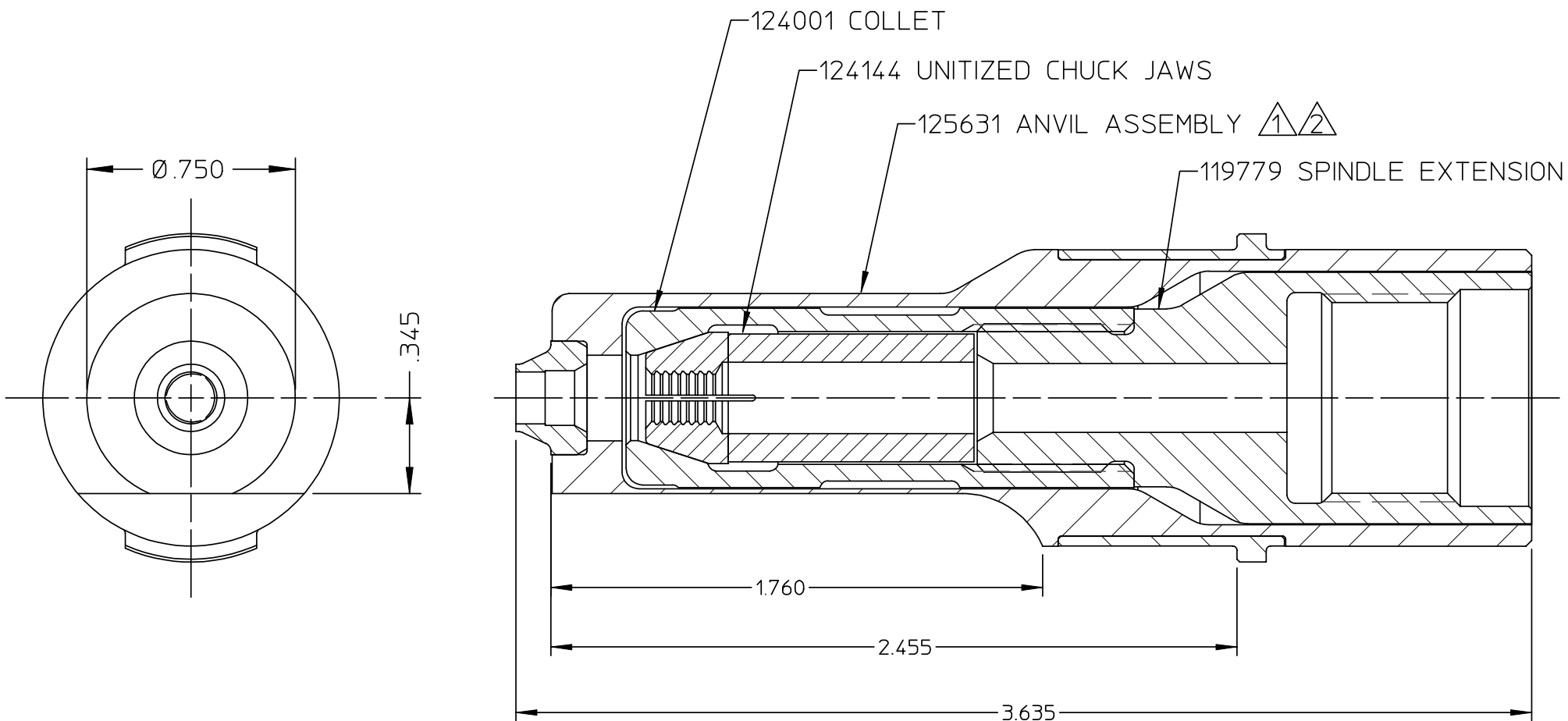


DATA SHEET



Alcoa Fastening Systems

Commercial Products
1 Corporate Drive, Kingston, NY 12401

TYPE:	NON-SELF-RELEASING
FASTENER:	-08 BR
TOOL(S):	245, 246, 353, 2502, 2503, 2580
Notes:	Product Revision: A
US Patent:	Date: 07/08/03

99-2746

Part Number

NOTES:

- ① ANVIL ASSEMBLY 125631 CONSISTS OF:
ANVIL HOLDER ASSEMBLY 125051 AND
ANVIL INSERT 119381.
- ② ANVIL HOLDER ASSEMBLY 125051 CONSISTS OF:
ANVIL HOLDER 125050 AND
RETAINER 120737.