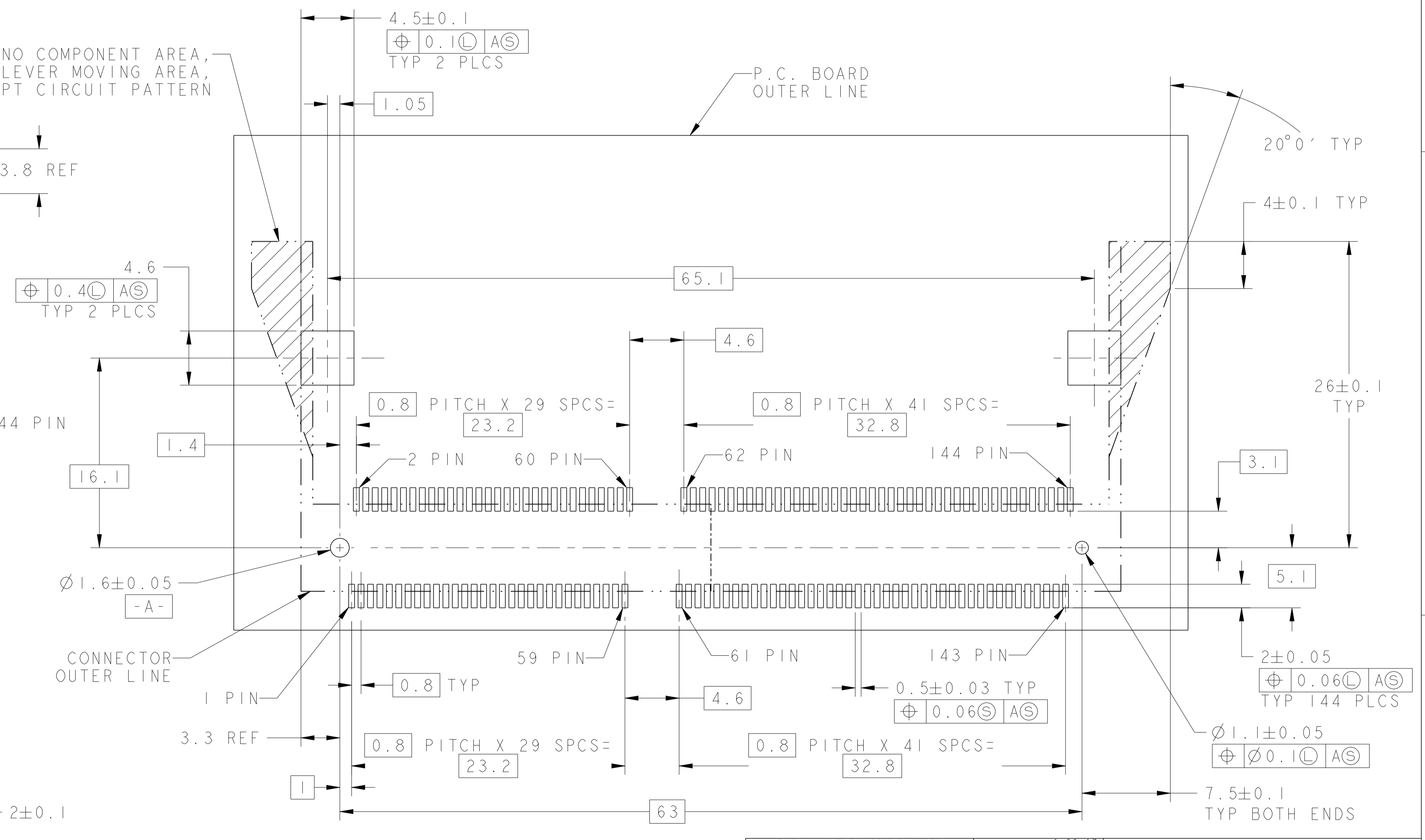
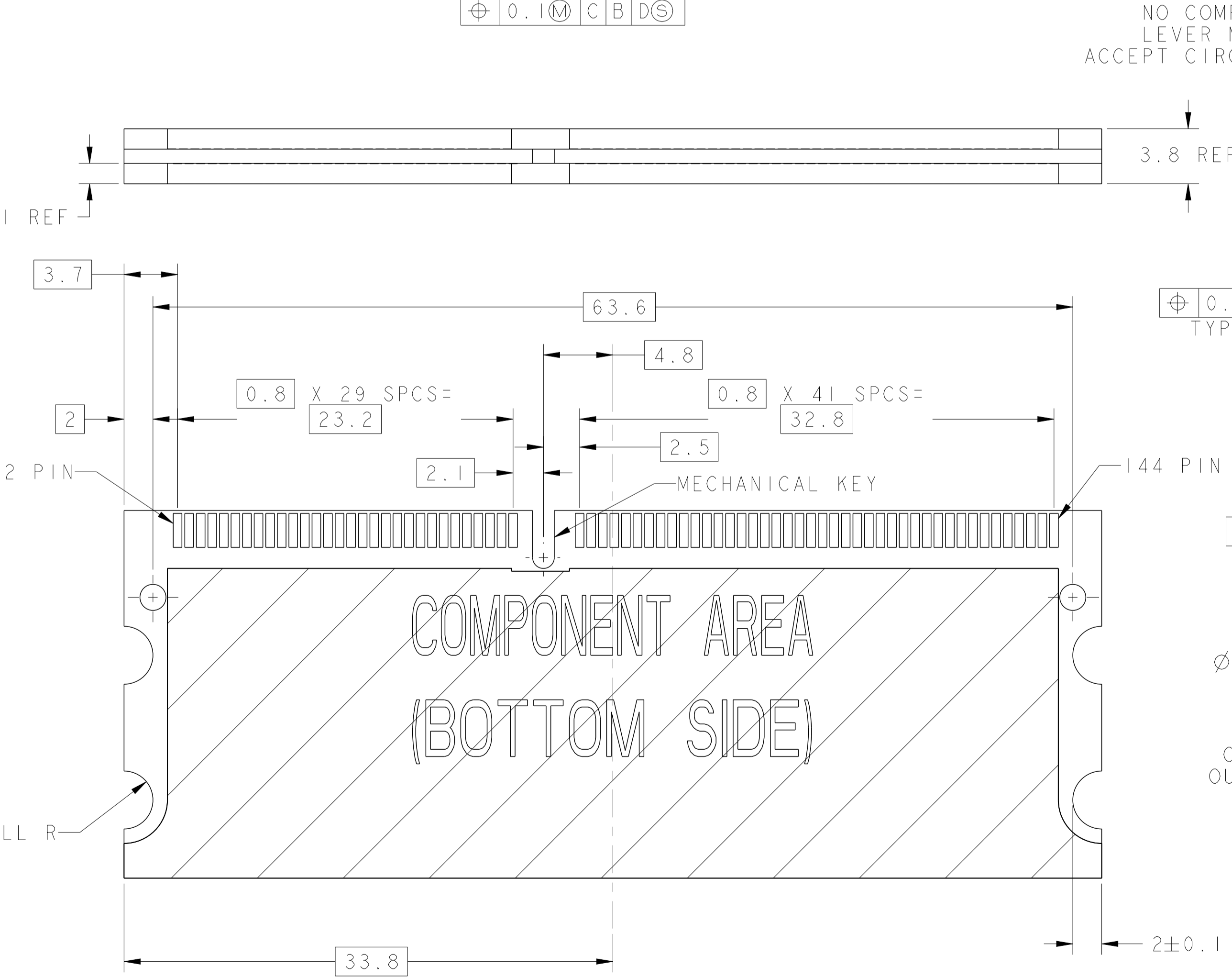
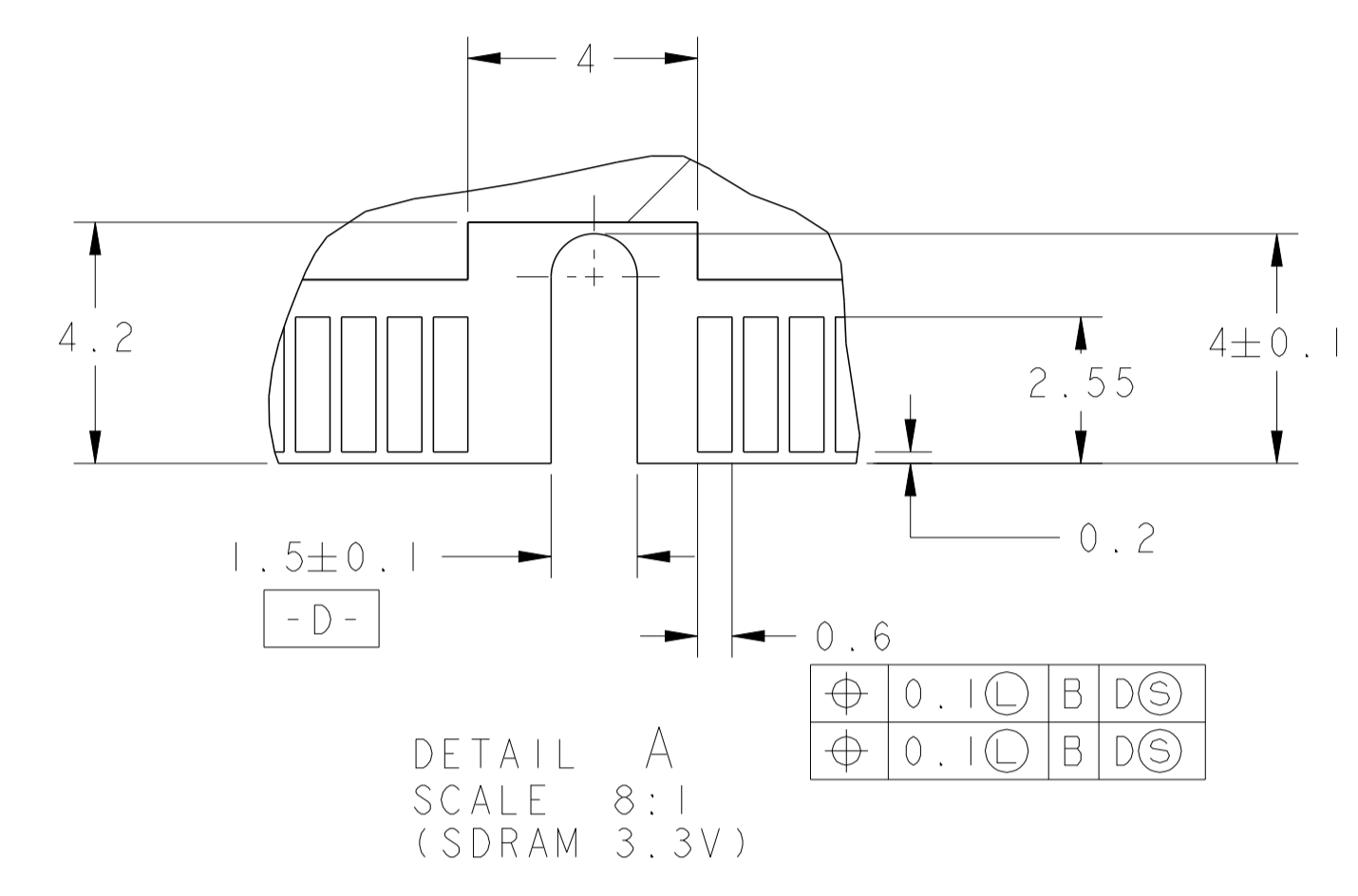
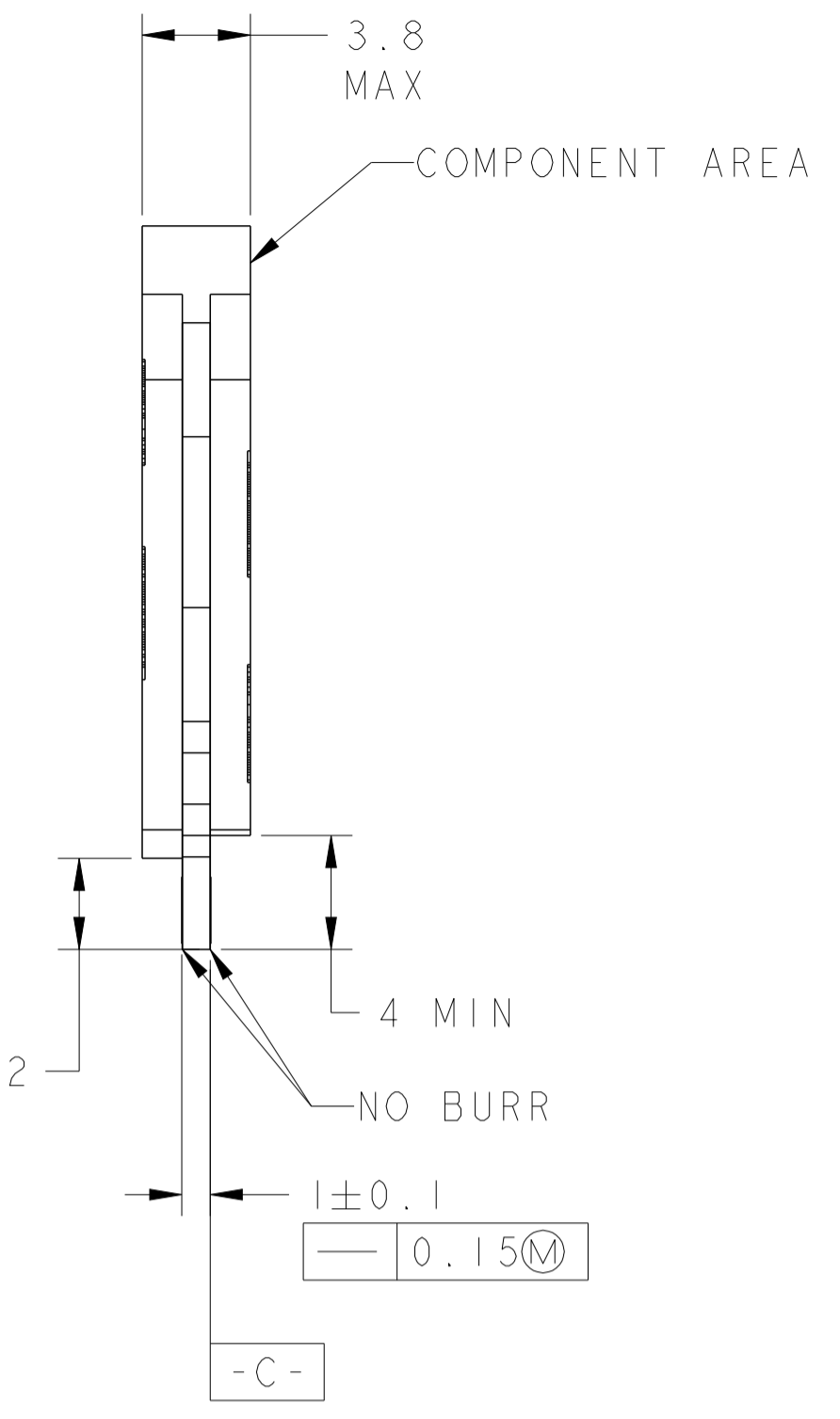
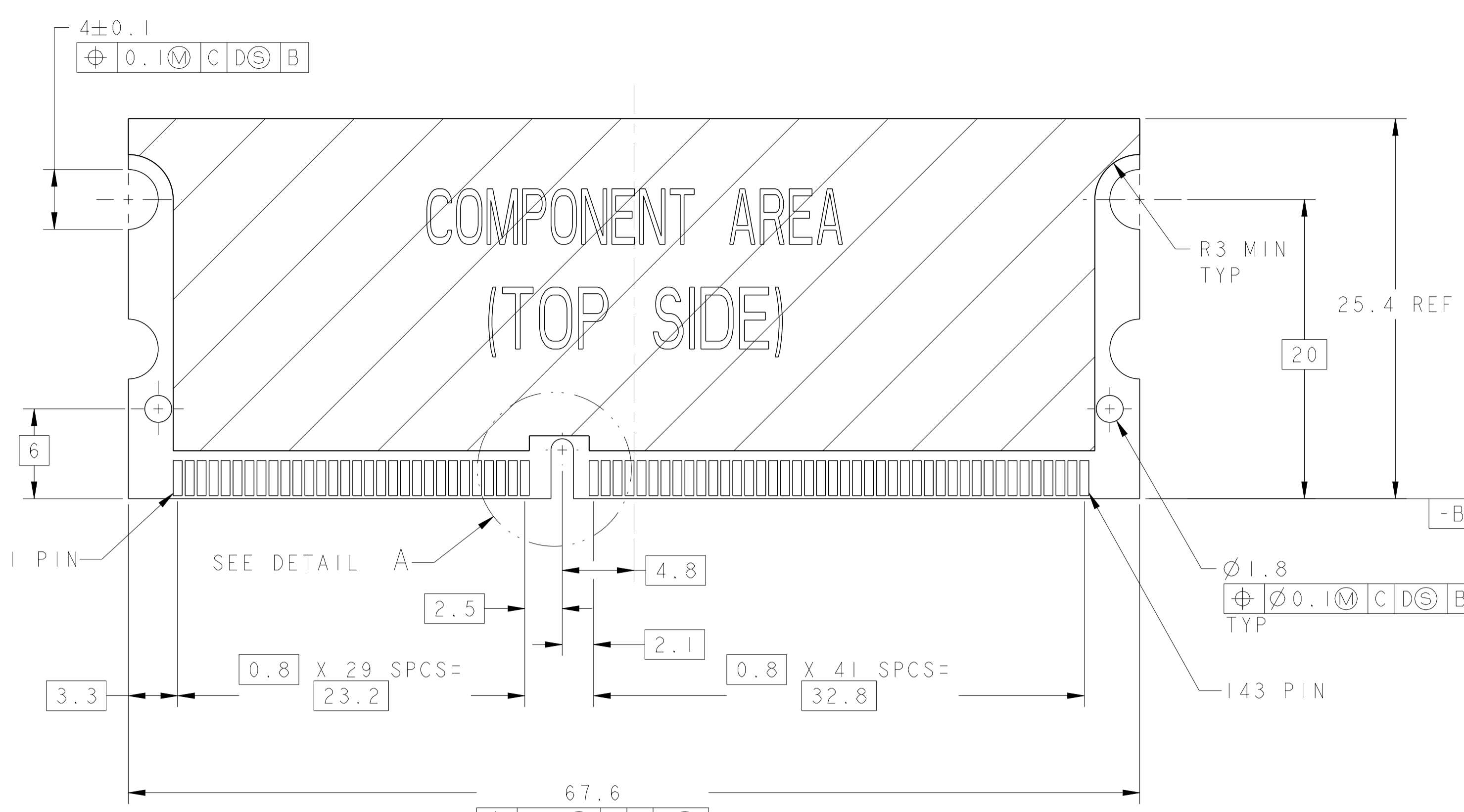


- 1 MATERIAL, HIGH TEMPERATURE PLASTIC, UL94V-0
CONTACT: COPPER ALLOY
LATCH: STAINLESS STEEL, TIN PLATING.
- 2 FINISH; CONTACT AREA: 0.00025 MIN GOLD PLATE ON 0.001 MIN ALL OVER NICKEL
SOLDERING AREA: 0.00005 MIN TO 0.00030 MAX GOLD PLATE
- 3. TOLERANCES NON-ACCUMULATIVE.
- 4 PACKAGED IN HARD TRAY.
- 5 FINISH; CONTACT AREA: 0.00025 MIN GOLD PLATE ON 0.001 MIN ALL OVER NICKEL
SOLDERING AREA: BRIGHT TIN LEAD PLATE.
- 6 PART PACKAGED PER EIA-18704 STANDARD. REEL DIAMETER SHALL BE 330mm, TAPE WIDTH SHALL BE 88mm, AND TAPE PITCH SHALL BE 36mm.
- 7 LATCH PLATING: TIN-LEAD FOR P/N: 8-390112-1 ONLY (IDENTICAL TO PREVIOUS P/N: 390112-1)
- 8 DATE CODE (4-DIGITS), LOCATED AS SHOWN. TO BE INTERPRETED AS FOLLOWS:
DIGIT # 1 - LAST DIGIT OF YEAR.
DIGITS # 2 AND # 3 - CALENDAR WEEK.
DIGIT # 4 - DAY OF THE WEEK (WITH SUNDAYS AS DAY 1).

| SUPERSEDED BY | REMARKS | COLOR | FINISH | POS | PART NO. |
|---------------|---------------|---------|--------|-----|------------|
| NIL | AVAILABLE | NATURAL | 1 | 144 | 8-390112-1 |
| NIL | AVAILABLE | BLACK | 2 | 144 | 7-390112-1 |
| NIL | AVAILABLE | NATURAL | 2 | 144 | 6-390112-1 |
| 3-390112-1 | NOT AVAILABLE | NATURAL | 5 | 144 | 3-390112-4 |
| NIL | AVAILABLE | NATURAL | 2 | 144 | 3-390112-1 |
| 390112-1 | NOT AVAILABLE | NATURAL | 5 | 144 | 390112-4 |
| NIL | AVAILABLE | NATURAL | 2 | 144 | 390112-1 |

| | | | | | | | | | | | |
|---------------------|--|--|--|----------------------|--|------------------------|--|----------------------|--|--|--|
| DIMENSIONS: mm | | TOLERANCES UNLESS OTHERWISE SPECIFIED: | | DW: W. SORAH 6-23-97 | | CHK: ALAN ANG 01-21-02 | | APD: SE LEONG | | NAME: S.O. DIMM SOCKET ASSY, 0.8mm, 3.3V, 144 POSITION, HIGH PROFILE FOR SDRAM TYPE MODULE | |
| 0 PLC ±0.2 | | 1 PLC ±0.2 | | 2 PLC ±0.2 | | 3 PLC ±0.2 | | 4 PLC ±0.2 | | SIZE: A1 | |
| MATERIAL: SEE TABLE | | FINISH: SEE TABLE | | WEIGHT: - | | CAGE CODE: 00779 | | DRAWING NO: C=390112 | | RESTRICTED TO: - | |
| SCALE: 4:1 | | SHEET: 1 of 2 | | REV: R1 | | CUSTOMER DRAWING | | | | | |



| | | | | | | | | | | | |
|---------------------|--|--|--|-------------------------|--|-----------------------|--|--------------------|--|--|--|
| DIMENSIONS: mm | | TOLERANCES UNLESS OTHERWISE SPECIFIED: | | DRAWN: W. SORAH 6-23-97 | | CHK: ALAN ANG 1-21-02 | | APPROVED: SE LEONG | | NAME: S.O. DIMM SOCKET ASSY, 0.8mm, 3.3V, 144 POSITION, HIGH PROFILE FOR SDRAM TYPE MODULE | |
| MATERIAL: SEE TABLE | | FINISH: SEE TABLE | | SIZE: 114-1114 | | CAGE CODE: 00779 | | DRAWING NO: 390112 | | RESTRICTED TO: - | |
| CUSTOMER DRAWING | | SCALE: 4:1 | | SHEET: 2 OF 2 | | REV: R1 | | DATE: - | | BY: - | |