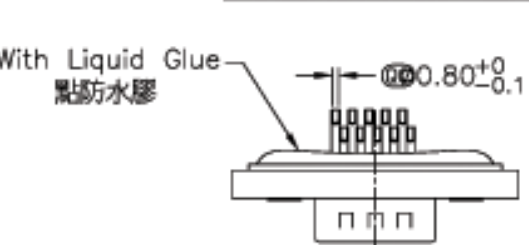
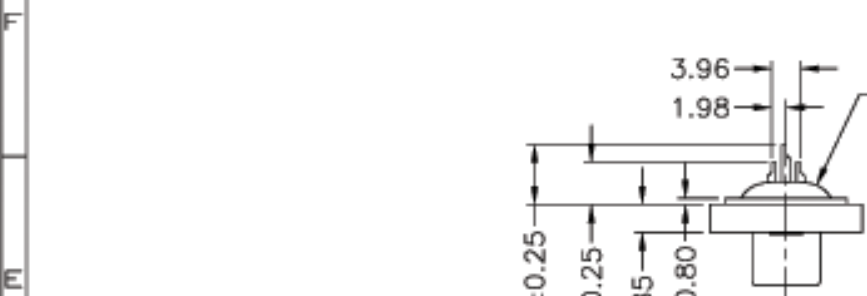


REV.	CON. NO.	DATE	DRW.	DESCRIPTION

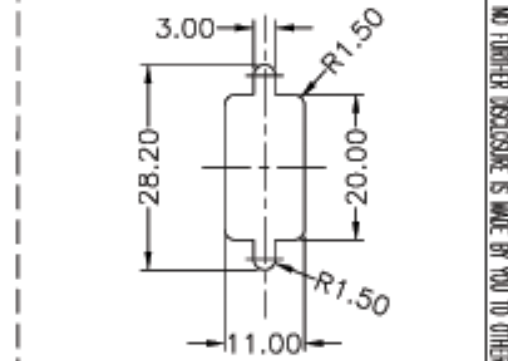
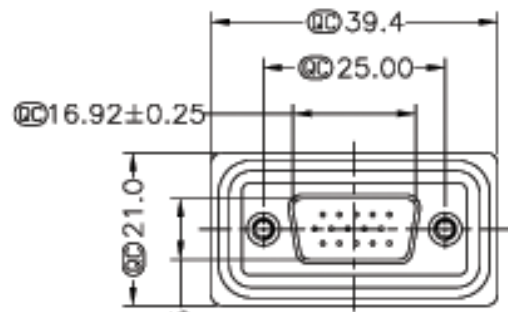
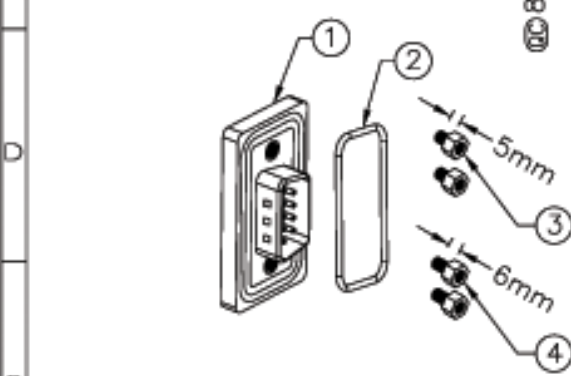


Panel Thickness
面板厚度

X(Max.)

Screw L=5.0 For Panel Thickness Under 1.2mm
適用板厚為 1.2mm 以下

Screw L=6.0 For Panel Thickness Between 1.2~2.0mm
適用板厚為 1.2~2.0mm



- Note:
- * @C Important Dimension. (@C為重點尺寸)
 - * Waterproof Rate : IP67
 - * Connector:Black,Nylon+GF
 - * Pin:Copper Alloy,Gold Plated
 - * Do Mating Test After Glued
點膠後,須作對插測試
 - * Applicable Wire Range: 24AWG-28AWG
適用電線範圍: 24AWG-28AWG
 - * 注意LOGO為④

UNIT:mm		TITLE D-SUB,HD,HD-15PMMS
TOLERANCE JX ±0.25 JXX ±0.1 JXXX ±0.05 ANGLES ±1°	SCALE Free	SHEET 1 OF 1
REV. 01	SIZE A4	@C :inspection item



ITEM NO A-HDS-15-LL-WP	DRAWN BY Gao Ling	DATE 2006/05/06
DWG NO A-HDS-15-LL-WP	CHECKED BY Robert Hsu	DATE 2006/05/30
	APPROVED BY Max	DATE 2006/06/02

THIS INFORMATION IS CONFIDENTIAL AND IS DISCLOSED TO YOU ON CONDITION THAT NO FURTHER DISCLOSURE IS MADE BY YOU TO OTHER THAN THE PERSONNEL WITHOUT AUTHORIZATION FROM LITE CORP.