


02 0250

Quicklock circular connectors, IP67



Quicklock plug with locking latch, IP67, size 12, straight version, with plastic housing and solder terminals

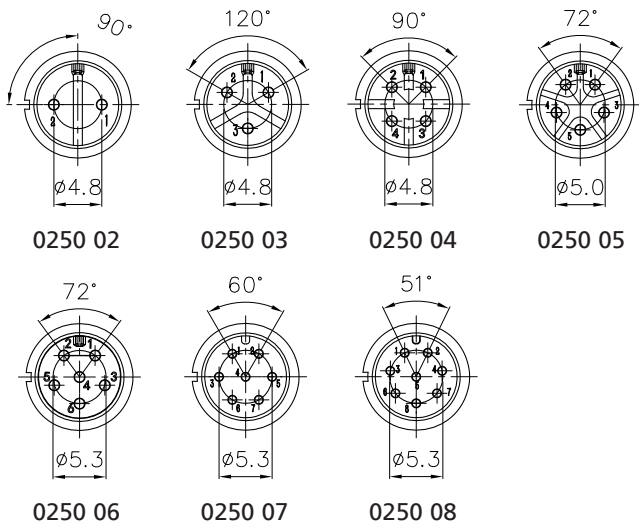
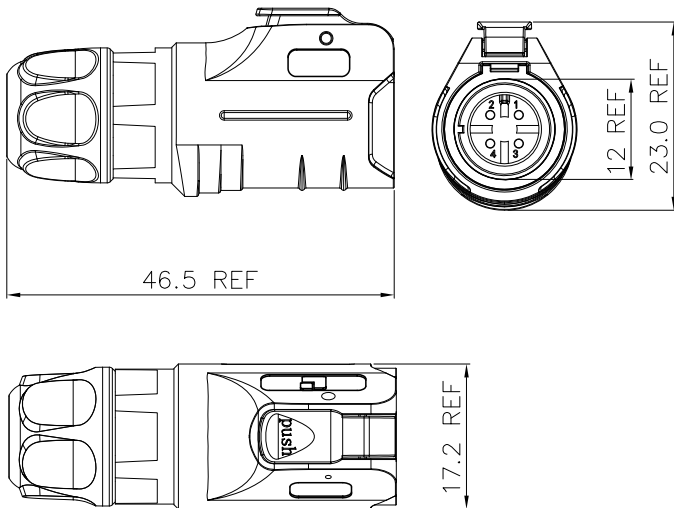
---

Approvals: 

---

02 0250

**Pin configurations, mating side view**



**Environmental conditions**

Temperature range -40 °C/+80 °C

**Materials**

Insulating body	PBT, V-0 according to UL94
Contact pin	CuZn, gold-plated
Housing	PBT, V-0 according to UL94 F1 according to UL 746C, outdoor suitability (UV-light, immersion)
Locking	Zn-alloy, chrome-plated
Cap nut	PBT, V-0 according to UL94, F1 according to UL 746C

**Mechanical data**

Protection class IP67<sup>1</sup>

<sup>1</sup> only in locked condition with an appropriate counterpart



**Connectable conductors for solder area**

Section	0.34–0.75 mm <sup>2</sup> /AWG 22–20 (2–6 poles) 0.25–0.34 mm <sup>2</sup> /AWG 24–22 (7–8 poles)
Cable diameter	3.0–6.0 mm

**Electrical data (at T<sub>amb</sub> 20 °C)**

Contact resistance	≤ 10 mΩ
Rated current	5 A (2–6 poles) 3 A (7–8 poles)
Rated voltage	125 V
Rated impulse voltage	1500 V AC
Creepage distance	≥ 1,5 mm
Clearance	≥ 0,5 mm
Insulation resistance	> 500 MΩ

**Associated products**

Counterparts  
 0260  0270

Accessories  
 029012

02 0250

Designation	Pole Number	PU (Pieces)	MDQ (Pieces)
0250 02	2	15	60
0250 03	3	15	60
0250 04	4	15	60
0250 05	5	15	60
0250 06	6	15	60
0250 07	7	15	60
0250 08	8	15	60

**Packaging:**

in individual plastic bags, in a cardboard box