

# INTEGRATED CONNECTOR MODULES

## 10Base-T belMag™

BM00822

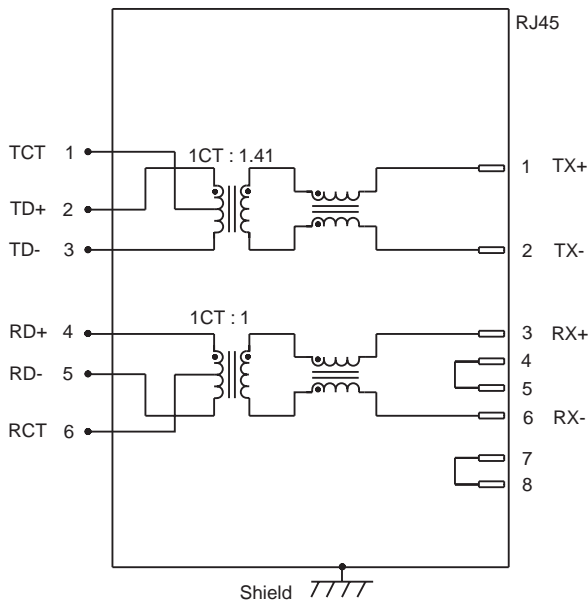
- Shielded connector with integrated 10Base-T magnetics
- Compatible with a variety of 10Base-T transceiver ICs
- Operating temperature 0° to +70° C
- Storage temperature -40° to +85° C
- Reduced pin count for improved crosstalk and optimum PCB trace routing
- Complies with IEEE 802.3 standards and all 10Base-T Ethernet standards
- Integrated design conserves valuable board space
- Minimum interwinding breakdown voltage of 1500 Vrms
- Adaptable, modular design provides higher reliability

### ELECTRICAL SPECIFICATIONS AT 25° C

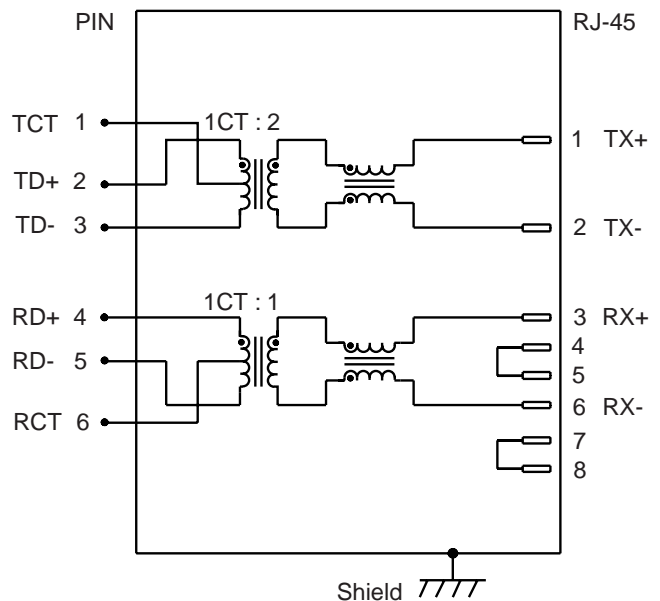
Part Number	Insertion Loss dB max	Return Loss dB min	Common to Common Mode Rejection dB min	Crosstalk dB min	OCL μH min
	1MHz to 10MHz	1MHz to 10MHz	10MHz to 30MHz	1MHz to 10MHz	
0811-1XX1-12	-1.0	-15	-40	-40	200
0811-1XX1-22	-1.0	-18	-30	-35	110

### SCHEMATIC

0811-1XX1-12



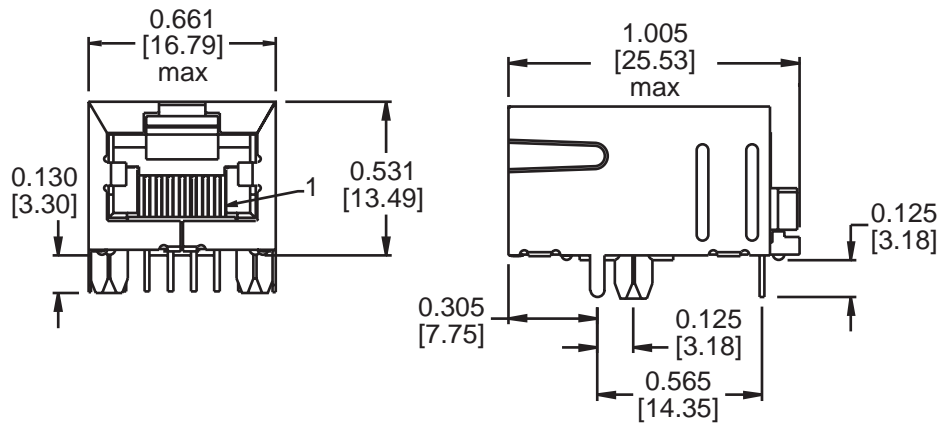
0811-1XX1-22



BM00822

### MECHANICAL

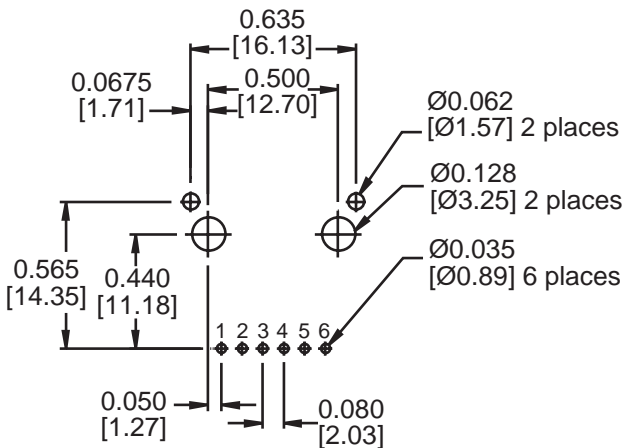
0811-1XX1-12  
0811-1XX1-22



Dimensions are in inches [millimeters].  
Standard dimension tolerance is  $\pm 0.010$  [0.25] unless otherwise noted.

### PAD LAYOUT

0811-1XX1-12  
0811-1XX1-22



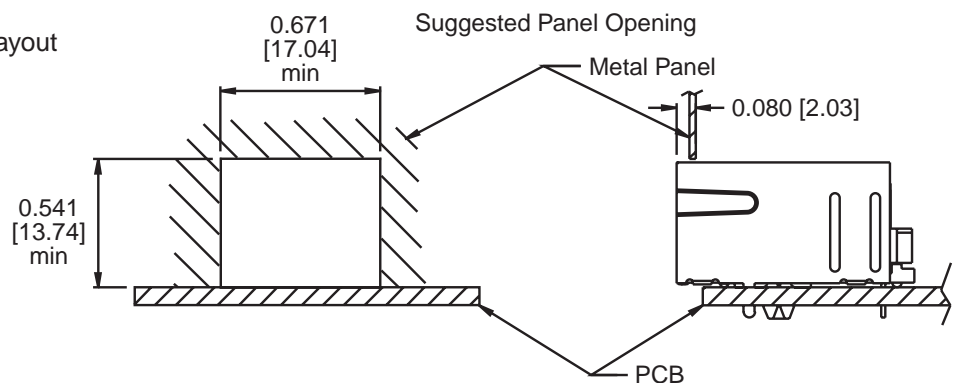
Suggested PCB Pad Layout

### Notes

- |                 |   |
|-----------------|---|
| Plastic Housing | Thermoplastic, flammability rating UL 94V-0 |
| Contacts        | 50 micro-inch hard gold plating             |
| Pins            | Tin-coated copper wire, DIA 0.018" [0.46]   |
| Solderability   | Per MIL Std. 202, Method 208                |
| Metal Shield    | Tin lead plated copper alloy                |

### Available Options

- Various transformer turns ratios



©2001 Bel Fuse Inc. Specifications subject to change without notice. 08.01

### CORPORATE

**Bel Fuse Inc.**  
206 Van Vorst Street  
Jersey City, NJ 07302  
Tel 201-432-0463  
Fax 201-432-9542  
www.belfuse.com

### FAR EAST

**Bel Fuse Ltd.**  
8F / 8 Luk Hop Street  
San Po Kong  
Kowloon, Hong Kong  
Tel 852-2328-5515  
Fax 852-2352-3706  
www.belfuse.com

### EUROPE

**Bel Fuse Europe Ltd.**  
Preston Technology Management Centre  
Marsh Lane, Suite G7, Preston  
Lancashire, PR1 8UD, U.K.  
Tel 44-1772-556601  
Fax 44-1772-888366  
www.belfuse.com