

THIS DRAWING IS UNPUBLISHED. RELEASED FOR PUBLICATION 20
 © COPYRIGHT 20 BY - ALL RIGHTS RESERVED.

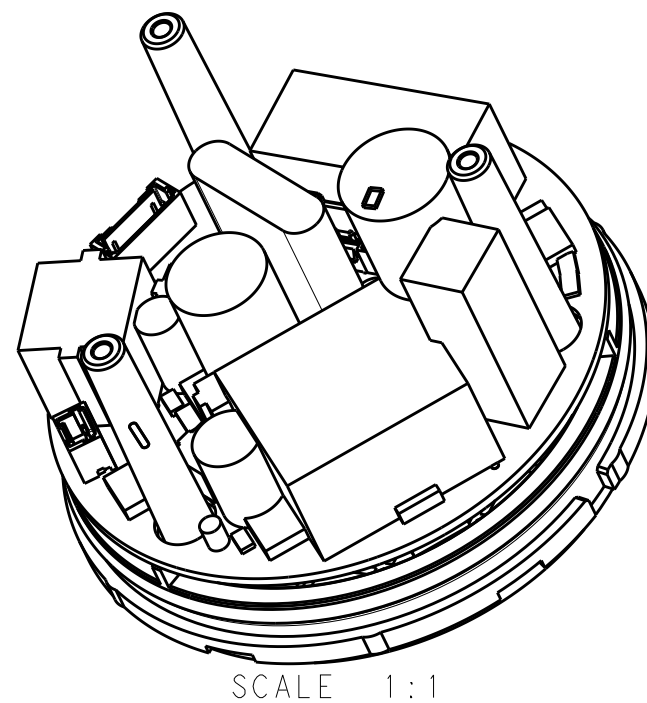
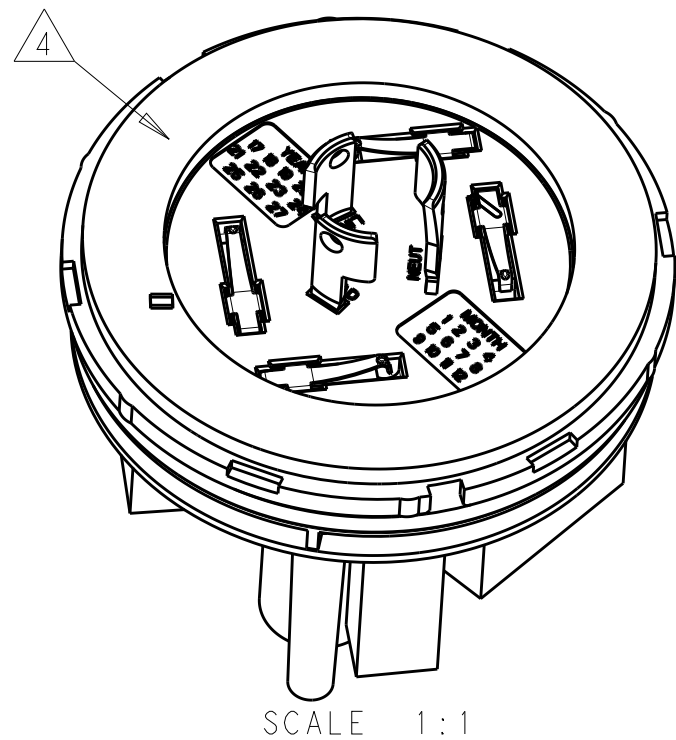
REVISIONS				
P	LTR	DESCRIPTION	DATE	APVD
2		ADDED PART NUMBERS	26JUN2017	CD CG
3		TEMP/VOLTAGE/HUMIDITY/POWER	20OCT2017	CG CG
4		CHANGE POWER BACK 1W/2W 120V/277V	10NOV2017	CG CG
5		SHT 1:MAX CURRENT, SHT 3: COVER	20FEB2018	CG CG

ABSOLUTE MAXIMUM RATINGS	SYMBOL	MIN	MAX	UNIT
STORAGE TEMPERATURE	T_{stg}	-40	105	°C
LINE TO NEUTRAL VOLTAGE	V_{in}	90	300	VAC
MAXIMUM AC CURRENT (RESISTIVE)	A_{switch}	--	10	AMPS

ELECTRICAL CHARACTERISTICS	
INPUT VOLTAGE RANGE	110/120, 230/240 AND 277 VAC NOMINAL SOURCES
INPUT FREQUENCY	47-63 Hz FOR 50/60 Hz NOMINAL SOURCES
MAXIMUM AC CURRENT	10 AMPS (RESISTIVE), 5 AMPS (ELECTRONIC BALLEST)
DC POWER SUPPLIES	
DIMMING	24 VDC AT 50 mA MAXIMUM
COMMUNICATIONS	5 VDC AT 1000 mA MAXIMUM
AUXILIARY	3.3VDC AT 500 mA MAXIMUM
SURGE PROTECTION	ANSI C62.41 6 kV, 3 kA COMBINATION WAVE SURGE PROTECTION
POWER CONSUMPTION (MIN LOAD)	< 1W @ 120 VAC, < 2W @ 277 VAC
FAIL MODE	ON (NORMALLY CLOSED) OR OFF (NORMALLY OPEN)

ENVIRONMENTAL CHARACTERISTICS	
OPERATING TEMPERATURE	-40°C TO +85°C (SEE 114-133085 FOR DETAILS)
RELATIVE HUMIDITY	OPERATING: 15% TO 96%, NON-CONDENSING ENVIRONMENT.
ALTITUDE	OPERATING: -15m TO +2,000m NON-OPERATING: -15m TO +14,000m

- 1 MATERIALS:
HOUSING: PBT
DIMMING CONTACTS (QTY. 4): COPPER ALLOY
LINE VOLTAGE CONTACTS (QTY. 3): COPPER ALLOY
GASKET: CROSS-LINKED POLYETHYLENE
O-RING: SILICONE RUBBER
PCBA: FR4
- 2 FINISH:
DIMMING CONTACTS: NICKEL UNDERPLATE ENTIRE
CONTACT 0.127 µm MIN THICK. SELECTIVE GOLD PLATE CONTACT MATING AREA (MATING FACE SIDE ONLY) 0.76 µm MIN THICK.
MATTE TIN PLATE TAB ON BOTH SIDES 0.30 µm MIN THICK.
LINE VOLTAGE CONTACTS: MATTE TIN PLATE
- 3 MATING INTERFACE PER ANSI C136.41-2013.
- 4 ADHESIVE BACKED GASKET SUPPLIED BUT NOT INSTALLED.
- 5 ADDITIONAL COVERS (P/N: 2306130-X) AVAILABLE CONTACT TE CONNECTIVITY FOR MORE OPTIONS.
- 6. NOT PRODUCTION TOOLED.
- 7. THIS PRODUCT HAS NOT COMPLETED VALIDATION TESTING.
- 8. MUST COMPLY WITH DIRECTIVE 2002/95/EC (ROHS)
- 9. IN ADDITION TO THE STANDARD PRODUCT PART NUMBERS, OTHER CONFIGURATIONS MAY BE AVAILABLE FOR SPECIAL ORDER. PLEASE CONTACT A TE CONNECTIVITY SALES OFFICE FOR MORE INFO.



50/60Hz	NO	NO	OFF	2-2314786-4
50/60Hz	NO	NO	ON	2-2314786-3
50/60Hz	YES	NO	OFF	2-2314786-2
50/60Hz	YES	NO	ON	2-2314786-1
50Hz	NO	YES	OFF	1-2314786-4
50Hz	NO	YES	ON	1-2314786-3
50Hz	YES	YES	OFF	1-2314786-2
50Hz	YES	YES	ON	1-2314786-1
60Hz	NO	YES	OFF	2314786-4
60Hz	NO	YES	ON	2314786-3
60Hz	YES	YES	OFF	2314786-2
60Hz	YES	YES	ON	2314786-1
FREQ.	ENERGY METERING HEADER	ZERO CROSS	FAIL MODE	PART NO.

NEW PRODUCT
PRELIMINARY
 IN DEVELOPMENT

THIS DRAWING IS A CONTROLLED DOCUMENT. DWN: C. DAILY 30DEC2016
 CHK: C. GINGRICH 30DEC2016
 APVD: C. GINGRICH

DIMENSIONS: mm TOLERANCES UNLESS OTHERWISE SPECIFIED:
 0 PLC ±-
 1 PLC ±0.35
 2 PLC ±0.25
 3 PLC ±-
 4 PLC ±-
 ANGLES ±3°
 FINISH

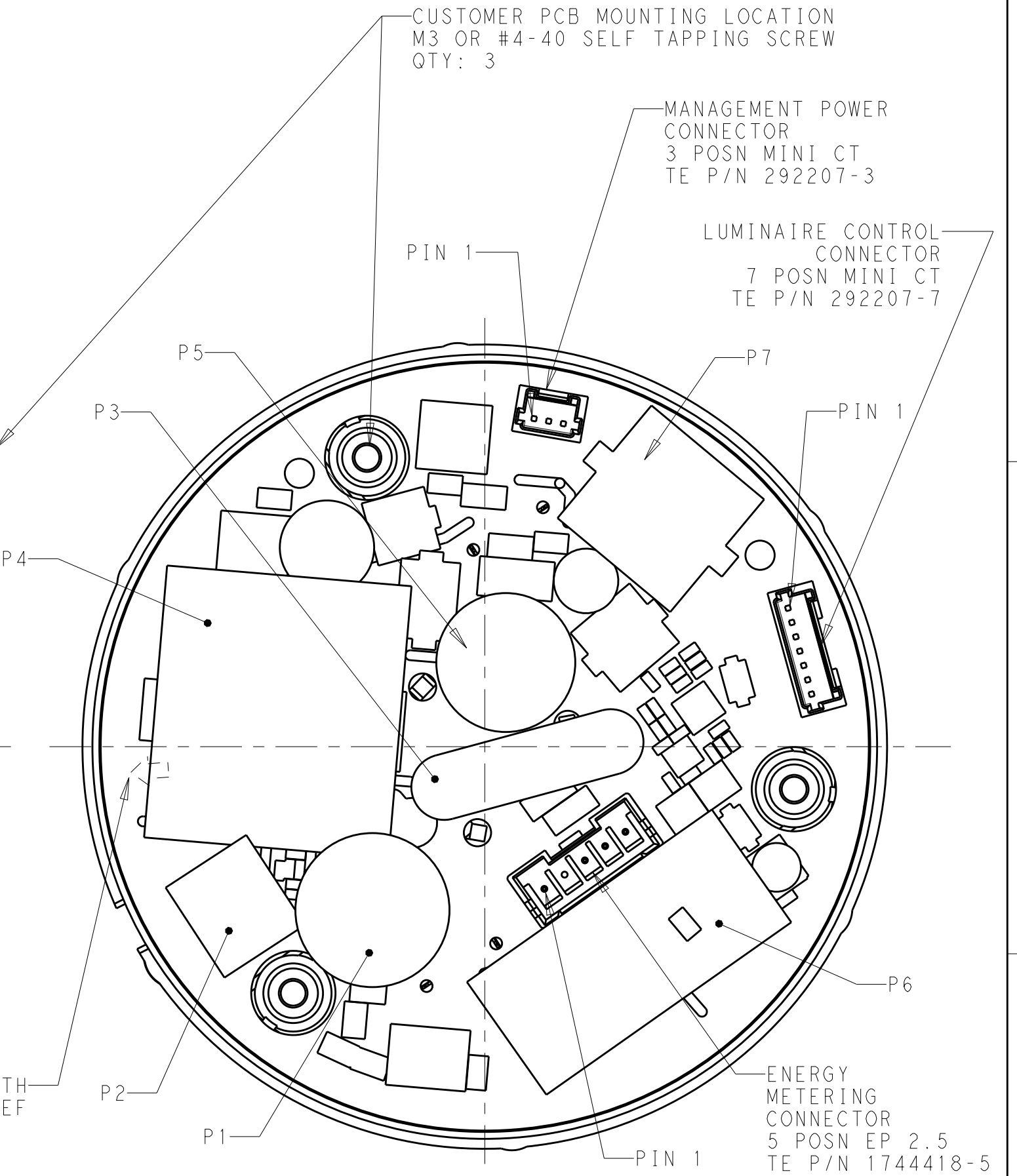
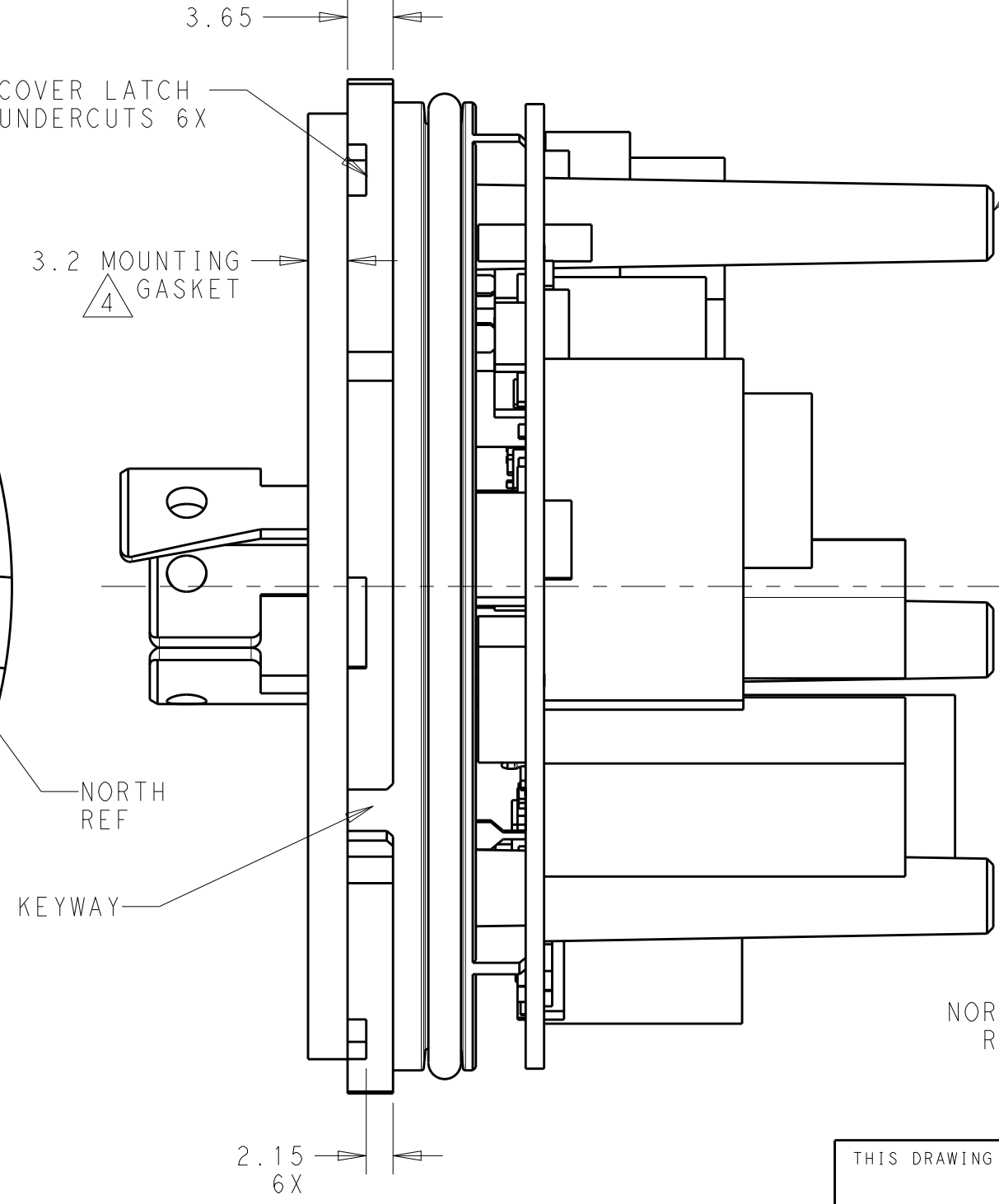
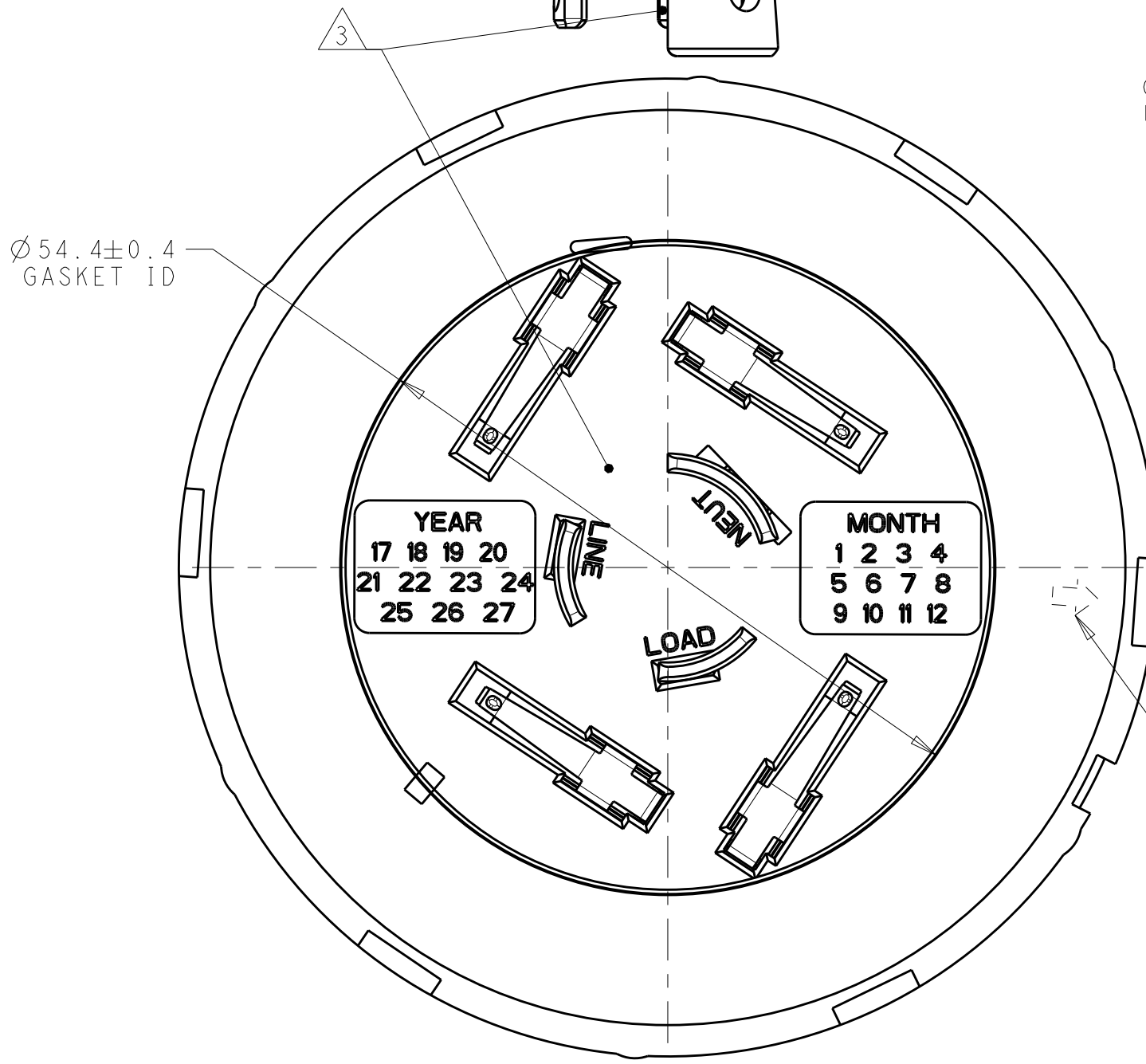
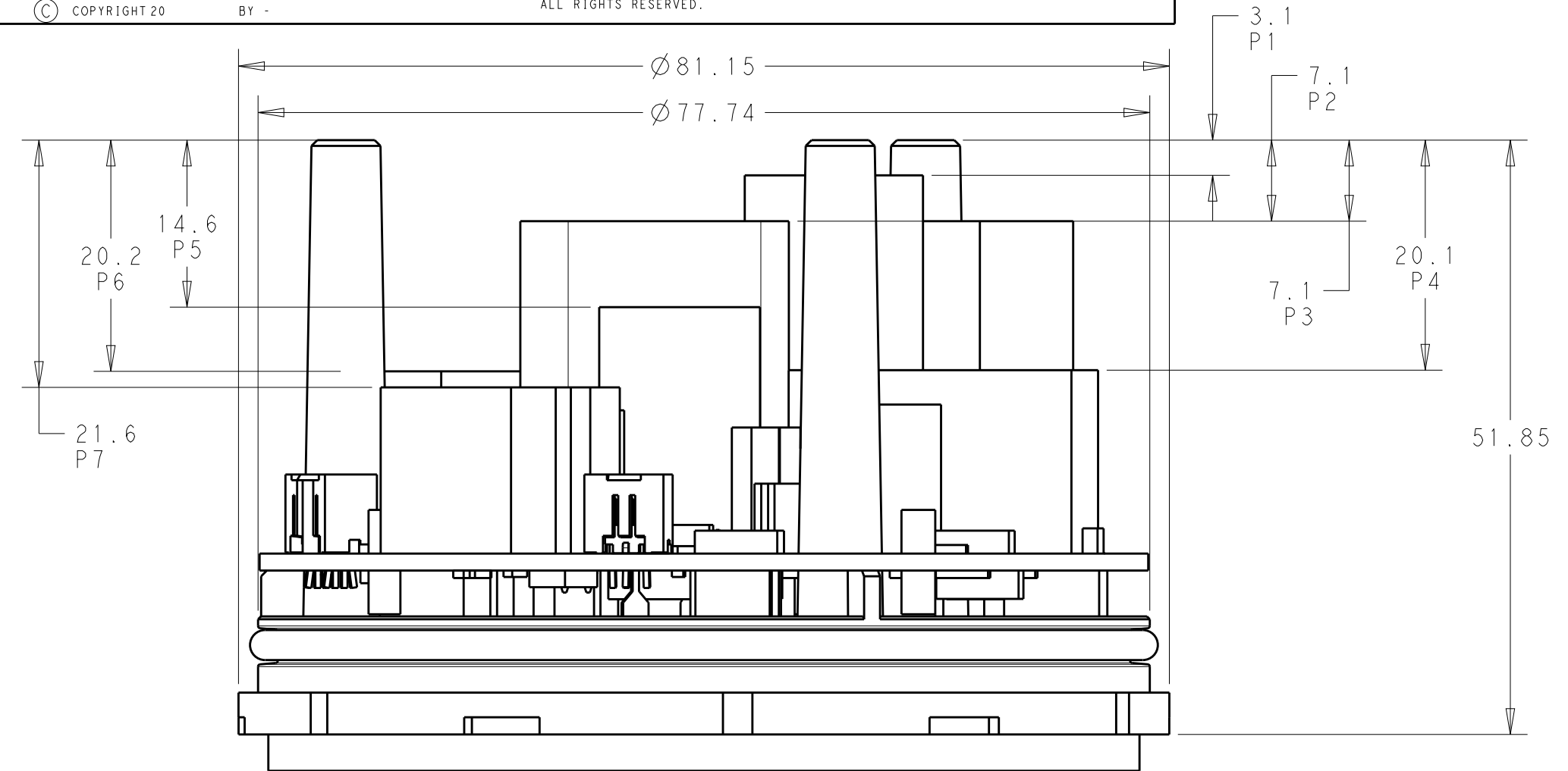
PRODUCT SPEC: 108-133085
 APPLICATION SPEC: 114-133085
 WEIGHT: -

NAME: ASSEMBLY, LUMAWISE ENDURANCE N ENHANCED BASE
 SIZE: A2 CAGE CODE: 00779 DRAWING NO: C-2314786
 RESTRICTED TO: -

CUSTOMER DRAWING SCALE: 2:1 SHEET 1 OF 4 REV 5

THIS DRAWING IS UNPUBLISHED. RELEASED FOR PUBLICATION 20
 © COPYRIGHT 20 BY - ALL RIGHTS RESERVED.

REVISIONS					
P	LTR	DESCRIPTION	DATE	DWN	APVD
-	-	SEE SHEET 1	-	-	-



**NEW PRODUCT
 PRELIMINARY
 IN DEVELOPMENT**

THIS DRAWING IS A CONTROLLED DOCUMENT.		DWN C. DAILY 30DEC2016	TE Connectivity	
		CHK C. GINGRICH 30DEC2016		
DIMENSIONS: mm		APVD	NAME ASSEMBLY, LUMAWISE ENDURANCE N ENHANCED BASE	
TOLERANCES UNLESS OTHERWISE SPECIFIED: 0 PLC ± 1 PLC ±0.35 2 PLC ±0.25 3 PLC ± 4 PLC ± ANGLES ±3° FINISH		PRODUCT SPEC 108-133085	RESTRICTED TO	
MATERIAL		APPLICATION SPEC 114-133085	SIZE A200779	CAGE CODE C-2314786
		WEIGHT	DRAWING NO G-2314786	
		CUSTOMER DRAWING	SCALE 2:1	SHEET 2 OF 4
			REV 5	

THIS DRAWING IS UNPUBLISHED. RELEASED FOR PUBLICATION 20
 © COPYRIGHT 20 BY - ALL RIGHTS RESERVED.

REVISIONS				
P	LTR	DESCRIPTION	DATE	APVD
-		SEE SHEET 1	-	-

2.5 MAX
AT LOCATION P1

24.0 MAX
TO FIT UNDER TE COVER
PN: 2306130-X

OPTIONAL FLAT TO
INDICATE NORTH

TALLEST COMPONENT
P1 THIS QUADRANT

TALLEST COMPONENT
P5 THIS QUADRANT

Ø 3.40
3X

Ø 70.00
MAX

4.2°
REF

22.2°
REF

TALLEST
COMPONENT
P5 THIS
QUADRANT

120°
3X

TALLEST COMPONENT
P3 THIS QUADRANT

Ø 63.00

TOP SIDE


Ø 6.0
KEEP OUT
TOWER MOUNTING
3 PLACES

67
REF

RECOMMENDED CUSTOMER PCB
SCALE 3:1

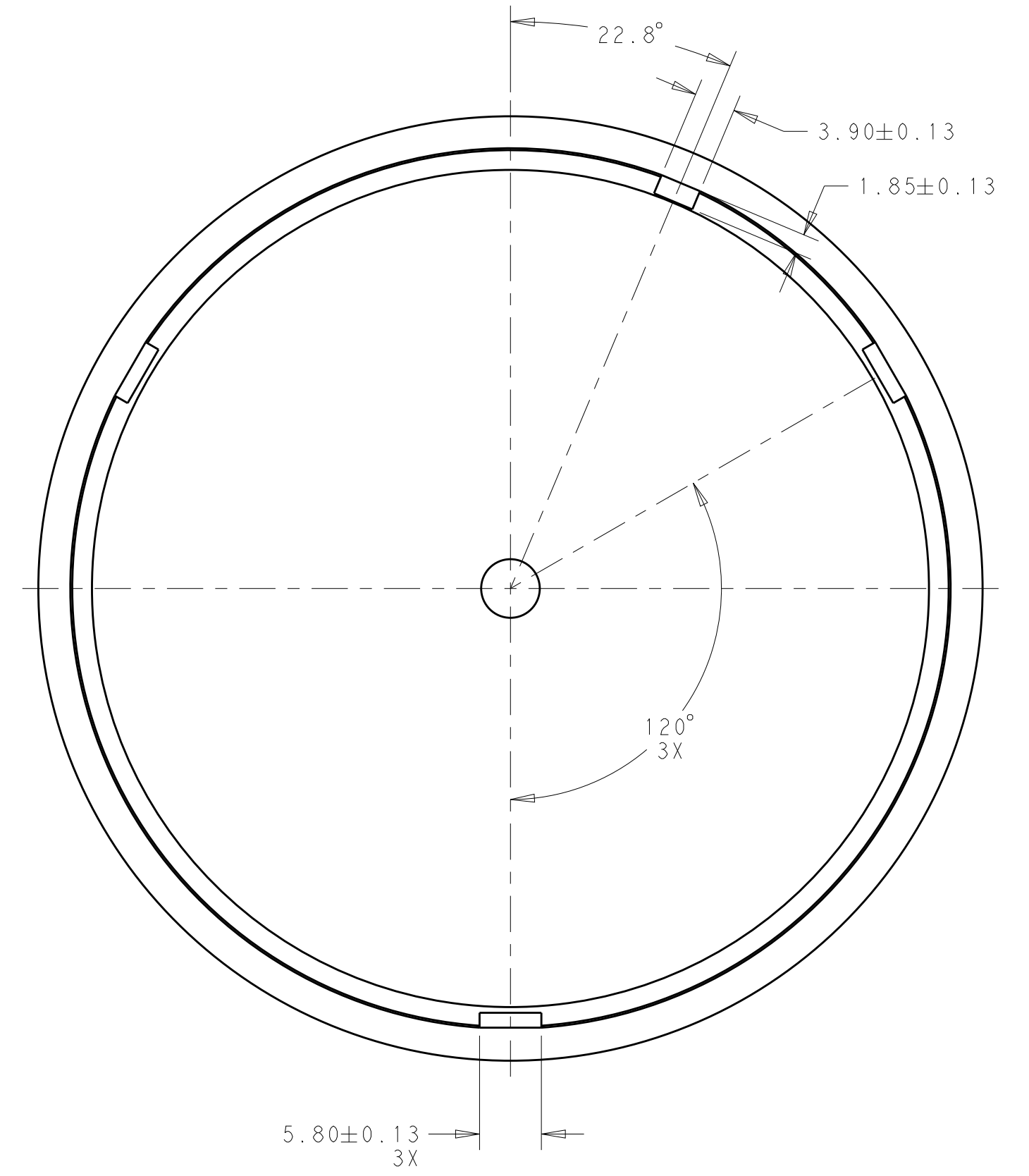
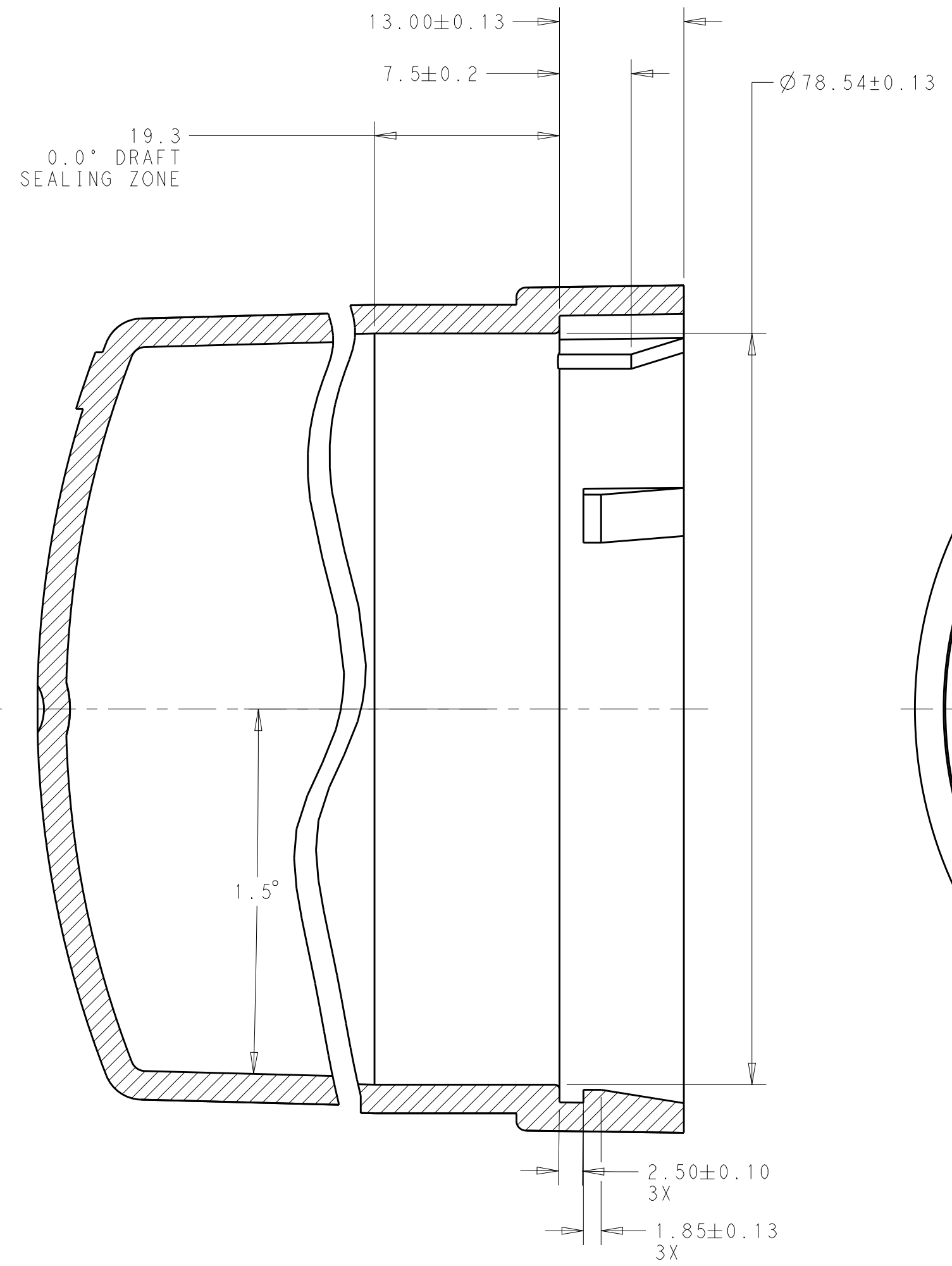
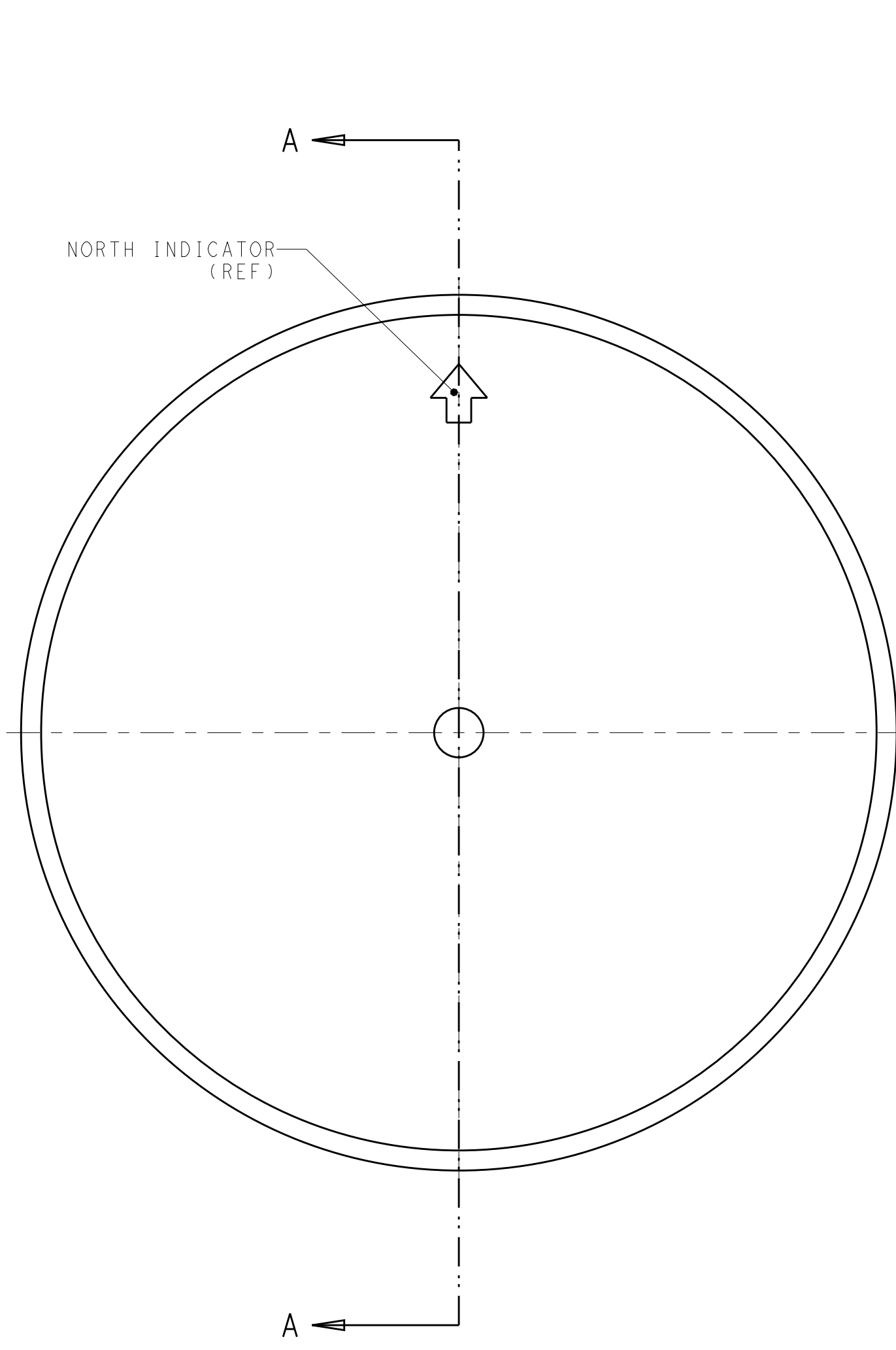
1.60

**NEW PRODUCT
PRELIMINARY
IN DEVELOPMENT**

THIS DRAWING IS A CONTROLLED DOCUMENT.		DWN C. DAILY 30DEC2016	 TE Connectivity	
		CHK C. GINGRICH 30DEC2016		
DIMENSIONS: mm		APVD	NAME ASSEMBLY, LUMAWISE ENDURANCE N ENHANCED BASE	
TOLERANCES UNLESS OTHERWISE SPECIFIED: 0 PLC ± 1 PLC ±0.35 2 PLC ±0.25 3 PLC ± 4 PLC ± ANGLES ±3° FINISH		PRODUCT SPEC 108-133085	RESTRICTED TO -	
MATERIAL -		APPLICATION SPEC 114-133085	SIZE A200779	DRAWING NO C-2314786
		WEIGHT -	SCALE 2:1 SHEET 3 OF 4 REV 5	
		CUSTOMER DRAWING		

THIS DRAWING IS UNPUBLISHED. RELEASED FOR PUBLICATION 20
 © COPYRIGHT 20 BY - ALL RIGHTS RESERVED.

REVISIONS				
P	LTR	DESCRIPTION	DATE	APVD
-	-	SEE SHEET 1	-	-



SECTION A-A

MATING COVER DIMENSIONS FOR 81MM DIAMETER BASES
 (2306130-X REF)

NEW PRODUCT
PRELIMINARY
 IN DEVELOPMENT

THIS DRAWING IS A CONTROLLED DOCUMENT.		DWN C. DAILY 30DEC2016	TE Connectivity	
		CHK C. GINGRICH 30DEC2016		
DIMENSIONS: mm 		TOLERANCES UNLESS OTHERWISE SPECIFIED: 0 PLC ± 1 PLC ±0.35 2 PLC ±0.25 3 PLC ± 4 PLC ± ANGLES ±3° FINISH -		NAME ASSEMBLY, LUMAWISE ENDURANCE N ENHANCED BASE
MATERIAL		APVD PRODUCT SPEC 108-133085 APPLICATION SPEC 114-133085 WEIGHT -		SIZE A200779
		CUSTOMER DRAWING		DRAWING NO C-2314786 RESTRICTED TO -
		SCALE 2:1		SHEET 4 OF 4 REV 5