

PLEASE CHECK WWW.MOLEX.COM FOR LATEST PART INFORMATION

Part Number: [0192030050](#)
Status: **Active**
Description: Krimptite™ Temp-Term Ring Tongue Terminal for 14 to 16 AWG Wire, Stud Size 8, Mylar Tape Carrier

Documents:

[Drawing \(PDF\)](#) [RoHS Certificate of Compliance \(PDF\)](#)

Agency Certification

UL E32244

General

Product Family Ring and Spade Terminals
 Series [19203](#)
 Crimp Quality Equipment Yes
 Mil-Spec N/A
 Product Name Krimptite™, Temp-Terms
 Type Ring

Physical

Barrel Type Closed
 Insulation None
 Material - Plating Mating Tin
 Packaging Type Adhesive Tape on Reel
 Stud Size 8 (M4)
 Wire Size AWG 14, 16
 Wire Size mm² 1.00 - 2.50

Material Info

Old Part Number B-S-137-08T

Reference - Drawing Numbers

Sales Drawing SD-19203-023



*Series
image - Reference only*

EU RoHS

**ELV and RoHS
Compliant**

**REACH SVHC
Contains SVHC: No
Halogen-Free
Status**

Not Reviewed

China RoHS



**Need more information on product
environmental compliance?**

Email productcompliance@molex.com
 For a multiple part number RoHS Certificate of Compliance, [click here](#)

Please visit the [Contact Us](#) section for any non-product compliance questions.

Search Parts in this Series

[19203Series](#)

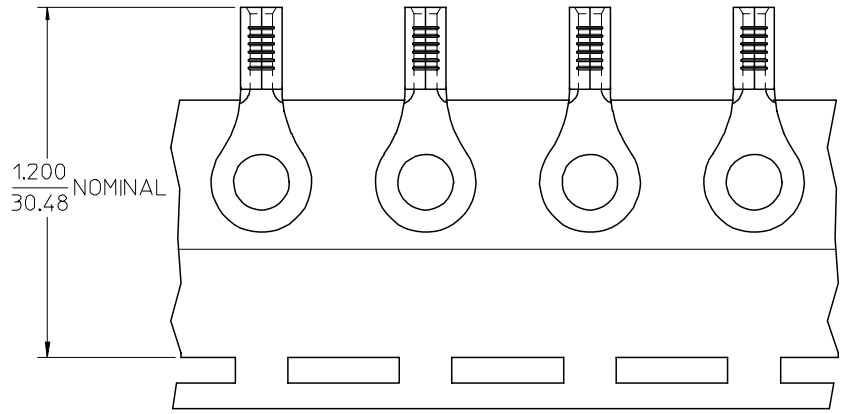
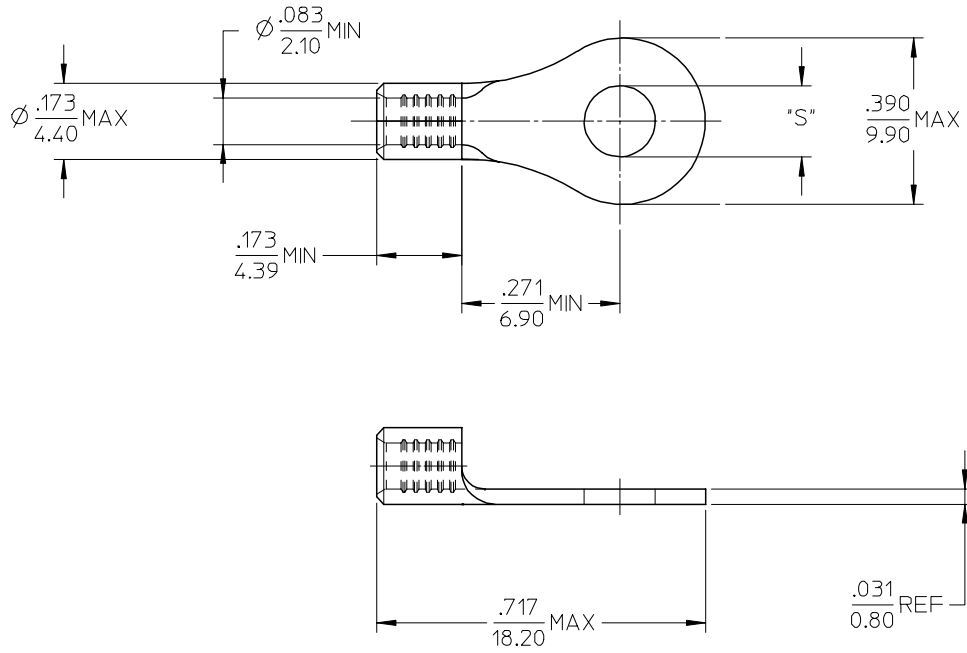
Application Tooling | [FAQ](#)

Tooling specifications and manuals are found by selecting the products below. Crimp Height Specifications are then contained in the Application Tooling Specification document.

Global

Description	Product #
ATP Perishable Tool Kit used in ATP presses that process product on tape	0190270055
Mini-Mac™ Applicator	0638858100

MATERIAL NO.	ENG. NO.	STUD SIZE	"S" MAX	DESCRIPTION
192030470	B-S-137-08	8	.185/4.70	LOOSE
192030050	B-S-137-08T	8	.185/4.70	TAPE



PARTS ON TAPE

- NOTE(S):
1. MATERIAL: STEEL
 2. FINISH: NICKEL PLATED
 3. WIRE SIZE: 16-14 AWG (1.5-2.5 MM²)
 4. PART IS ROHS COMPLIANT.
 5. AMBIENT OPERATING TEMPERATURE UP TO 900 °F (483 °C).

ADDED OPERATING TEMP EC NO: ETC2007-0297 DRW: DRWNEHLE 2007/03/13 CHKD: JMAGNEIL 2007/03/13 APPR: JMAGNEIL 2007/03/14	QUALITY SYMBOLS ▽=0 ▽=0	GENERAL TOLERANCES (UNLESS SPECIFIED)		DIMENSION STYLE IN/MM		SCALE 4:1	DESIGN UNITS INCH	THIRD ANGLE PROJECTION		
				mm	INCH	DRAWN BY DMYRICK	DATE 2005/04/05	TITLE RING TONGUE TERMINAL, 16-14 AWG, KRIMPTITE, 900 DEG F (483 DEG C)		
				4 PLACES ± --- ± ---	3 PLACES ± --- ± .005	CHECKED BY RDEROSS	DATE 2005/04/05			
				2 PLACES ± 0.13 ± .01	1 PLACE ± 0.25 ± ---	APPROVED BY RDEROSS	DATE 2005/04/05	MATERIAL NO. SEE CHART		
		ANGULAR ±1/2°		DRAFT WHERE APPLICABLE MUST REMAIN WITHIN DIMENSIONS		DOCUMENT NO. SD-19203-023		SHEET NO. 1 OF 1		
THIS DRAWING CONTAINS INFORMATION THAT IS PROPRIETARY TO MOLEX INCORPORATED AND SHOULD NOT BE USED WITHOUT WRITTEN PERMISSION										