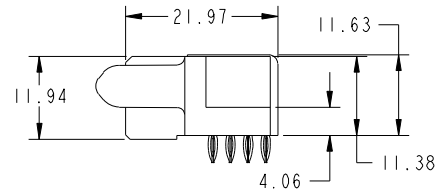
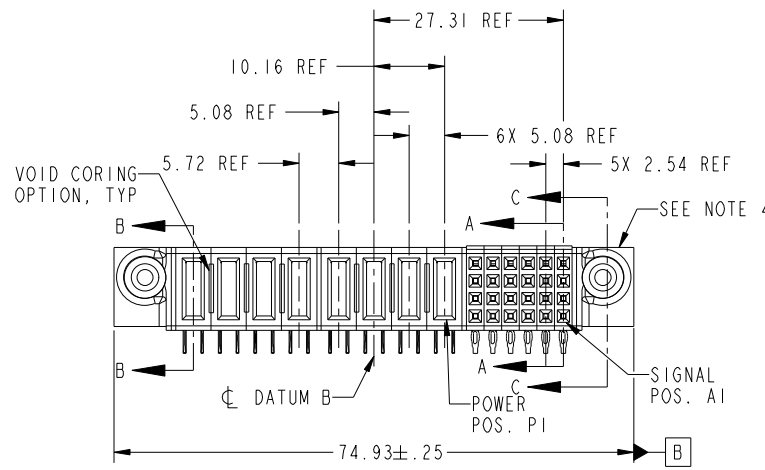
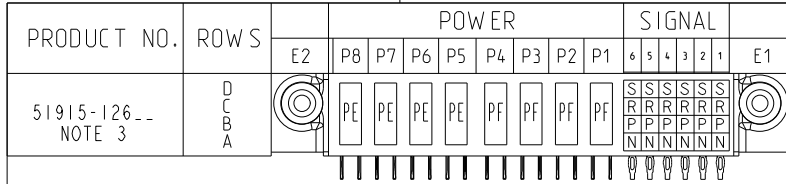


Tous droits strictement reserves. Reproduction ou communication a des tiers interdite sous quelque forme que ce soit sans autorisation écrite du propriétaire. Propriete de c FCI. Droits de reproduction FCI.



All rights strictly reserved. Reproduction or issue to third parties in any form whatever is not permitted without written authority from the proprietor. Property of FCI. Copyright FCI.



| CODE | DIM "M" MATING LENGTH | CONTACT TYPE |
|------|-----------------------|--------------|
| S    | [N/A]                 | SIGNAL       |
| R    | [N/A]                 | SIGNAL       |
| P    | [N/A]                 | SIGNAL       |
| N    | [N/A]                 | SIGNAL       |
| PF   | [2.34]                | POWER        |
| PE   | [1.07]                | POWER        |

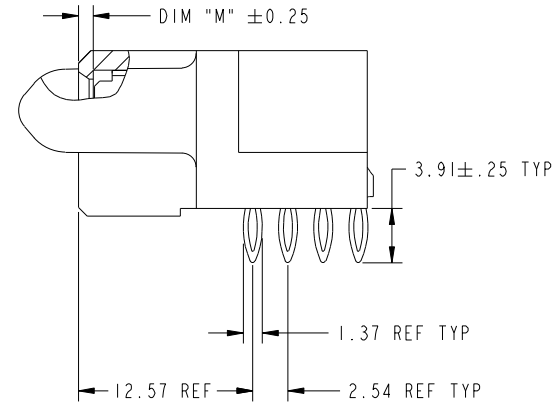
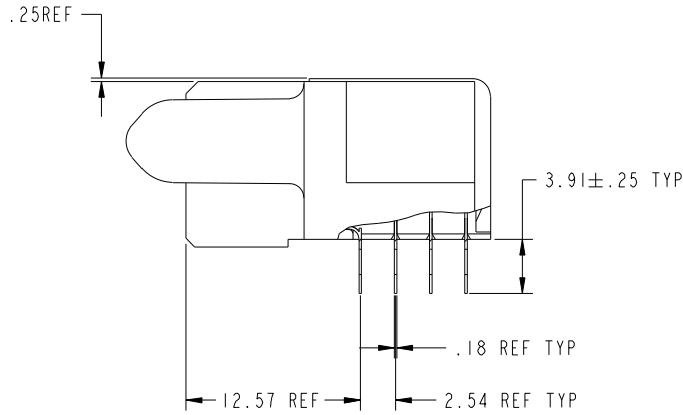
|             |                |     |          |            |                      |                                       |  |                |  |                          |      |
|-------------|----------------|-----|----------|------------|----------------------|---------------------------------------|--|----------------|--|--------------------------|------|
| mat'l code  |                |     |          | SEE NOTE 2 |                      | tolerances unless otherwise specified |  | CUSTOMER       |  | <br>www.fciconnect.com   |      |
| ltr         | ecn no.        | dr  | date     | linear     | 0.X ± 0.3            | projection                            |  | COPY           |  | title                    |      |
| A           | DG07-0120      | JMG | 03/30/07 | angles     | 0.XX ± 0.13          |                                       |  |                |  | 24S + 8P                 |      |
|             |                |     |          | dr         | 0.XXX ± 0.051        |                                       |  |                |  | R/A PRESS-FIT RECEPTACLE |      |
|             |                |     |          | enr        | 0° ± 2°              | scale                                 |  | product family |  | PwrBlade                 | code |
|             |                |     |          | chr        | JM GUO 03/30/07      | 1:1                                   |  | size           |  | A                        | 213  |
|             |                |     |          | appd       | RYAN YUAN 03/30/07   |                                       |  | dwg no         |  | 51915-126                |      |
|             |                |     |          |            | GARY HSIEH 03/30/07  |                                       |  | sheet          |  | 1 of 4                   |      |
|             |                |     |          |            | JOSEPH HSIA 03/30/07 |                                       |  | cage code      |  | 22526                    |      |
| sheet index | revision sheet | A 1 | A 2      | A 3        | A 4                  |                                       |  |                |  |                          |      |

Tous droits strictement reserves. Reproduction ou communication a des tiers interdite sous quelque forme que ce soit sans autorisation ecrite du proprietaire. Propriete de c FCI. Droits de reproduction FCI.

All rights strictly reserved. Reproduction or issue to third parties in any form whatever is not permitted without written authority from the proprietor. Property of FCI. Copyright FCI.

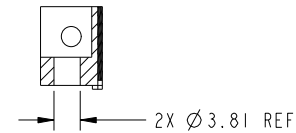
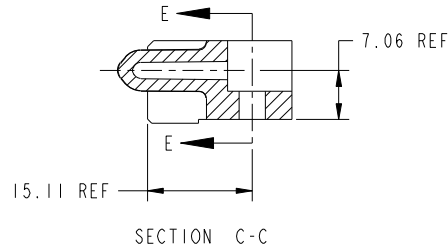


PRODUCT NUMBER  
51915-126--  
NOTE 3



BROKEN-OUT SECTION A-A  
SCALE 2:1

BROKEN-OUT SECTION B-B  
SCALE 2:1



PARTIAL SECTION E-E

|             |         |                |      |            |                      |                                       |  |                    |           |                          |       |
|-------------|---------|----------------|------|------------|----------------------|---------------------------------------|--|--------------------|-----------|--------------------------|-------|
| mat'l code  |         |                |      | SEE NOTE 2 |                      | tolerances unless otherwise specified |  | CUSTOMER           |           | FCI                      |       |
| ltr         | ecn no. | dr             | date | linear     | 0.X ± 0.3            | COPY                                  |  | www.fciconnect.com |           | title                    |       |
| A           |         |                |      |            | 0.XX ± 0.13          | projection                            |  | 24S + 8P           |           | R/A PRESS-FIT RECEPTACLE |       |
|             |         |                |      | angles     | 0.XXX ± 0.051        | MIM                                   |  | product family     |           | PwrBlade                 | code  |
|             |         |                |      | dr         | 0° ± 2°              | scale                                 |  | size               | dwg no    | 213                      | sheet |
|             |         |                |      | enr        | JM GUO 03/30/07      | 1:1                                   |  | A                  | 51915-126 | 2 of 4                   |       |
|             |         |                |      | chr        | RYAN YUAN 03/30/07   |                                       |  |                    |           |                          |       |
|             |         |                |      | appd       | GARY HSI EH 03/30/07 |                                       |  |                    |           |                          |       |
|             |         |                |      |            | JOSEPH HSIA 03/30/07 |                                       |  |                    |           |                          |       |
| sheet index |         | revision sheet |      |            |                      |                                       |  |                    |           |                          |       |

cage code 22526

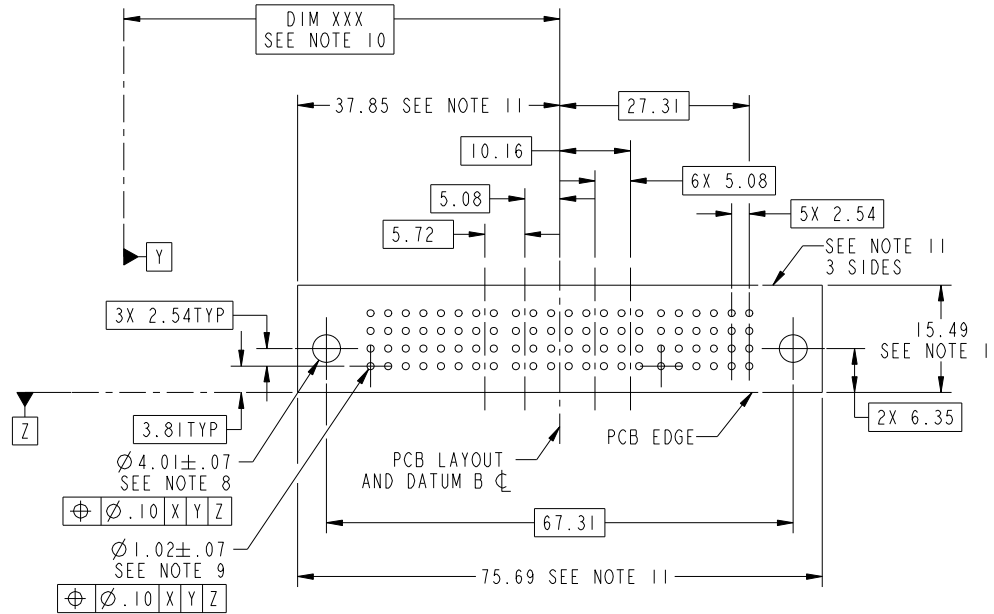
Pro/E

Tous droits strictement reserves. Reproduction ou communication a des tiers interdite sous quelque forme que ce soit sans autorisation écrite du propriétaire. Propriete de c FCI. Droits de reproduction FCI.



All rights strictly reserved. Reproduction or issue to third parties in any form whatever is not permitted without written authority from the proprietor. Property of FCI. Copyright FCI.

PRODUCT NUMBER  
51915-126--  
NOTE 3



|             |                |          |      |                                       |                      |            |  |                                    |  |
|-------------|----------------|----------|------|---------------------------------------|----------------------|------------|--|------------------------------------|--|
| mat'l code  |                | SEE NOTE |      | tolerances unless otherwise specified |                      | CUSTOMER   |  | FCI                                |  |
| ltr         | ecr no.        | dr       | date | linear                                | 0.X ± 0.3            | COPY       |  | www.fciconnect.com                 |  |
| A           |                |          |      |                                       | 0.XX ± 0.13          | projection |  | title 24S + 8P                     |  |
|             |                |          |      | angles                                | 0.XXX ± 0.051        | MIM        |  | R/A PRESS-FIT RECEPTACLE           |  |
|             |                |          |      | dr                                    | 0 ± 2°               | scale      |  | product family PwrBlade code 213   |  |
|             |                |          |      | enr                                   | JM GUO 03/30/07      | 1:1        |  | size dwg no 51915-126 sheet 3 of 4 |  |
|             |                |          |      | chr                                   | RYAN YUAN 03/30/07   |            |  |                                    |  |
|             |                |          |      | appd                                  | GARY HSIEH 03/30/07  |            |  |                                    |  |
|             |                |          |      |                                       | JOSEPH HSIA 03/30/07 |            |  |                                    |  |
| sheet index | revision sheet |          |      |                                       |                      |            |  |                                    |  |

cage code 22526

Pro/E

Tous droits strictement réservés. Reproduction ou communication a des tiers interdite sous quelque forme que ce soit sans autorisation écrite du propriétaire. Propriété de c FCI. Droits de reproduction FCI.

All rights strictly reserved. Reproduction or issue to third parties in any form whatever is not permitted without written authority from the proprietor. Property of FCI. Copyright FCI.

PRODUCT NUMBER  
51915-126--  
NOTE 3

NOTES:

1. DIMENSIONS AND TOLERANCES ARE IN ACCORDANCE WITH ASME Y14.5M, 1994 UNLESS OTHERWISE SPECIFIED.

CONNECTOR NOTES:

- 2. HOUSING MATERIAL: UL 94 V-0 GLASS FILLED  
HIGH-TEMP THERMOPLASTIC  
POWER CONTACT MATERIAL: COPPER ALLOY  
SIGNAL PIN MATERIAL: COPPER ALLOY
  - 3. PLATING:  
51915-126, 51915-126LF PLATING SPEC. WAS SHOWN IN THE PRINT OF 10064183.
  - 4. MANUFACTURER'S NAME, P/N, AND DATE CODE TO APPEAR ON THIS SURFACE.
  - 5. PRODUCT SPECIFICATION GS-12-149.  
APPLICATION SPECIFICATION BUS-20-067.
  - 6. PACKAGED IN TRAYS.
- PCB NOTES:
- 7. ALL HOLE DIAMETERS ARE FINISHED HOLE SIZE.
  - 8. MOUNTING HOLES, WHERE APPLICABLE, ARE UNPLATED.
  - 9.  $\varnothing 1.151 \pm 0.025$  DRILLED HOLES PLATED WITH  
0.008 MIN SnPb OR Sn OVER 0.03  
TO 0.08 Cu PLATING TO ACHIEVE  
 $\varnothing 1.02 \pm .07$  HOLE.
  - 10. "DIM XXX" TO BE DETERMINED BY THE CUSTOMER.
  - 11. CONNECTOR KEEP-OUT ZONE.
  - 12. USE FCI CAM TOOL 430140-XXX  
TO APPLY CONNECTOR TO PCB.

|             |                |            |      |                                       |                      |            |  |                          |           |                    |       |
|-------------|----------------|------------|------|---------------------------------------|----------------------|------------|--|--------------------------|-----------|--------------------|-------|
| mat'l code  |                | SEE NOTE 2 |      | tolerances unless otherwise specified |                      | CUSTOMER   |  | FCI                      |           | www.fciconnect.com |       |
| ltr         | ecr no.        | dr         | date | linear                                | 0.X ± 0.3            | COPY       |  | title                    |           |                    |       |
| A           |                |            |      |                                       | 0.XX ± 0.13          | projection |  | 24S + 8P                 |           |                    |       |
|             |                |            |      | angles                                | 0.XXX ± 0.051        |            |  | R/A PRESS-FIT RECEPTACLE |           |                    |       |
|             |                |            |      |                                       | 0° ± 2°              | MIM        |  | product family           |           | PwrBlade           | code  |
|             |                |            |      | dr                                    | JM GUO 03/30/07      | ← MIM →    |  | size                     | dwg no    |                    | 213   |
|             |                |            |      | enrg                                  | RYAN YUAN 03/30/07   | scale      |  | A                        | 51915-126 |                    | sheet |
|             |                |            |      | chr                                   | GARY HSIEH 03/30/07  | 1:1        |  |                          |           | 4 of 4             |       |
|             |                |            |      | appd                                  | JOSEPH HSIA 03/30/07 |            |  |                          |           |                    |       |
| sheet index | revision sheet |            |      |                                       |                      |            |  |                          |           |                    |       |

cage code 22526

Pro/E