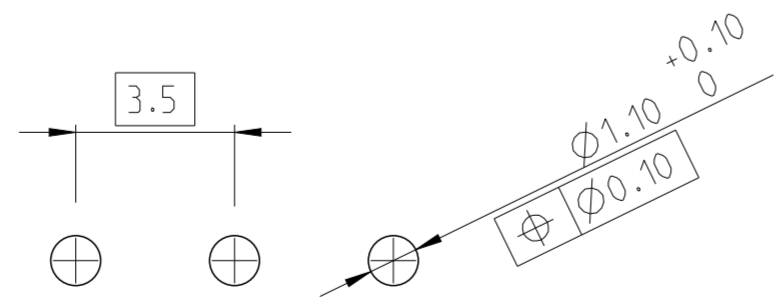
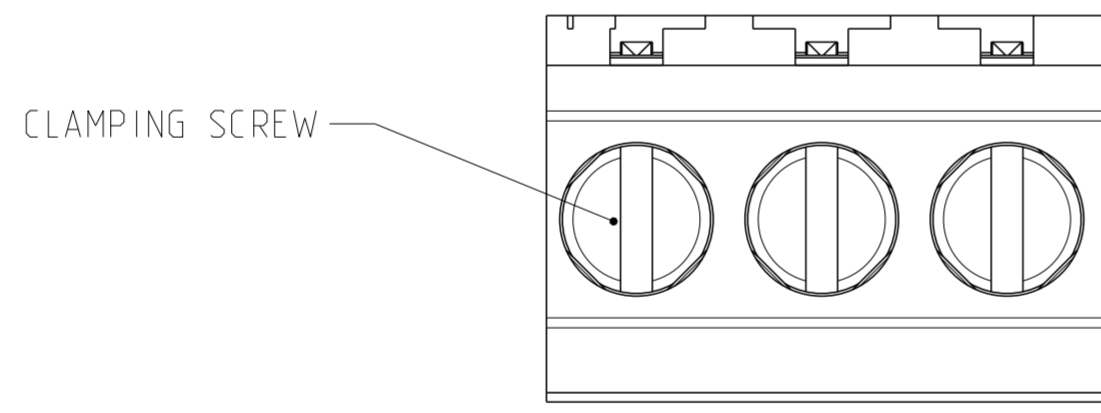
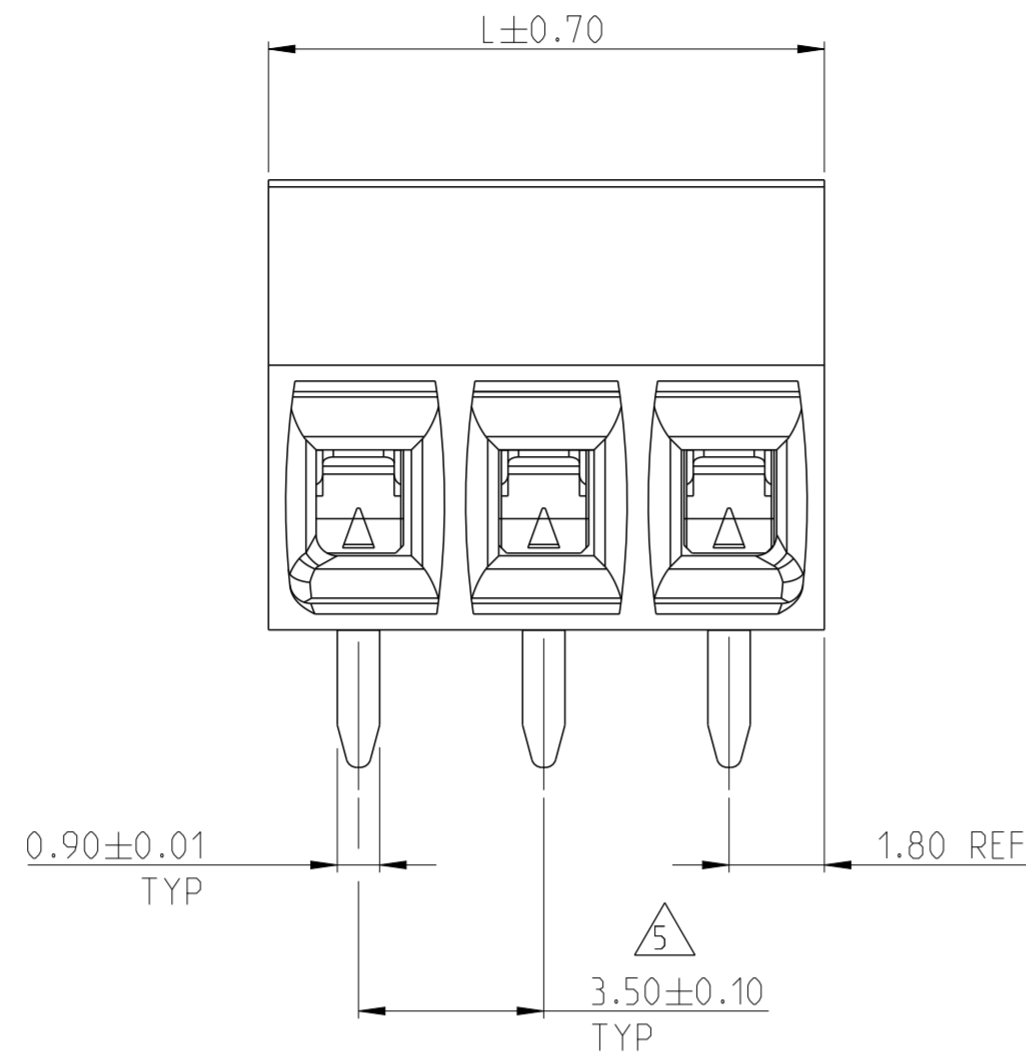
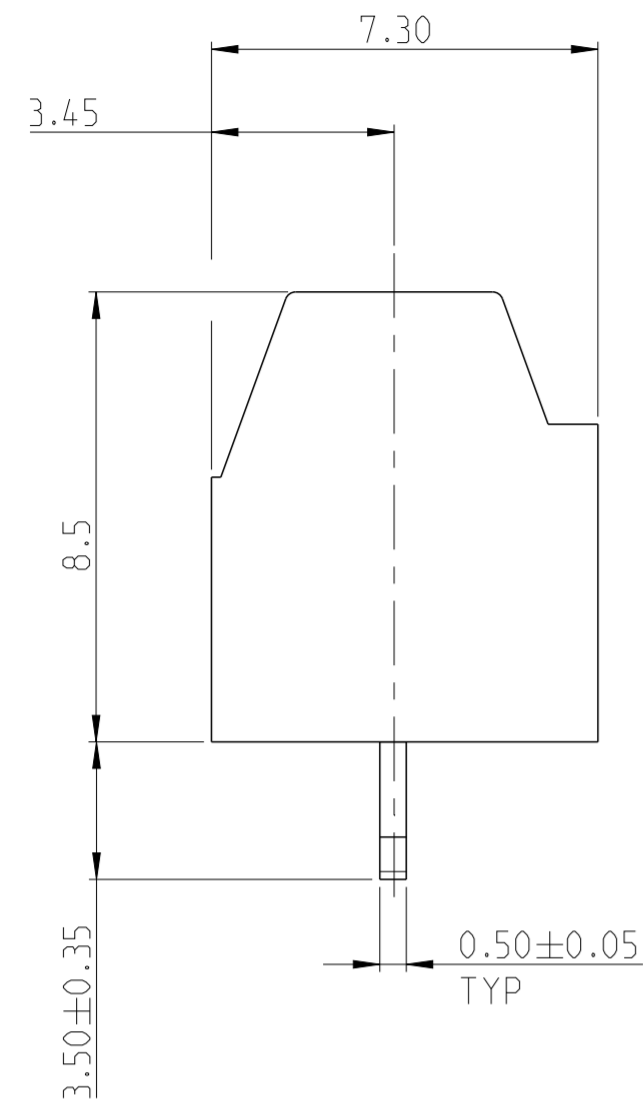


THIS DRAWING IS UNPUBLISHED. RELEASED FOR PUBLICATION 20
 © COPYRIGHT 20 BY - ALL RIGHTS RESERVED.

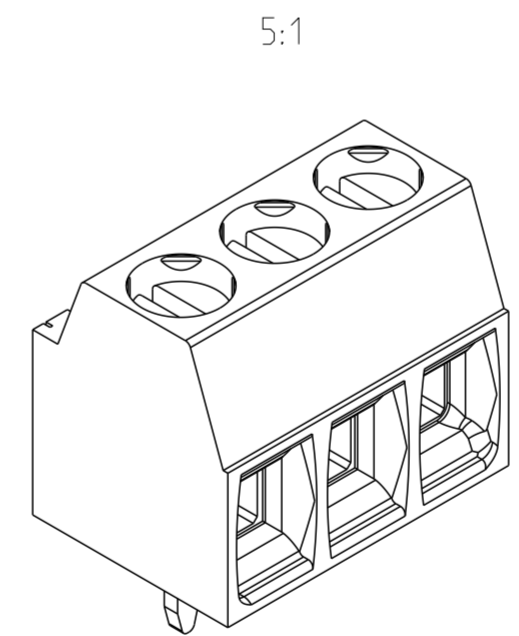
REVISIONS				
P	LTR	DESCRIPTION	DATE	APVD
0		RELEASED	30APR2003	SW CR
A		REVISED EC 0G3B-0102-04	25FEB2004	SW CR
A1		REVISED ECO-05-014184	13JAN2006	SW CR
A2		BLACK COLOR VARIANT ADDED (2842089)	23FEB2016	FP NG



RECOMMENDED PCB BOARD LAYOUT

NOTES

- MATERIALS AND FINISH:
 HOUSING : PA 6-6, UL 94 VO-RATED, COLOR: GREEN.
 TERMINAL : COPPER ALLOY, TIN PLATED.
 CLAMP : COPPER ALLOY, NICKEL PLATED.
 CLAMPING SCREW : M2, COPPER ALLOY, NICKEL PLATED.
 - MECHANICAL
 RECOMMENDED/ HIGHEST TIGHTENING TORQUE : 0.2/0.25 Nm
 PCB THICKNESS : MAX 2.4 mm
 WIRE STRIPPING LENGTH : 5 - 6 mm
 - ELECTRICAL
 WIRE RANGE : 28 - 16 AWG
 MAX. VOLTAGE : 300 V
 MAX CURRENT : 17.5 A
 CONTACT RESISTANCE : < 15 m Ohm
 INSULATION RESISTANCE : > 1000 M Ohm (500V DC)
 - OPERATING TEMPERATURE RANGE: -40 °C TO +110 °C
- 5 TOLERANCE NOT CUMULATIVE.
 6 HOUSING COLOUR IS GREEN.
 7 HOUSING COLOUR IS BLACK.



1546551-3 AS SHOWN

87.50	25		2-1546551-5
84.00	24		2-1546551-4
80.50	23		2-1546551-3
77.00	22		2-1546551-2
73.50	21		2-1546551-1
70.00	20		2-1546551-0
66.50	19		1-1546551-9
63.00	18		1-1546551-8
59.50	17		1-1546551-7
56.00	16		1-1546551-6
52.50	15		1-1546551-5
49.00	14		1-1546551-4
45.50	13		1-1546551-3
42.00	12		1-1546551-2
38.50	11		1-1546551-1
35.00	10		1-1546551-0
31.50	9		1546551-9
28.00	8	2842089-8	1546551-8
24.50	7	2842089-7	1546551-7
21.00	6	2842089-6	1546551-6
17.50	5	2842089-5	1546551-5
14.00	4	2842089-4	1546551-4
10.50	3	2842089-3	1546551-3
7.00	2	2842089-2	1546551-2

THIS DRAWING IS A CONTROLLED DOCUMENT.		DWN S. WELDON 30APR2003	TE Connectivity	
DIMENSIONS: mm		CHK C. RICHARD 30APR2003		
TOLERANCES UNLESS OTHERWISE SPECIFIED:		APVD C. RICHARD 30APR2003	NAME	
0 PLC ±		PRODUCT SPEC	TERMINAL BLOCK, PCB MOUNT, STRAIGHT, 8.5mm PROFILE, SIDE WIRE ENTRY, 3.5mm PITCH	
1 PLC ±0.3		APPLICATION SPEC	SIZE	RESTRICTED TO
2 PLC ±0.25		WEIGHT	A2	-
3 PLC ±		CUSTOMER DRAWING	SCALE 7:1	SHEET 1 OF 1
4 PLC ±				REV A2
ANGLES ±				
FINISH				
MATERIAL SEE NOTES				
SEE NOTES				