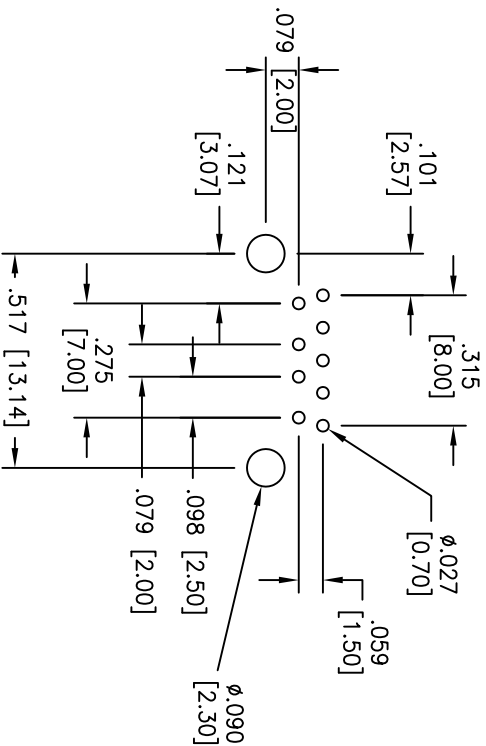
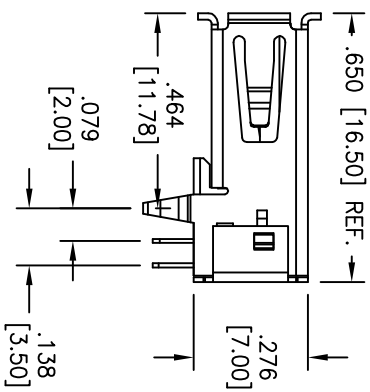
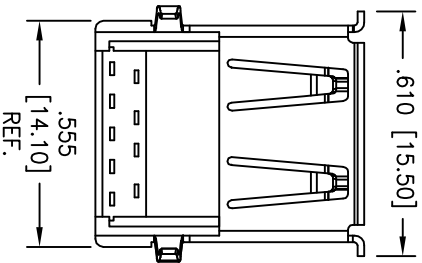
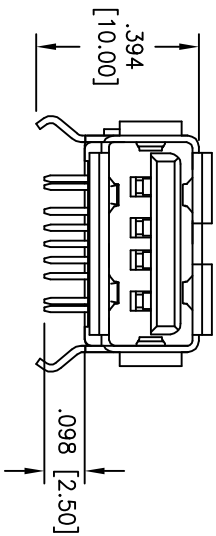


Rev	AWO #	Description	Date	Appr
-		RELEASED	12/18/09	

APPROVED: _____ TITLE: _____
 DATE: _____



RECOMMENDED PCB LAYOUT

SPECIFICATIONS:

Material:
 Insulator: PBT, glass reinforced, rated UL 94V-0
 Insulator color: Blue
Contacts: Copper Alloy
 Shell: Copper Alloy, Nickel plated
Plating:
 Gold over Nickel underplate on contact area,
 Tin over Copper underplate on solder tails.
Electrical:
 Current rating: 1.8 A AC/DC
 Contact resistance: 30 mohms max. initial for VBUS and GND contact
 Insulation resistance: 100 Mohms min.
 Dielectric strength: 100 Volts AC(RMS)
 Temperature Rating:
 Operating temperature: -40°C to +85°C
Environmental:
 Lead free, RoHS compliant.
 Recommended soldering temp: 235°C for 5 sec.



ADAM TECH

909 Rahway Avenue, Union, NJ 07083
 Phone: 908-687-5000 Fax: 908-687-5710

TITLE: UNIVERSAL SERIAL BUS, TYPE A
 FEMALE, RIGHT ANGLE, DIP TYPE

UNLESS OTHERWISE SPECIFIED ALL DIMENSIONS ARE NOTED TOLERANCES: EXCEPT AS NOTED INCHES		HOLE SIZES	
X	± .10	ØXX	± .10
XX	± .020	ØXXX	± .015
.XXX	± .015	ØXXX	± .010
APPROVALS		DATE	
DRAWN	DY	12/18/09	
CHECKED			
APPROVED			
SIZE	PART NO.	REF.	REV.
X	USB-A3-S-RA	S00013T	-