

Type: RM4

Product Description

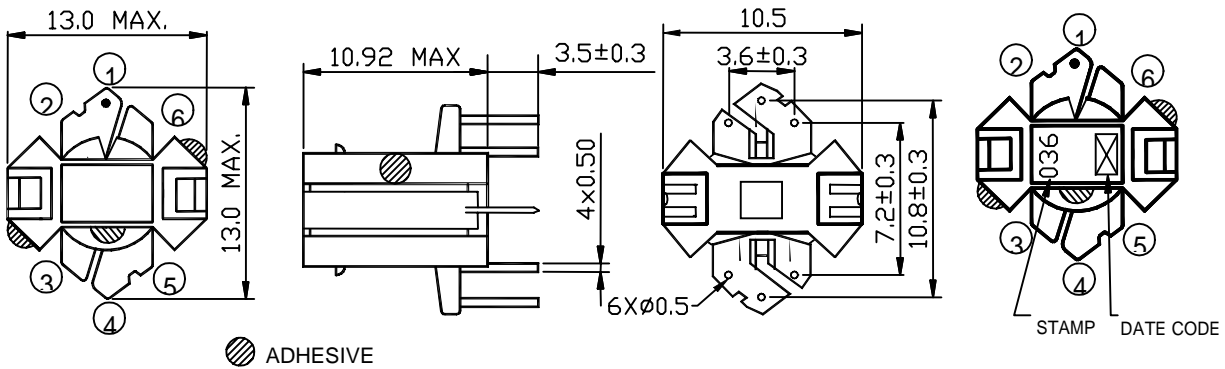
- 13.0 x 13.0mm Max.(L x W), 10.92mm Max. Height.



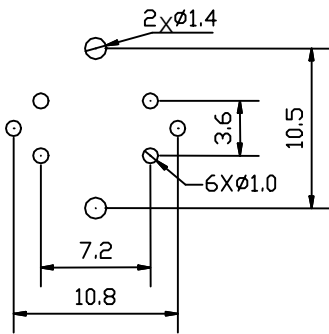
Feature

- Small foot print for Central Office applications.
- For use with Legerity's Itergrated Voice and Data(IVD) solution.
- Customized inductance values available.
- RoHS Compliance.

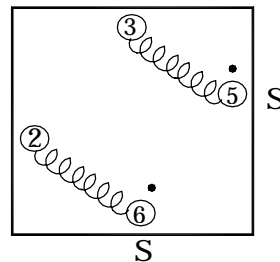
Dimensions (mm)



Land Pattern (mm)



Schematics(Bottom)



“S” is winding start.

Specification

Item	Specification	Measuring condition
Inductance (5-3)	6 8 0 μ H \pm 1 0 % Within	100kHz,0.1V,0mA
Inductance (5-3)	5 6 0 μ H Min.	100kHz,0.1V,200mA
D.C.R. (6-2)	7 0 0 m \pm 1 5 % Within	at 20
D.C.R. (3-5)	7 0 0 m \pm 1 5 % Within	at 20