



UMUR1660

DIODE

SWITCHMODE POWER RECTIFIERS

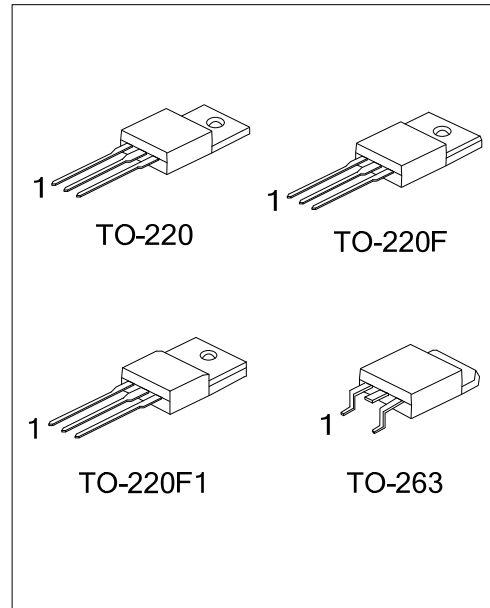
DESCRIPTION

The UTC **UMUR1660** contains dual surface mount schottky barrier rectifiers, it uses UTC's advanced technology to provide customers with low leakage reverse current and high voltage capability, etc.

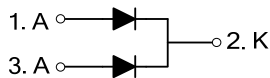
The UTC **UMUR1660** is suitable for inverters and switching power supplies, etc.

FEATURES

- * High voltage capability
- * Low leakage reverse current



SYMBOL



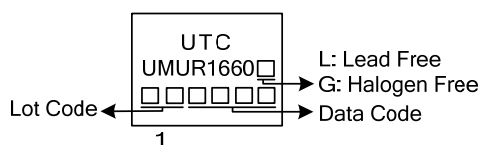
ORDERING INFORMATION

Ordering Number		Package	Pin Assignment			Packing
Lead Free	Halogen Free		1	2	3	
UMUR1660L-TA3-T	UMUR1660G-TA3-T	TO-220	A	K	A	Tube
UMUR1660L-TF3-T	UMUR1660G-TF3-T	TO-220F	A	K	A	Tube
UMUR1660L-TF1-T	UMUR1660G-TF1-T	TO-220F1	A	K	A	Tube
UMUR1660L-TQ2-T	UMUR1660G-TQ2-T	TO-263	A	K	A	Tube
UMUR1660L-TQ2-R	UMUR1660G-TQ2-R	TO-263	A	K	A	Tape Reel

Note: Pin Assignment: G: Gate D: Drain S: Source

<p>UMUR1660L-TA3-T</p> <p>(1)Packing Type</p> <p>(2)Package Type</p> <p>(3)Green Package</p>	<p>(1) T: Tube</p> <p>(2) TA3: TO-220, TF3: TO-220F, TF1: TO-220F1</p> <p>TQ2: TO-263</p> <p>(3) L: Lead Free, G: Halogen Free and Lead Free</p>
--	--

MARKING



■ ABSOLUTE MAXIMUM RATINGS

PARAMETER		SYMBOL	RATINGS	UNIT
DC Blocking Voltage		V_R	600	V
Working Peak Reverse Voltage		V_{RWM}	600	V
Peak Repetitive Reverse Voltage		V_{RRM}	600	V
Average Rectified Forward Current Total Device, (Rated V_R), $T_C=150^\circ\text{C}$	Per Leg	$I_{F(AV)}$	8.0	A
	Total		16	A
Peak Rectified Forward Current (Rated V_R , Square Wave, 20kHz), $T_C=150^\circ\text{C}$		I_{FM}	16	A
Non-Repetitive Peak Surge Current (Surge Applied at Rated Load Conditions Halfwave, Single Phase, 60Hz)		I_{FSM}	100	A
Storage Temperature		T_{STG}	-65~+175	$^\circ\text{C}$
Operating Junction Temperature		T_J	-65~+175	$^\circ\text{C}$

Note: Absolute maximum ratings are those values beyond which the device could be permanently damaged. Absolute maximum ratings are stress ratings only and functional device operation is not implied.

■ THERMAL CHARACTERISTICS (PER LEG)

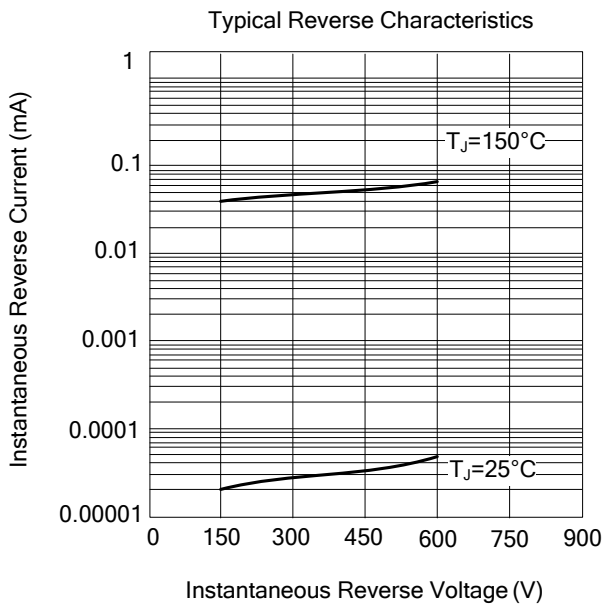
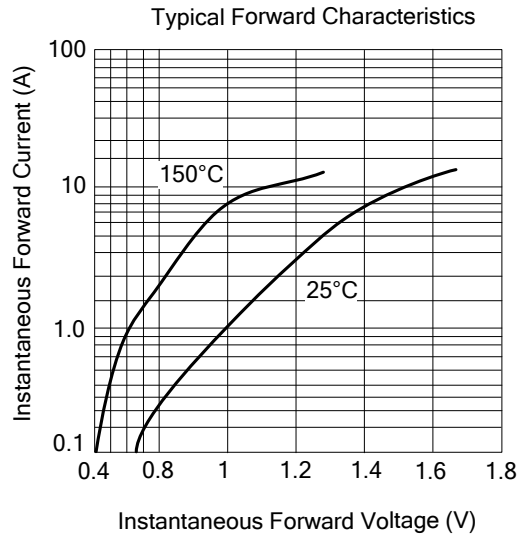
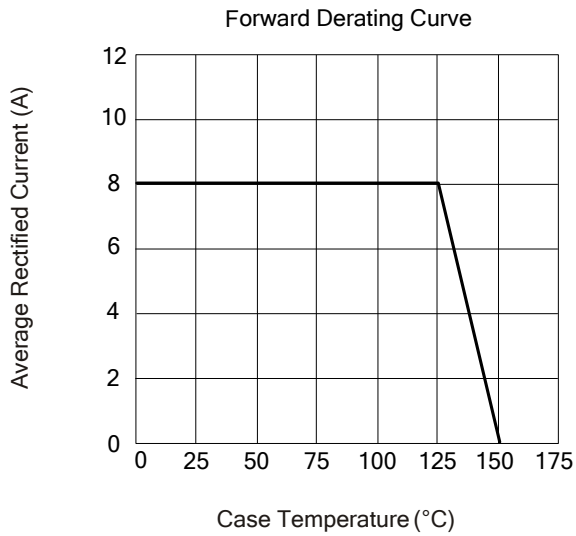
PARAMETER		SYMBOL	RATINGS	UNIT
Junction to Case	TO-220/TO-263	θ_{JC}	2	$^\circ\text{C/W}$
	TO-220F/TO-220F1		3.4	$^\circ\text{C/W}$

■ ELECTRICAL CHARACTERISTICS (PER DIODE LEG)

PARAMETER	SYMBOL	TEST CONDITIONS	MIN	TYP	MAX	UNIT
Instantaneous Forward Voltage (Note)	V_F	$I_F=8\text{A}$, $T_C=25^\circ\text{C}$			1.50	V
		$I_F=8\text{A}$, $T_C=150^\circ\text{C}$			1.20	V
Instantaneous Reverse Current (Note)	I_R	Rated dc Voltage, $T_C=25^\circ\text{C}$			10	μA
		Rated dc Voltage, $T_C=150^\circ\text{C}$			500	μA
Reverse Recovery Time	t_{RR}	$I_F=1.0\text{A}$, $di/dt=50\text{A}/\mu\text{s}$			60	ns
		$I_F=0.5\text{A}$, $I_R=1.0\text{A}$, $I_{REC}=0.25\text{A}$			50	ns

Note: Pulse Test: Pulse Width=300 μs , Duty Cycle \leq 2.0%

■ TYPICAL CHARACTERISTICS



UTC assumes no responsibility for equipment failures that result from using products at values that exceed, even momentarily, rated values (such as maximum ratings, operating condition ranges, or other parameters) listed in products specifications of any and all UTC products described or contained herein. UTC products are not designed for use in life support appliances, devices or systems where malfunction of these products can be reasonably expected to result in personal injury. Reproduction in whole or in part is prohibited without the prior written consent of the copyright owner. The information presented in this document does not form part of any quotation or contract, is believed to be accurate and reliable and may be changed without notice.