

PLEASE CHECK WWW.MOLEX.COM FOR LATEST PART INFORMATION

Part Number: [0873686122](#)
Status: **Active**
Description: 2.00mm (.079") Pitch Milli-Grid™ Receptacle, Surface Mount, Side Entry, 0.76µm (30µ") Gold (Au) Plating, 10 Circuits, Leadfree

Documents:

[3D Model](#) [Product Specification PS-87264 \(PDF\)](#)
[Drawing \(PDF\)](#) [RoHS Certificate of Compliance \(PDF\)](#)

Agency Certification

CSA LR19980
 UL E29179

General

Product Family PCB Receptacles
 Series [87368](#)
 Application Board-to-Board
 Product Name Milli-Grid™

Physical

Circuits (Loaded) 10
 Color - Resin Black
 Durability (mating cycles max) 25
 Flammability 94V-0
 Glow-Wire Compliant No
 Lock to Mating Part None
 Material - Plating Mating Gold
 Material - Plating Termination Tin
 Material - Resin Nylon
 Number of Rows 2
 Orientation Right Angle
 PCB Locator Yes
 PCB Retention Yes
 Packaging Type Tube
 Pitch - Mating Interface (in) 0.079 In
 Pitch - Mating Interface (mm) 2.00 mm
 Plating min: Mating (µin) 30.4
 Plating min: Mating (µm) 0.76
 Plating min: Termination (µin) 101.6
 Plating min: Termination (µm) 2.54
 Polarized to PCB Yes
 Surface Mount Compatible (SMC) N/A
 Temperature Range - Operating -55°C to +105°C
 Termination Interface: Style Surface Mount

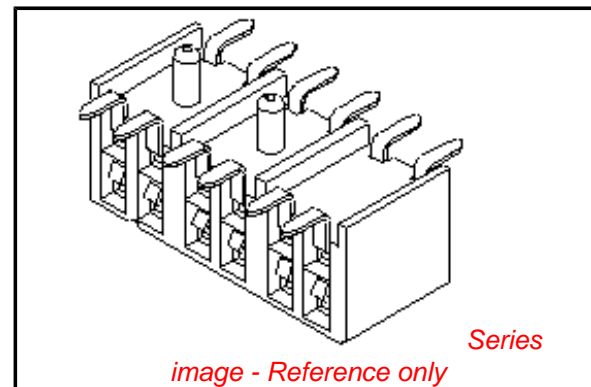
Electrical

Current - Maximum per Contact 1A
 Voltage - Maximum 125V

Material Info

Reference - Drawing Numbers

Product Specification PS-87264
 Sales Drawing SD-87368-6000



EU RoHS

**ELV and RoHS
 Compliant**
**REACH SVHC
 Not Reviewed**
**Halogen-Free
 Status**

China RoHS



**Need more information on product
 environmental compliance?**

Email productcompliance@molex.com
 For a multiple part number RoHS Certificate of
 Compliance, [click here](#)

Please visit the [Contact Us](#) section for any
 non-product compliance questions.

Search Parts in this Series

[87368Series](#)

Mates With

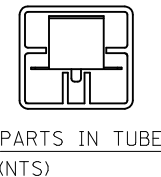
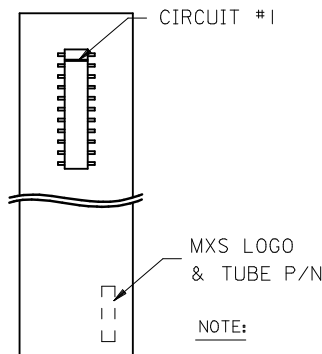
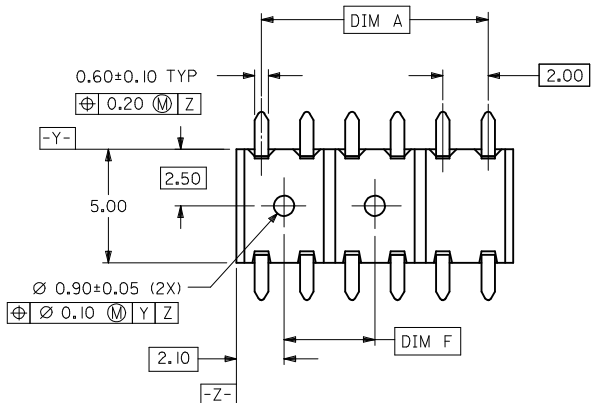
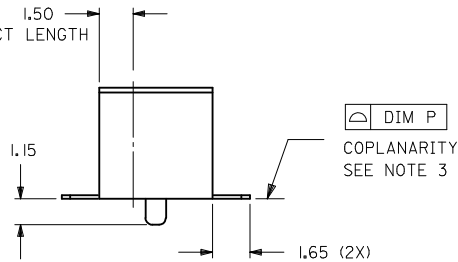
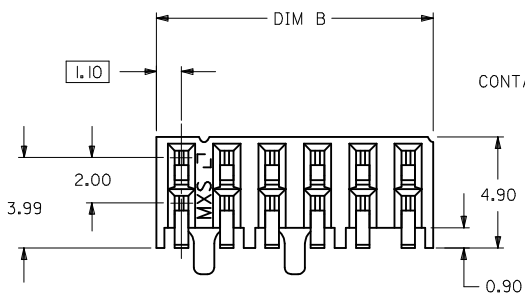
[87758](#) Vertical Through Hole PCB Headers,
[87759](#) Vertical Surface Mount PCB Headers,
[87760](#) Right Angle Through Hole PCB
 Headers

This document was generated on 05/04/2010

PLEASE CHECK WWW.MOLEX.COM FOR LATEST PART INFORMATION

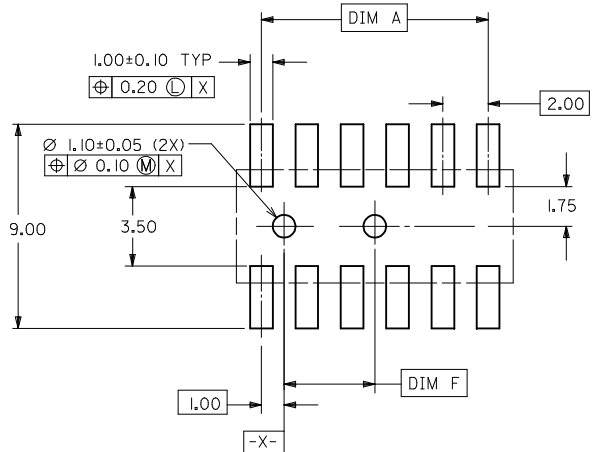
10 9 8 7 6 5 4 3 2 1

PART NO. TAPE/REEL	CKT	"A"	"B"	"F"	"P"	PLATE OPTION	PART NO. TUBE	T&R QTY PER REEL
87368-6122	10	8.00	10.20	4.00	0.10	D	87368-1025	750
87368-6100	12	10.00	12.20	4.00	0.13	C	87368-1224	750
87368-6101						D	87368-1225	
87368-6102	18	16.00	18.20	10.00	0.13	C	87368-1824	750
87368-6103						D	87368-1825	
87368-6111	22	20.00	22.20	14.00	0.13	C	87368-2224	750
87368-6112						D	87368-2225	
87368-6104	24	22.00	24.20	16.00	0.15	C	87368-2424	750
87368-6105						D	87368-2425	
87368-6134	44	42.00	44.20	36.00	0.15	C	87368-4424	650
87368-6135						D	87368-4425	
87368-6140	50	48.00	50.20	42.00	0.15	C	87368-5024	650
87368-6141						D	87368-5025	



- NOTE:**
- 1) 12 CIRCUIT SIZE SHOWN FOR ILLUSTRATION ONLY. SEE CHART FOR AVAILABLE PART SIZES.
 - 2) PLATING FINISH:
 - C - 0.38um/15uin MIN. GOLD IN CONTACT AREA
2.54um/100uin MIN. TIN IN SOLDER TAIL AREA
BOTH OVER 1.27um/50uin MIN. NICKEL OVERALL
 - D - 0.76um/30uin MIN. GOLD IN CONTACT AREA
2.54um/100uin MIN. TIN IN SOLDER TAIL AREA
BOTH OVER 1.27um/50uin MIN. NICKEL OVERALL

- 3) COPLANARITY OF SOLDER TAIL IS TO BE MEASURED BY RESTING THE PART ON A FLAT GAUGE SURFACE.
- 4) RECOMMENDED PC BOARD THICKNESS IS 1.60 ± 0.10mm.
- 5) PRODUCT SPECIFICATION PS-87264 APPLIES.
- 6) PART MATEABLE TO ALL MILLI-GRID HEADERS WITH MATING PIN LENGTH BETWEEN 2.50mm AND 4.20mm
- 7) PARTS SHALL BE PACKED IN MOISTURE BARRIER BAG.



RECOMMENDED P.C. BOARD LAYOUT

ADD 18 & 24 CKT EC NO: S2010-0248 DRWN:SKANG CHKD:ATSEE APPR:MLONG	QUALITY SYMBOLS ▽=0 ◻=0	GENERAL TOLERANCES (UNLESS SPECIFIED) mm INCH 4 PLACES ± --- ± --- 3 PLACES ± --- ± --- 2 PLACES ± 0.20 ± --- 1 PLACE ± --- ± --- ANGULAR ± 3°	DIMENSION STYLE MM ONLY DRAWN BY DATE SAMC 1996/01/18 CHECKED BY DATE SQUEK 1996/04/15 APPROVED BY DATE RWONG 1996/04/15	SCALE NTS	DESIGN UNITS METRIC	THIRD ANGLE PROJECTION
	MGRID 2MM DUAL ROW HEADER SIDE ENTRY RECEPT., SMT					
	MOLEX INCORPORATED					
	DRAFT WHERE APPLICABLE MUST REMAIN WITHIN DIMENSIONS				MATERIAL NO. SEE TABLE	DOCUMENT NO. SD-87368-6000

9 8 7 6 5 4 3 2 1

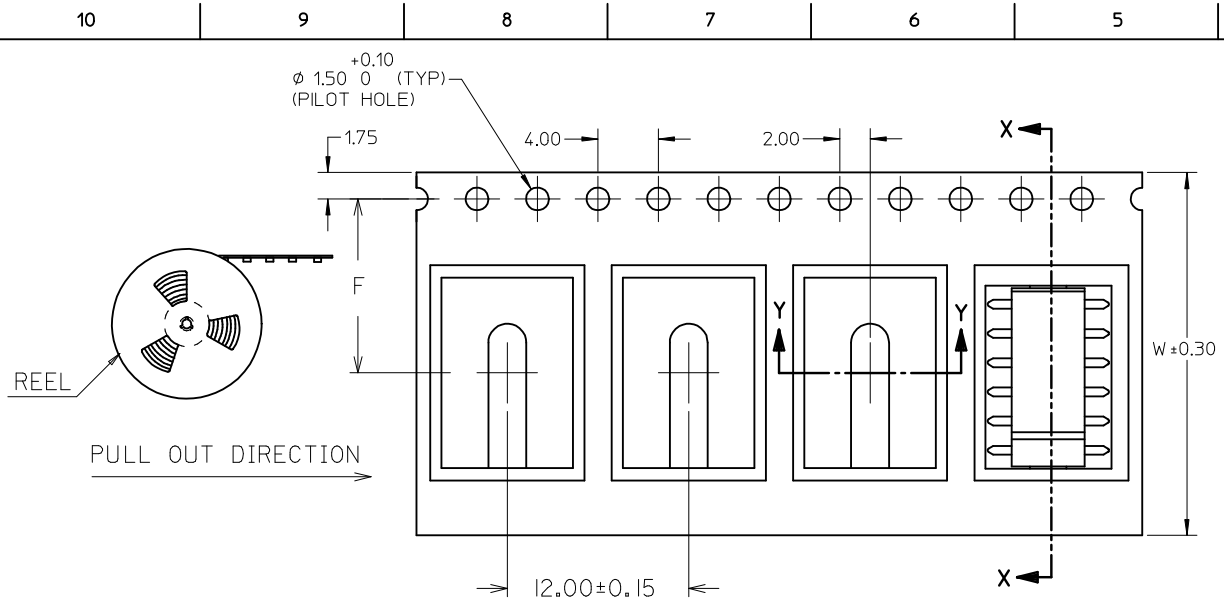
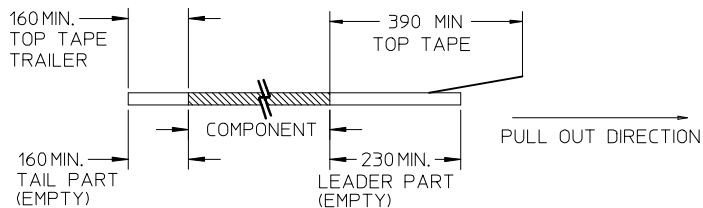


FIG 1 (FOR So DIM ILLUSTRATION)

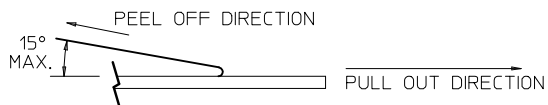
CKT SIZE	PART NO. TAPE/REEL	W	F	So	Bo	B ₁
10	87368-6122	24	11.50	NA	10.60	7.00
12	87368-6100	24	11.50	NA	12.60	9.00
	87368-6101	24	11.50	NA	12.60	9.00
18	87368-6102	32	14.20	28.40	18.60	15.00
	87368-6103	32	14.20	28.40	18.60	15.00
22	87368-6111	32	14.20	28.40	22.60	19.00
	87368-6112	32	14.20	28.40	22.60	19.00
24	87368-6104	44	20.20	40.40	24.60	21.00
	87368-6105	44	20.20	40.40	24.60	21.00
44	87368-6134	56	26.20	52.40	44.60	41.00
	87368-6135	56	26.20	52.40	44.60	41.00
50	87368-6140	72	34.20	68.40	50.60	47.00
	87368-6141	72	34.20	68.40	50.60	47.00

NOTES:

1. LEADER AND TRAILER TAPE

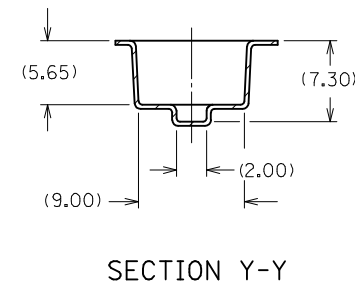
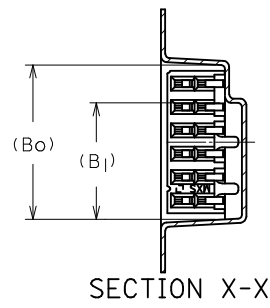
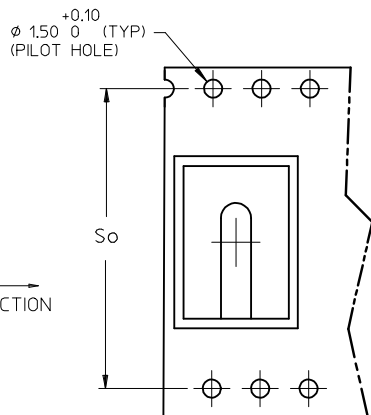


2. PEELING OFF FORCE OF THE TOP TAPE: 20-80gf. (PEELING DIRECTION AS SHOWN IN FOLLOWING FIGURE)



3. PACKAGING STANDARD IS AS PER EIA-481.

4. TAPE & REEL QUANTITY = SEE TABLE



ADD 18 & 24 CKT	REV	DESCRIPTION	QUALITY SYMBOLS	GENERAL TOLERANCES (UNLESS SPECIFIED)		DIMENSION STYLE		SCALE	DESIGN UNITS	THIRD ANGLE PROJECTION	
				mm	INCH	MM ONLY	NTS	METRIC	DATE	DATE	TITLE
D4	REV	DESCRIPTION	QUALITY SYMBOLS	4 PLACES	± ---	± ---	DRAWN BY	DATE	TITLE	MGRID 2MM DUAL ROW HEADER SIDE ENTRY RECEPT., SMT MOLEX INCORPORATED	
				3 PLACES	± ---	± ---	CHECKED BY	DATE			
				2 PLACES	± 0.20	± ---	SQUEK	DATE			
				1 PLACE	± ---	± ---	APPROVED BY	DATE			
				ANGULAR ± 3 °		RWONG	DATE				
DRAFT WHERE APPLICABLE MUST REMAIN WITHIN DIMENSIONS		MATERIAL NO.		DOCUMENT NO.		SHEET NO.					
SEE TABLE		SEE TABLE		SD-87368-6000		2 OF 2					
THIS DRAWING CONTAINS INFORMATION THAT IS PROPRIETARY TO MOLEX INCORPORATED AND SHOULD NOT BE USED WITHOUT WRITTEN PERMISSION											