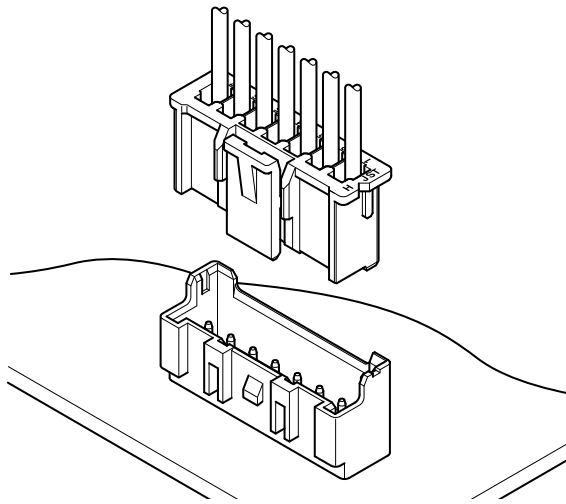
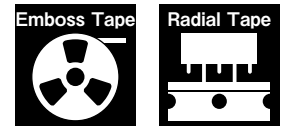


XA CONNECTOR

2.5 mm pitch/Disconnectable Crimp style connectors



- Secure locking device
- Solder crack preventive material
- Low insertion force
- Insertion guide mechanism
- Applicable to automatic board mounting machine
- Polarizing boss

Specifications

- Current rating: 3 A AC/DC (AWG #22, #20)
 - Voltage rating: 250 V AC/DC
 - Temperature range: -25°C to +85°C
(including temperature rise in applying electrical current)
 - Contact resistance: Initial value/ 10 mΩ max.
After environmental tests/ 20 mΩ max.
 - Insulation resistance: 1,000 MΩ min.
 - Withstanding voltage: 1,000 VAC/minute
 - Applicable wire: AWG #28 to #20
 - Applicable PC board thickness: 1.6 mm
- * In using the products, refer to "Handling Precautions for Terminals and Connectors" described on our website (Technical documents of Product information page).
- * RoHS2 compliance
- * Dimensional unit: mm
- * Contact JST for details.

Standards

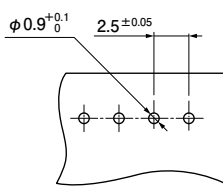
- Ⓜ Recognized E 60389
- Ⓢ Certified LR 20812
- Ⓡ R9851220

PC board layout and Assembly layout

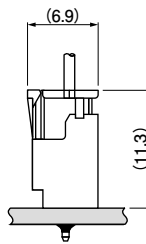
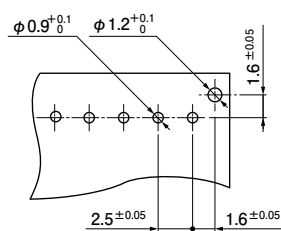
<Through-hole type>

Top entry type

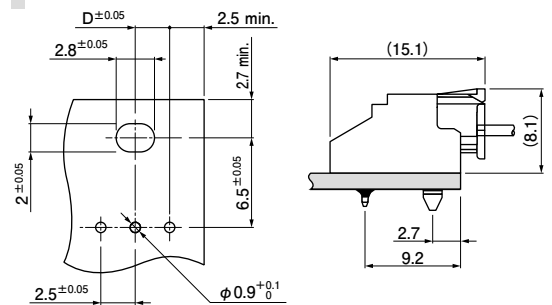
without a boss



with a boss



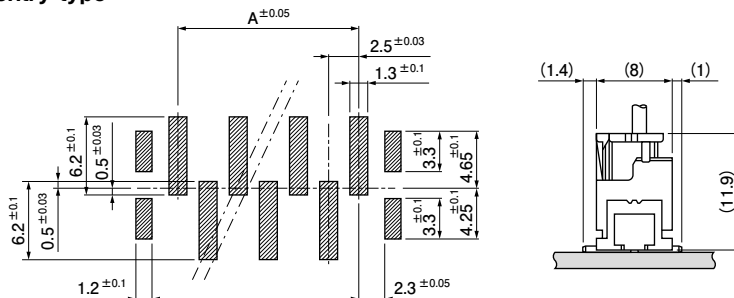
Side entry type



Dimension D: Refer to the Model No. chart of header side entry type.

<SMT type>

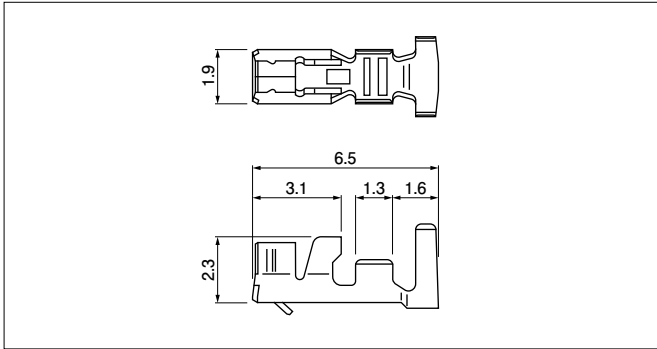
Top entry type



- Note: 1. The above figure is the figure viewed from the connector mounting side .
2. Tolerances are non-cumulative: ± 0.05 mm for all centers.
3. Hole dimensions differ according to the type of PC board and piercing method.
The dimensions above should serve as a guideline. Contact JST for details.

XA CONNECTOR

Contact



| Model No. | Applicable wire | | | Q'ty/reel |
|----------------|-----------------|-------|----------------------|-----------|
| | mm ² | AWG # | Insulation O.D. (mm) | |
| SXA-001T-P0.6 | 0.08~0.33 | 28~22 | 0.8~1.9 | 8,000 |
| SXA-01T-P0.6 | 0.22~0.5 | 24~20 | 1.5~1.9 | 8,000 |
| SXA-001T-P0.6L | 0.13~0.33 | 26~22 | 1.3~1.7 | 8,000 |

Material and Finish

Phosphor bronze, tin-plated (reflow treatment)

RoHS2 compliance

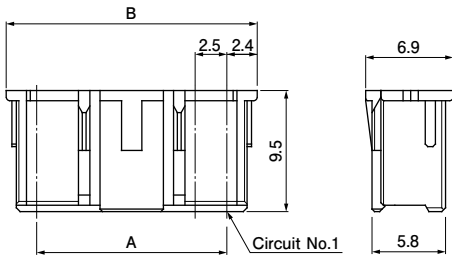
Note :1. SXA-001T-P0.6L is low-insertion force type contact, for easier insertion/withdrawal, which would be less resistant to the vibration. The crimp height is different from the standard contact.
2. Contact JST for gold-plated products.

| Contact | Crimping machine | Applicator | | |
|----------------|------------------|------------------|------------------|----------------------------|
| | | Crimp applicator | Dies | Crimp applicator with dies |
| SXA-001T-P0.6 | AP-K2N | MKS-L | MK/SXA/M-001-06 | APLMK SXA/M001-06 |
| SXA-01T-P0.6 | | | MK/SXA/M-01-06 | APLMK SXA/M01-06 |
| SXA-001T-P0.6L | | | MK/SXA/M-001-06L | APLMK SXA/M001-06L |

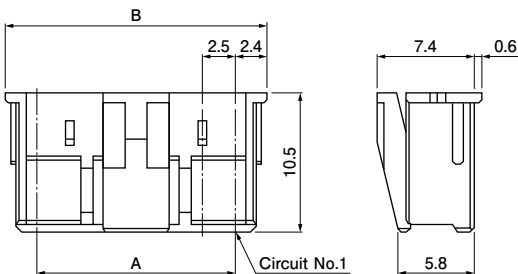
Note: Contact JST for fully automatic crimping applicator.

Housing

Standard type



Retainer mountable type



| No. of circuits | Model No. | | Dimensions (mm) | | Q'ty/bag | |
|-----------------|---------------|-------------------------|-----------------|------|---------------|-------------------------|
| | Standard type | Retainer mountable type | A | B | Standard type | Retainer mountable type |
| 2 | XAP-02V-1 | XARP-02V | 2.5 | 7.3 | 1,000 | 1,000 |
| 3 | XAP-03V-1 | XARP-03V | 5.0 | 9.8 | 1,000 | 1,000 |
| 4 | XAP-04V-1 | XARP-04V | 7.5 | 12.3 | 1,000 | 1,000 |
| 5 | XAP-05V-1 | XARP-05V | 10.0 | 14.8 | 1,000 | 1,000 |
| 6 | XAP-06V-1 | XARP-06V | 12.5 | 17.3 | 1,000 | 1,000 |
| 7 | XAP-07V-1 | XARP-07V | 15.0 | 19.8 | 1,000 | 1,000 |
| 8 | XAP-08V-1 | XARP-08V | 17.5 | 22.3 | 1,000 | 1,000 |
| 9 | XAP-09V-1 | XARP-09V | 20.0 | 24.8 | 1,000 | 1,000 |
| 10 | XAP-10V-1 | XARP-10V | 22.5 | 27.3 | 1,000 | 1,000 |
| 11 | XAP-11V-1 | XARP-11V | 25.0 | 29.8 | 1,000 | 1,000 |
| 12 | XAP-12V-1 | XARP-12V | 27.5 | 32.3 | 1,000 | 1,000 |
| 13 | XAP-13V-1 | XARP-13V | 30.0 | 34.8 | 1,000 | 1,000 |
| 14 | XAP-14V-1 | XARP-14V | 32.5 | 37.3 | 500 | 1,000 |
| 15 | XAP-15V-1 | XARP-15V | 35.0 | 39.8 | 500 | 1,000 |
| 18 | — | XARP-18V | 42.5 | 47.3 | — | 500 |
| 20 | XAP-20V-1 | — | 47.5 | 52.3 | 500 | — |

Material and Finish

PA 66, UL94V-0, natural (white)

RoHS2 compliance

<For reference> As the color identification, the following alphabet shall be put in the underlined part. For availability, delivery and minimum order quantity, contact JST.

<Standard type>

ex. XAP-02V-1-oo

(blank) ...natural (white)

K...black R...red E...blue Y...yellow L...lemon yellow

M...green O...orange N...brown H...gray P...purple

LE...light blue PK...pink FY...vivid yellow Z...ivory

<Retainer mountable type>

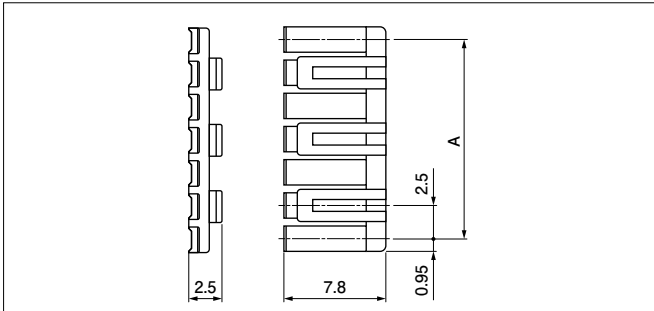
ex. XARP-02V-oo

(blank) ...natural (white)

K...black R...red E...blue L...lemon yellow

XA CONNECTOR

Retainer



Material and Finish

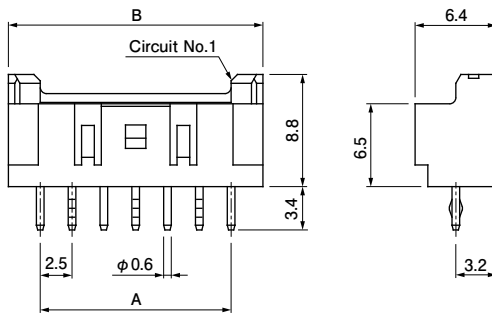
Glass-filled PA 66, UL94V-0, natural (ivory)

RoHS2 compliance

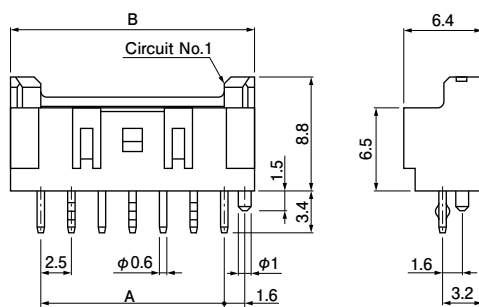
| No. of circuits | Model No. | A | Q'ty/bag |
|-----------------|-----------|------|----------|
| 2 | XMS-02V | 2.5 | 1,000 |
| 3 | XMS-03V | 5.0 | 1,000 |
| 4 | XMS-04V | 7.5 | 1,000 |
| 5 | XMS-05V | 10.0 | 1,000 |
| 6 | XMS-06V | 12.5 | 1,000 |
| 7 | XMS-07V | 15.0 | 1,000 |
| 8 | XMS-08V | 17.5 | 1,000 |
| 9 | XMS-09V | 20.0 | 1,000 |
| 10 | XMS-10V | 22.5 | 1,000 |
| 11 | XMS-11V | 25.0 | 1,000 |
| 12 | XMS-12V | 27.5 | 1,000 |
| 13 | XMS-13V | 30.0 | 1,000 |
| 14 | XMS-14V | 32.5 | 1,000 |
| 15 | XMS-15V | 35.0 | 1,000 |

Through-hole type shrouded header

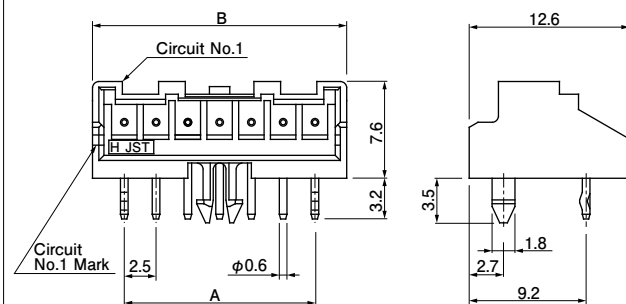
Top entry type without a boss



Top entry type with a boss



Side entry type with a hook



| No. of circuits | Model No. | | Dimensions (mm) | | Q'ty/box |
|-----------------|----------------|---------------|-----------------|------|----------|
| | Top entry type | | A | B | |
| | Without a boss | With a boss | | | |
| 2 | B02B-XASK-1 | B02B-XASK-1-A | 2.5 | 7.5 | 1,000 |
| 3 | B03B-XASK-1 | B03B-XASK-1-A | 5.0 | 10.0 | 400 |
| 4 | B04B-XASK-1 | B04B-XASK-1-A | 7.5 | 12.5 | 400 |
| 5 | B05B-XASK-1 | B05B-XASK-1-A | 10.0 | 15.0 | 400 |
| 6 | B06B-XASK-1 | B06B-XASK-1-A | 12.5 | 17.5 | 400 |
| 7 | B07B-XASK-1 | B07B-XASK-1-A | 15.0 | 20.0 | 250 |
| 8 | B08B-XASK-1 | B08B-XASK-1-A | 17.5 | 22.5 | 250 |
| 9 | B09B-XASK-1 | B09B-XASK-1-A | 20.0 | 25.0 | 250 |
| 10 | B10B-XASK-1 | B10B-XASK-1-A | 22.5 | 27.5 | 250 |
| 11 | B11B-XASK-1 | B11B-XASK-1-A | 25.0 | 30.0 | 200 |
| 12 | B12B-XASK-1 | B12B-XASK-1-A | 27.5 | 32.5 | 200 |
| 13 | B13B-XASK-1 | B13B-XASK-1-A | 30.0 | 35.0 | 100 |
| 14 | B14B-XASK-1 | B14B-XASK-1-A | 32.5 | 37.5 | 100 |
| 15 | B15B-XASK-1 | B15B-XASK-1-A | 35.0 | 40.0 | 100 |
| 20 | B20B-XASK-1 | B20B-XASK-1-A | 47.5 | 52.5 | 100 |

Material and Finish

Pin: Copper alloy, copper-undercoated, tin-plated (reflow treatment)
Wafer: Glass-filled PA 66, UL94V-0, natural (ivory)

RoHS2 compliance This product displays (LF)(SN) on a label.
Note: Contact JST for gold-plated products.

| No. of circuits | Model No. | Dimensions (mm) | | | Q'ty/box |
|-----------------|-------------|-----------------|------|-------|----------|
| | | A | B | D | |
| 2 | S02B-XASS-1 | 2.5 | 7.5 | 1.25 | 250 |
| 3 | S03B-XASK-1 | 5.0 | 10.0 | 2.50 | 250 |
| 4 | S04B-XASK-1 | 7.5 | 12.5 | 3.75 | 200 |
| 5 | S05B-XASK-1 | 10.0 | 15.0 | 5.00 | 200 |
| 6 | S06B-XASK-1 | 12.5 | 17.5 | 6.25 | 200 |
| 7 | S07B-XASK-1 | 15.0 | 20.0 | 7.50 | 200 |
| 8 | S08B-XASK-1 | 17.5 | 22.5 | 8.75 | 100 |
| 9 | S09B-XASK-1 | 20.0 | 25.0 | 10.00 | 100 |
| 10 | S10B-XASK-1 | 22.5 | 27.5 | 11.25 | 100 |
| 11 | S11B-XASK-1 | 25.0 | 30.0 | 12.50 | 100 |
| 12 | S12B-XASK-1 | 27.5 | 32.5 | 13.75 | 100 |
| 13 | S13B-XASK-1 | 30.0 | 35.0 | 15.00 | 100 |
| 14 | S14B-XASK-1 | 32.5 | 37.5 | 16.25 | 100 |

Material and Finish

Pin: Copper alloy, copper-undercoated, tin-plated (reflow treatment)
Wafer: Glass-filled PA 66, UL94V-0, natural (ivory)

RoHS2 compliance This product displays (LF)(SN) on a label.
Note: 1. Dimension D...See PC board layout.

2. Contact JST for gold-plated products.

<For reference> As the color identification, the following alphabet shall be put in the underlined part.
For availability, delivery and minimum order quantity, contact JST.

ex. S02B-XASK-1

S...natural (ivory)

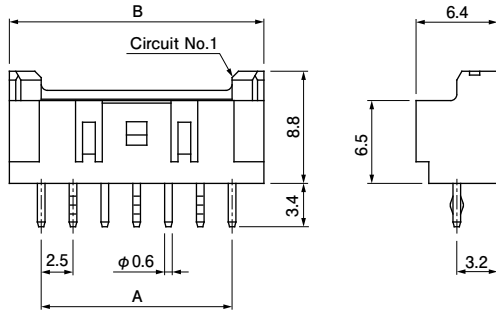
K...black R...red E...blue M...green Y...yellow

XA CONNECTOR

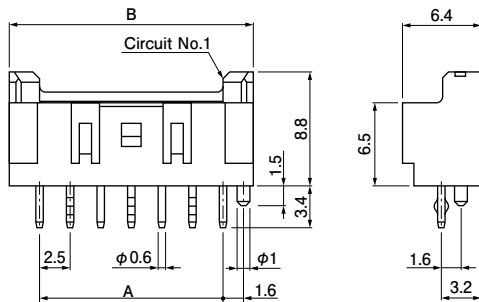
Through-hole type shrouded header

N type

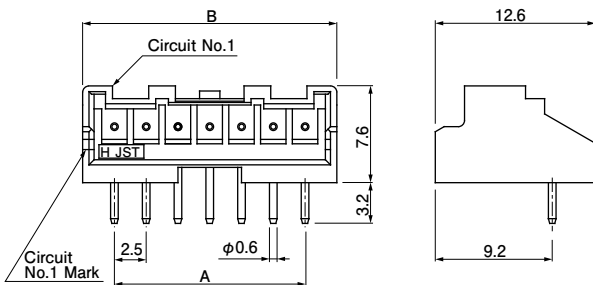
Top entry type without a boss



Top entry type with a boss



Side entry type without a hook



| No. of circuits | Model No. | | Dimensions (mm) | | Q'ty/box |
|-----------------|----------------|----------------|-----------------|------|----------|
| | Top entry type | | A | B | |
| | Without a boss | With a boss | | | |
| 2 | B02B-XASK-1N | B02B-XASK-1N-A | 2.5 | 7.5 | 1,000 |
| 3 | B03B-XASK-1N | B03B-XASK-1N-A | 5.0 | 10.0 | 400 |
| 4 | B04B-XASK-1N | B04B-XASK-1N-A | 7.5 | 12.5 | 400 |
| 5 | B05B-XASK-1N | B05B-XASK-1N-A | 10.0 | 15.0 | 400 |
| 6 | B06B-XASK-1N | B06B-XASK-1N-A | 12.5 | 17.5 | 400 |
| 7 | B07B-XASK-1N | B07B-XASK-1N-A | 15.0 | 20.0 | 250 |
| 8 | B08B-XASK-1N | B08B-XASK-1N-A | 17.5 | 22.5 | 250 |
| 9 | B09B-XASK-1N | B09B-XASK-1N-A | 20.0 | 25.0 | 250 |
| 10 | B10B-XASK-1N | B10B-XASK-1N-A | 22.5 | 27.5 | 250 |
| 11 | B11B-XASK-1N | B11B-XASK-1N-A | 25.0 | 30.0 | 200 |
| 12 | B12B-XASK-1N | B12B-XASK-1N-A | 27.5 | 32.5 | 200 |
| 13 | B13B-XASK-1N | B13B-XASK-1N-A | 30.0 | 35.0 | 100 |
| 14 | B14B-XASK-1N | B14B-XASK-1N-A | 32.5 | 37.5 | 100 |
| 15 | B15B-XASK-1N | B15B-XASK-1N-A | 35.0 | 40.0 | 100 |
| 18 | B18B-XASK-1N | — | 42.5 | 47.5 | 100 |

Material and Finish

Pin: Copper alloy, copper-undercoated, tin-plated (reflow treatment)
Wafer: Glass-filled PA 66, UL94V-0, natural (white)

RoHS2 compliance This product displays (LF)(SN) on a label.

<For reference> As the color identification, the following alphabet shall be put in the underlined part. For availability, delivery and minimum order quantity, contact JST.

- ex. **B02B-XASK-1N-A**
 S...natural (white)
 K...black R...red E...blue Y...yellow L...lemon yellow
 M...green O...orange N...brown H...gray P...purple
 LE...light blue PK...pink FY...vivid yellow

| No. of circuits | Model No. | Dimensions (mm) | | Q'ty/box |
|-----------------|--------------------------------|-----------------|------|----------|
| | Side entry type without a hook | A | B | |
| 2 | S02B-XASS-1N-BN | 2.5 | 7.5 | 250 |
| 3 | S03B-XASS-1N-BN | 5.0 | 10.0 | 250 |
| 4 | S04B-XASS-1N-BN | 7.5 | 12.5 | 200 |
| 5 | S05B-XASS-1N-BN | 10.0 | 15.0 | 200 |
| 6 | S06B-XASS-1N-BN | 12.5 | 17.5 | 200 |
| 7 | S07B-XASS-1N-BN | 15.0 | 20.0 | 200 |
| 8 | S08B-XASS-1N-BN | 17.5 | 22.5 | 100 |
| 9 | S09B-XASS-1N-BN | 20.0 | 25.0 | 100 |
| 10 | S10B-XASS-1N-BN | 22.5 | 27.5 | 100 |
| 11 | S11B-XASS-1N-BN | 25.0 | 30.0 | 100 |
| 12 | S12B-XASS-1N-BN | 27.5 | 32.5 | 100 |
| 13 | S13B-XASS-1N-BN | 30.0 | 35.0 | 100 |
| 14 | S14B-XASS-1N-BN | 32.5 | 37.5 | 100 |

Material and Finish

Pin: Copper alloy, copper-undercoated, tin-plated (reflow treatment)
Wafer: Glass-filled PA 66, UL94V-0, natural (white)

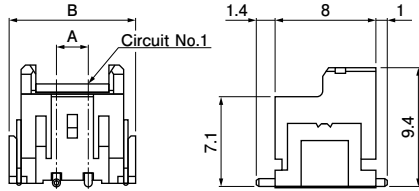
RoHS2 compliance This product displays (LF)(SN) on a label.

Note: 1. As for side entry type, we recommend to use a product with a boss (hook) because stress is applied directly to fillet part when handling the wire. When using the side entry type product without a boss (hook), please handle the wire with care.

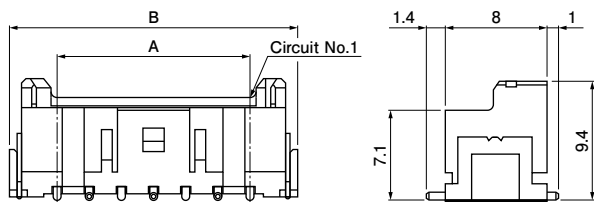
XA CONNECTOR

SMT type shrouded header

<2 circuits>



<3 to 9, 12, 13, 15 circuits>



| No. of circuits | Model No. | Dimensions (mm) | | Q'ty/reel |
|-----------------|---------------|-----------------|------|-----------|
| | | A | B | |
| 2 | BM02B-XASS-TF | 2.5 | 10.0 | 500 |
| 3 | BM03B-XASS-TF | 5.0 | 12.5 | 500 |
| 4 | BM04B-XASS-TF | 7.5 | 15.0 | 500 |
| 5 | BM05B-XASS-TF | 10.0 | 17.5 | 500 |
| 6 | BM06B-XASS-TF | 12.5 | 20.0 | 500 |
| 7 | BM07B-XASS-TF | 15.0 | 22.5 | 500 |
| 8 | BM08B-XASS-TF | 17.5 | 25.0 | 500 |
| 9 | BM09B-XASS-TF | 20.0 | 27.5 | 500 |
| 12 | BM12B-XASS-TF | 27.5 | 35.0 | 500 |
| 13 | BM13B-XASS-TF | 30.0 | 37.5 | 500 |
| 15 | BM15B-XASS-TF | 35.0 | 42.5 | 500 |

Material and Finish

Pin: Copper alloy, copper-undercoated, tin-plated (reflow treatment)
 Wafer: PA, UL94V-0, natural
 Solder tab: Brass, copper-undercoated, tin-plated (reflow treatment)

RoHS2 compliance This product displays (LF)(SN) on a label.

<For reference> As the color identification, the following alphabet shall be put in the underlined part. For availability, delivery and minimum order quantity, contact JST.

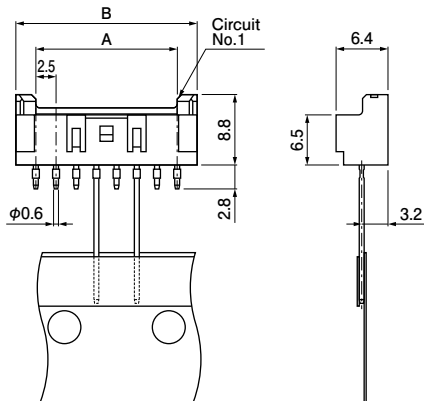
ex. **BM02B-XASS-TF**

S...natural

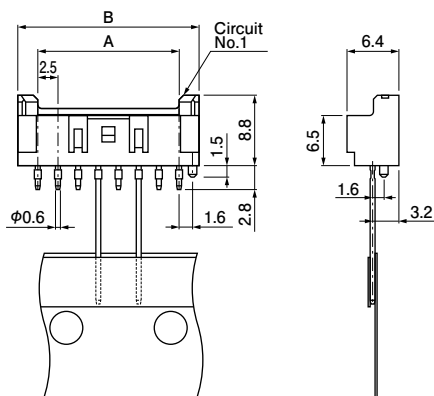
K...black R...red E...blue

Through-hole type shrouded header on radial-tape

Top entry type without a boss



Top entry type with a boss



| No. of circuits | Model No. | | Dimensions (mm) | | Q'ty/box |
|-----------------|-------------------------------|----------------------------|-----------------|------|----------|
| | Top entry type without a boss | Top entry type with a boss | A | B | |
| 2 | B02B-XASS-1-T | — | 2.5 | 7.5 | 1,000 |
| 3 | B03B-XASS-1-T | B03B-XASS-1-A-T | 5.0 | 10.0 | 1,000 |
| 4 | B04B-XASS-1-T | B04B-XASS-1-A-T | 7.5 | 12.5 | 500 |
| 5 | B05B-XASS-1-T | B05B-XASS-1-A-T | 10.0 | 15.0 | 500 |
| 6 | B06B-XASS-1-T | B06B-XASS-1-A-T | 12.5 | 17.5 | 500 |
| 7 | B07B-XASS-1-T | B07B-XASS-1-A-T | 15.0 | 20.0 | 500 |
| 8 | B08B-XASS-1-T | B08B-XASS-1-A-T | 17.5 | 22.5 | 500 |

Material and Finish

Pin: Copper alloy, copper-undercoated, tin-plated (reflow treatment)
 Wafer: Glass-filled PA 66, UL94V-0, natural (ivory)

RoHS2 compliance This product displays (LF)(SN) on a label.

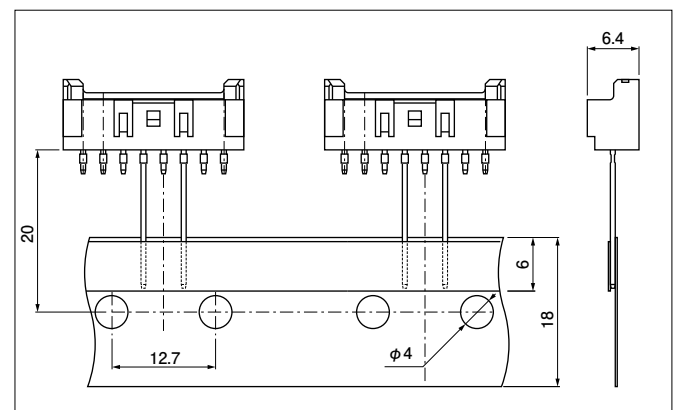
<For reference> As the color identification, the following alphabet shall be put in the underlined part. For availability, delivery and minimum order quantity, contact JST.

ex. **B03B-XASS-1-A-T**

S...natural (ivory)

R...red E...blue M...green

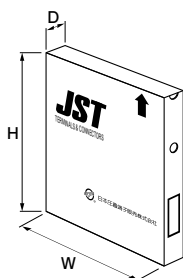
Taping specifications



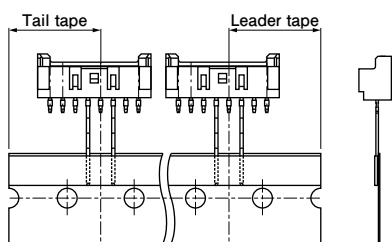
Note: Conforms to JIC C 0806 of "Tape packaging of components with unidirectional leads on continuous tapes".

XA CONNECTOR

Packaging specifications



Distance between the end of the tape and the first connector's center line (either end)



| | | |
|---|---------------------------------------|----------------|
| Package type | Flat pack (zigzag folded) | |
| Distance between folds | 24 indexing holes per fold (304.8 mm) | |
| Box size | 316(W) × 45(D) × 330(H) mm | |
| Distance between the end of the tape and the first connector's center line (either end) | 19.05 mm | |
| Quantity | 2, 3 circuits | 1,000 pcs./box |
| | 4 to 8 circuits | 500 pcs./box |

Note: Products of different packaging specifications are also available. Contact JST for details.